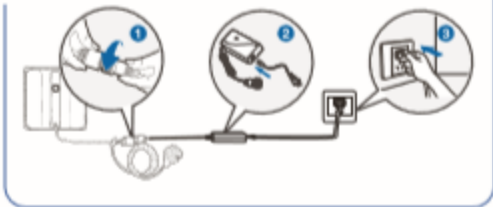
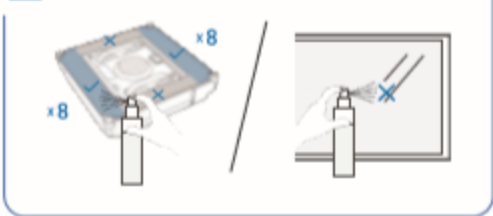




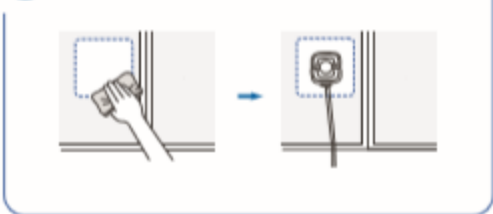
1 Connect power cord, adapter and plug



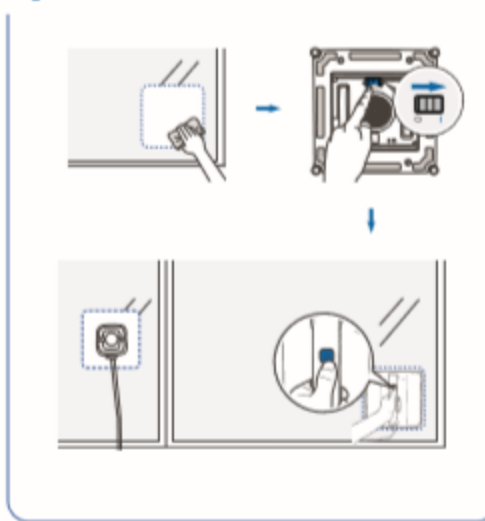
2 Spray cleaning solution



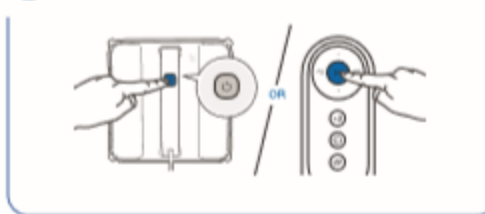
3 Attach safety pod



4 Start



5 Pause



6 Finish

