



DEEBOT TURBO

**Instruction Manual/Bedienungsanleitung/Manual de instrucciones/
Manuel d'instructions/Manuale d'uso/Руководство по эксплуатации/
Instrukcja obsługi/Gebruiksaanwijzing**

Important Safety Instructions

IMPORTANT SAFETY INSTRUCTIONS

When using an electrical Appliance, basic precautions should always be followed, including the following:

READ ALL INSTRUCTIONS BEFORE USING THIS APPLIANCE

SAVE THESE INSTRUCTIONS

1. This Appliance can be used by children aged from 8 years and above and persons with reduced physical, sensory or mental capabilities or lack of experience and knowledge if they have been given supervision or instruction concerning use of the Appliance in a safe way and understand the hazards involved. Children shall not play with the Appliance. Cleaning and user maintenance shall not be made by children without supervision.
2. Clear the area to be cleaned. Remove power cords and small objects from the floor that could entangle the Appliance. Tuck rug fringe under the rug base, and lift items such as curtains and tablecloths off the floor.
3. If there is a drop off in the cleaning area due to a step or stairs, you should operate the Appliance to ensure that it can detect the step without falling over the edge. It may become necessary to place a physical barrier at the edge to keep the unit from falling. Make sure the physical barrier is not a trip hazard.
4. Only use as described in this manual. Only use attachments recommended or sold by the manufacturer.
5. Please make sure your power supply source voltage matches the power voltage marked on the Clean Station.
6. For INDOOR household use ONLY. Do not use the Appliance in outdoor, commercial or industrial environments.
7. Use only the original rechargeable battery and Clean Station provided with the Appliance from the manufacturer. Non-rechargeable batteries are prohibited.
8. Do not use without dust bin and/or filters in place.

9. Do not operate the Appliance in an area where there are lit candles or fragile objects.
10. Do not use in extremely hot or cold environments (below $-5^{\circ}\text{C}/23^{\circ}\text{F}$ or above $40^{\circ}\text{C}/104^{\circ}\text{F}$).
11. Keep hair, loose clothing, fingers, and all parts of body away from any openings and moving parts.
12. Do not operate the Appliance in a room where an infant or child is sleeping.
13. Do not use Appliance on wet surfaces or surfaces with standing water.
14. Do not allow the Appliance to pick up large objects like stones, large pieces of paper or any item that may clog the Appliance.
15. Do not use Appliance to pick up flammable or combustible materials such as gasoline, printer or copier toner, or use in areas where they may be present.
16. Do not use Appliance to pick up anything that is burning or smoking, such as cigarettes, matches, hot ashes, or anything that could cause a fire.
17. Do not put objects into the suction intake. Do not use if the suction intake is blocked. Keep the intake clear of dust, lint, hair, or anything that may reduce air flow.
18. Take care not to damage the power cord. Do not pull on or carry the Appliance or Clean Station by the power cord, use the power cord as a handle, close a door on the power cord, or pull power cord around sharp edges or corners. Do not run Appliance over the power cord. Keep power cord away from hot surfaces.
19. If the power cord is damaged, it must be replaced by the manufacturer or its service agent in order to avoid a hazard.
20. Do not use the Clean Station if it is damaged. The power supply is not to be repaired and not to be used any longer if it is damaged or defective.
21. Do not use with a damaged power cord or receptacle. Do not use the Appliance or Clean Station if it is not working properly, has been dropped, damaged, left outdoors, or come in contact with water.

It must be repaired by the manufacturer or its service agent in order to avoid a hazard.

22. Turn OFF the power switch before cleaning or maintaining the Appliance.
23. The plug must be removed from the receptacle before cleaning or maintaining the Clean Station.
24. Remove the Appliance from the Clean Station, and turn OFF the power switch to the Appliance before removing the battery for disposal of the Appliance.
25. The battery must be removed and discarded according to local laws and regulations before disposal of the Appliance.
26. Please dispose of used batteries according to local laws and regulations.
27. Do not incinerate the Appliance even if it is severely damaged. The batteries can explode in a fire.
28. When not using the Clean Station for a long period of time, please unplug it.
29. The Appliance must be used in accordance with the directions in this Instruction Manual. ECOVACS ROBOTICS cannot be

held liable or responsible for any damages or injuries caused by improper use.

30. The robot contains batteries that are only replaceable by skilled persons. To replace the robot's battery, please contact Customer Service.
31. If the robot will not be used for a long time, power OFF the robot for storage and unplug the Clean Station.
- 32. WARNING:** For the purposes of recharging the battery, only use the detachable supply unit CH2128 provided with the Appliance.

To satisfy RF exposure requirements, a separation distance of 20 cm or more should be maintained between this device and persons during device operation.







To ensure compliance, operations at closer than this distance is not recommended. The antenna used for this transmitter must not be co-located in conjunction with any other antenna or transmitter.

Device Update

Typically, some devices are updated bi-monthly, but not always so specific.

Some devices, especially those that went on sale

more than three years ago, will only be updated if a critical vulnerability is found and fixed.

	Class II
	Short-circuit-proof safety isolating transformer
	Switch mode power supply
	For indoor use only
	Direct current
	Alternating current

For EU Countries

For EU Declaration of Conformity information, visit <https://www.ecovacs.com/global/compliance>.

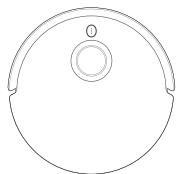


Correct Disposal of this Product

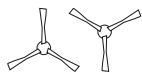
This marking indicates that this product should not be disposed of with other household waste throughout the EU. To prevent possible harm to the environment or human health from uncontrolled waste disposal, recycle it responsibly to promote the sustainable reuse of material resources. To recycle your used device, please use the return and collection systems or contact the retailer where the product was purchased. They can safely recycle this product.

The remote surveillance is for the absolute private use of non-public, private owned places for the pure self-protection and single control intended only. Please be aware of the local data protection based legal obligations in case of use. No surveillance of public places, especially with clandestine intent and/or on the part of the employer without justified reasons. Such not justified use is in the risk and responsibility of the user only.

Package Contents



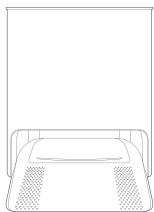
Robot



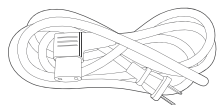
Dual Side Brushes



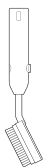
Washable Mopping Pads



Clean Station



Power Cord



Cleaning Brush



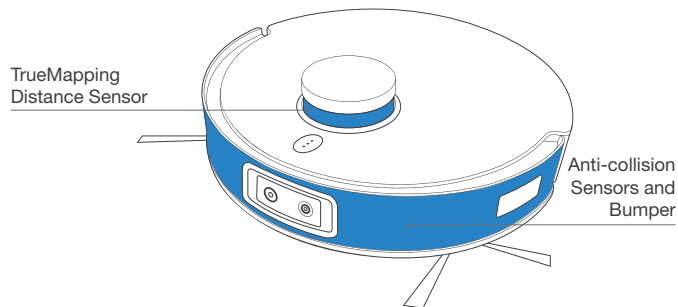
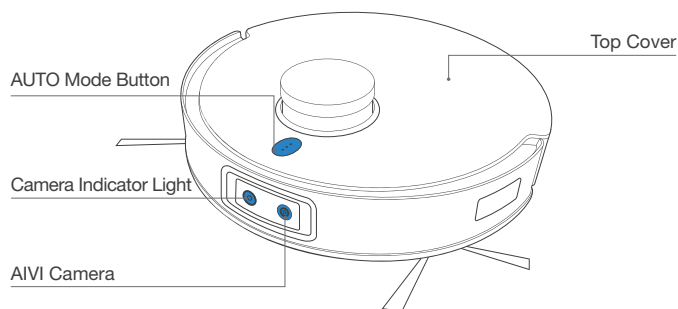
Instruction Manual



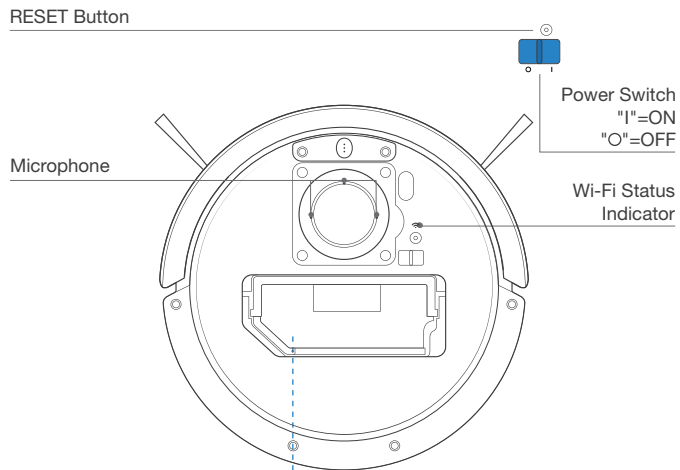
Multi-Function Cleaning Tool

Product Diagram

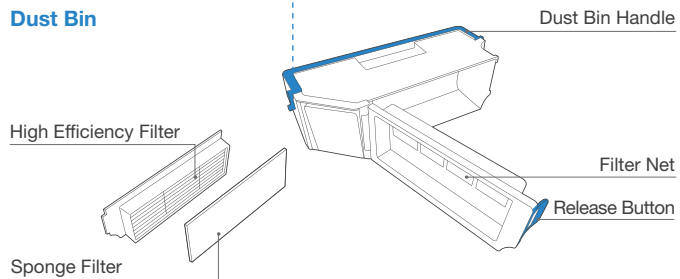
Robot



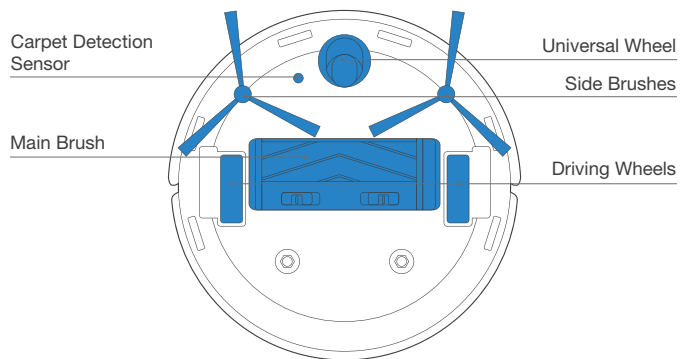
Note: Figures and illustrations are for reference only and may differ from actual product appearance. Product design and specifications are subject to changes without notice.



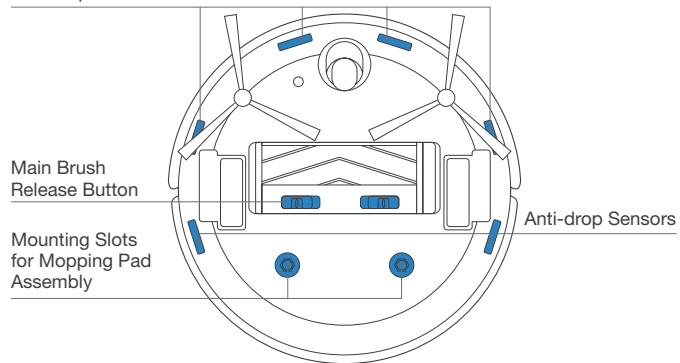
Dust Bin

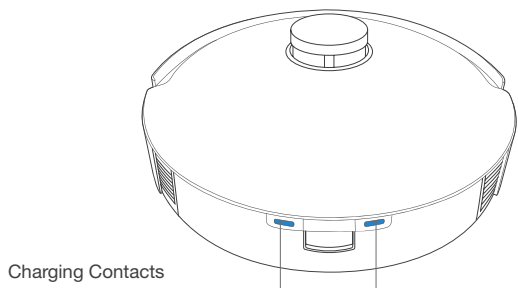


Bottom View

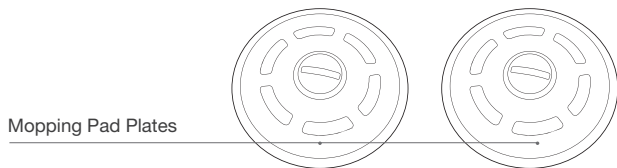
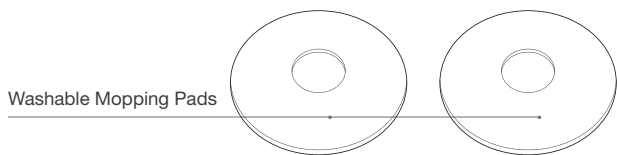


Anti-drop Sensors

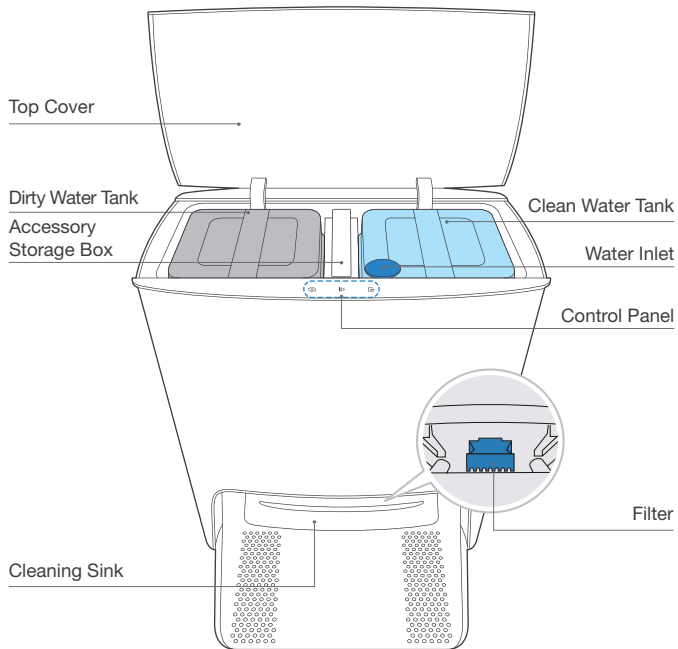




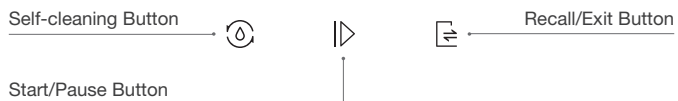
Mopping Pad Assembly



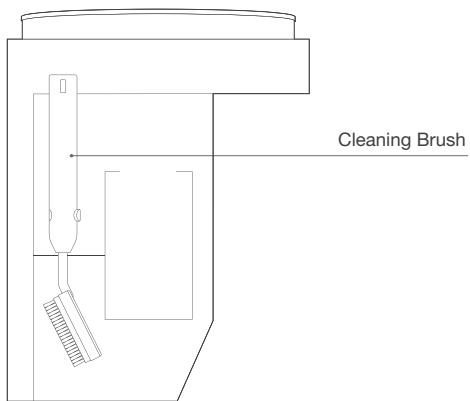
Clean Station



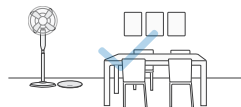
Control Panel Button



Accessory Storage Box



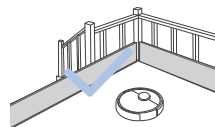
Notes Before Cleaning



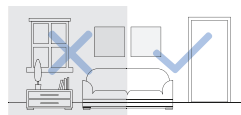
Tidy up the area to be cleaned by putting furniture, such as chairs, in their proper place.



During the first use, make sure each room door is open to help DEEBOT fully explore your house.



It may be necessary to place a physical barrier at the edge of a drop to stop the unit from falling over the edge.



Make sure areas to be cleaned are well illuminated so AIVI Camera works properly. Remove power cords and small objects from the floor to ensure cleaning efficiency.



Put away objects including cables, cloths and slippers, etc. on the floor to improve the cleaning efficiency.



Clean the AIVI Camera and TrueMapping Distance Sensor with a clean cloth, and avoid using any detergent or cleaning spray.



Before using the product on a rug with tasseled edges, please fold the rug edges under.



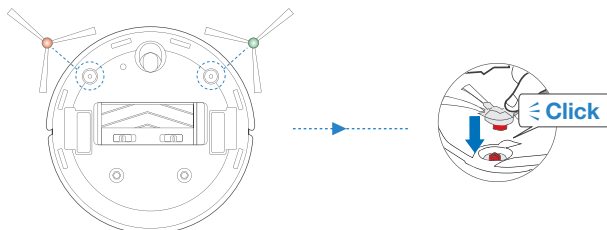
Please do not stand in narrow spaces, such as hallways, and make sure not to block the AIVI Camera.

Quick Start

Before using DEEBOT, please remove all protective films or protective strips on DEEBOT and Clean Station.

Install the Side Brush

Make sure the color of Side Brush is consistent with that of mounting slot.



ECOVACS HOME App

To enjoy all available features, it is recommended to control your DEEBOT via the ECOVACS HOME app.

Before you start, make sure that:

- Your mobile phone is connected to a Wi-Fi network.
- The 2.4GHz or 2.4/5 GHz band wireless signal is enabled on your router.
- The Wi-Fi indicator light on DEEBOT is slowly flashing.



Wi-Fi Indicator Light

	Slowly flashing	Disconnected to Wi-Fi or waiting for Wi-Fi connection
	Rapidly flashing	Connecting to Wi-Fi
	Solid	Connected to Wi-Fi

Wi-Fi Connection

Before Wi-Fi setup, make sure DEEBOT, mobile phone, and Wi-Fi network meet the following requirements.

DEEBOT and Mobile Phone Requirements

- DEEBOT is fully charged and the power switch of DEEBOT is turned on.
- Wi-Fi status light slowly flashes.
- Turn off mobile phone's cellular data (you can turn it back on after setup).

Wi-Fi Network Requirements

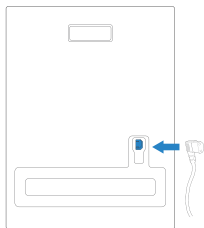
- You are using a 2.4GHz or 2.4/5 GHz mixed network.
- Your router supports 802.11b/g/n and IPv4 protocol.
- Do not use a VPN (Virtual Private Network) or Proxy Server.
- Do not use a hidden network.
- WPA and WPA2 using TKIP, PSK, AES/CCMP encryption.
- WEP EAP (Enterprise Authentication Protocol) is not supported.
- Use Wi-Fi channels 1-11 in North America and channels 1-13 outside North America (refer to local regulatory agency).
- If you are using a network extender/repeater, the network name (SSID) and password are the same as your primary network.

After Wi-Fi connection, DEEBOT will enter into Networked Standby mode if it has no signal input within 10 minutes.

Please be aware that the realization of intelligent functions such as remote startup, voice interaction, 2D/3D map display and control settings, and personalized cleaning (depending on different products) requires users to download and use ECOVACS HOME App, which is constantly updated. You need to agree to our Privacy Policy and User Agreement before we can process some of your basic and necessary information and enable you to operate the product through ECOVACS HOME App. If you do not agree with our Privacy Policy and User Agreement, some of the aforementioned intelligent functions cannot be realized through ECOVACS HOME App, but you can still use the basic functions of this product for manual operation.

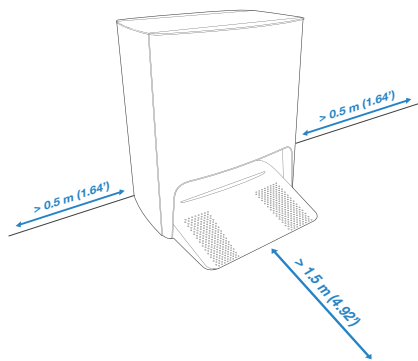
Charging DEEBOT

1 Assemble Clean Station



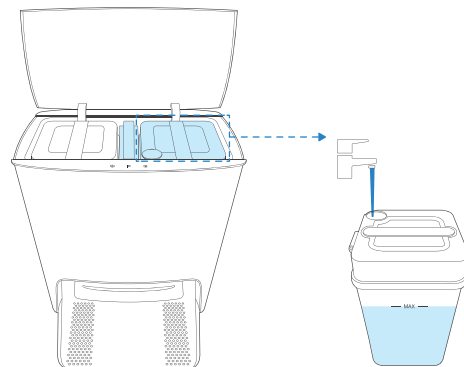
2 Clean Station Placement

Keep the area around the Station clear of objects and reflective object surfaces.



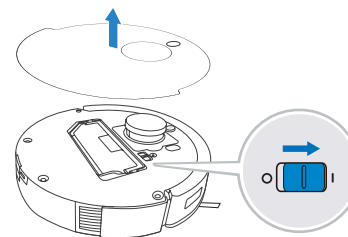
* If there are reflective objects such as mirrors and reflective skirting lines near the Station, the bottom 14cm of that should be covered.
Do not place the Station under direct sunlight.
It is recommended to place the Station on the hard floor to experience complete functions of the robot.

3 Add Water to Clean Water Tank



Note: It is recommended to use ECOVACS DEEBOT Cleaning Solution (sold separately). Using other Cleaning solution may cause DEEBOT slipping, water tank block and other problems.

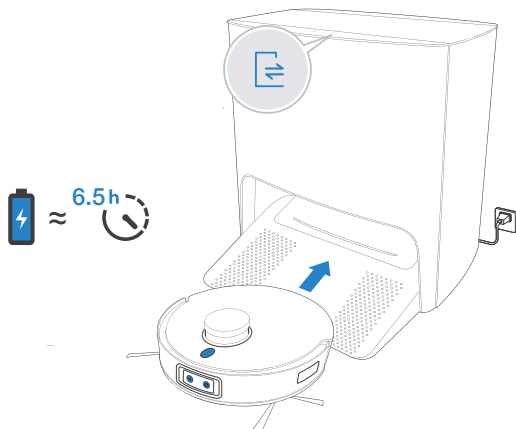
4 Power ON



Note: I = ON, O = OFF.

DEEBOT cannot be charged when being powered OFF.

5 Charge DEEBOT



It is recommended that DEEBOT start cleaning from the Station. Do not move the Station while cleaning.

Operating DEEBOT

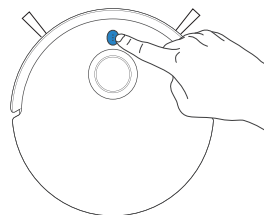
When creating a map for the first time, please follow DEEBOT to help eliminate some minor issues.

For example, DEEBOT may get stuck under the low furniture. Please refer to the following solutions:

- ① Raise the furniture if possible;
- ② Cover the bottom of the furniture;
- ③ Set up Virtual Boundary via the App.

1 Start



Tap  on DEEBOT or  on the Clean Station to start

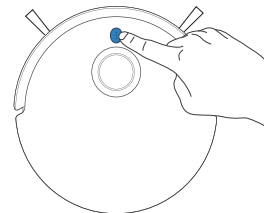


Note:


1. For the first-time cleaning, please ensure that DEEBOT is fully charged.
2. It is not recommended to assemble Mopping Pad Plates for the first time cleaning.

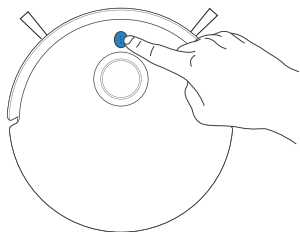
2 Pause

Tap  on DEEBOT or  on the Clean Station to pause.



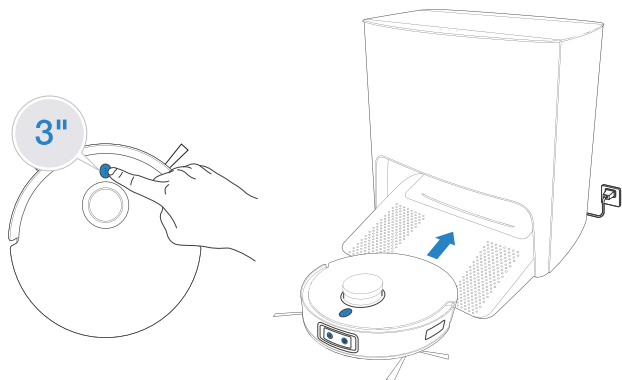
3 Wake Up

The indicator light will go out after the robot is paused for a few minutes. Tap  on DEEBOT to wake up the robot.



4 Back to the Station

Tap  for 3 seconds to recall DEEBOT to the Clean Station.

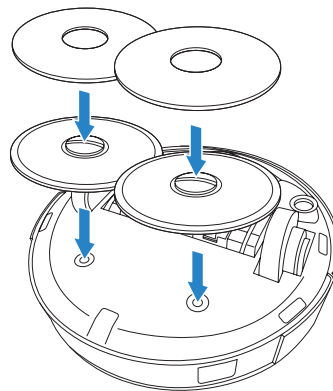


Note: When DEEBOT is not working, it is recommended to keep it switched ON and charging.

Mopping

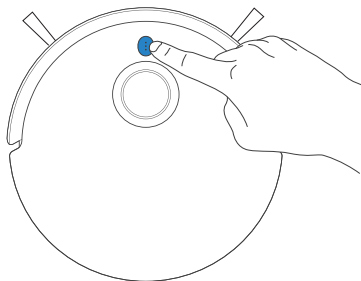
Do not use the mopping function on the carpet.

1 Attach the Mopping Pads and Mopping Pad Plates.



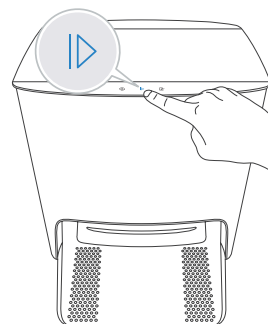
2 Mop

Tap  on DEEBOT
or  on the Clean Station to start mopping

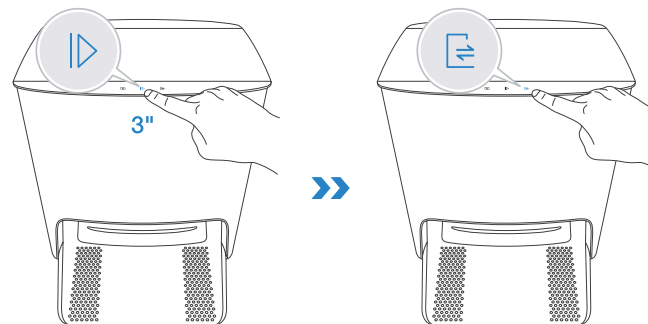


Clean Station

1 Start/Pause DEEBOT



2 Recall DEEBOT

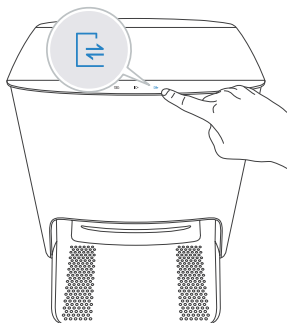


Note:

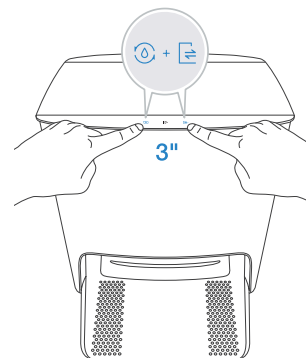
1. Do not frequently remove washable mopping pads.
2. Do not use a rag or any other object to scratch the Mopping Pad Plates.
3. When the ECOVACS HOME App prompts that the mops need to be replaced, please replace them in time.

Explore more accessories at ECOVACS HOME App or at <https://www.ecovacs.com/global>.

3 Direct DEEBOT to Exit from Clean Station



4 Child Lock ON/OFF



When Child Lock is enabled, the touch key on DEEBOT and the Station will be locked to ensure safety. Repeat the same step to disable Child Lock.

Regular Maintenance

To keep DEEBOT running at peak performance, perform maintenance tasks and replace parts with the following frequencies:

Robot Part	Maintenance Frequency	Replacement Frequency
Washable Mopping Pad	/	Every 1-2 months
Side Brush	Once every 2 weeks	Every 3-6 months
Main Brush	Once per week	Every 6-12 months
Sponge Filter/High Efficiency Filter	Once per week	Every 3-6 months
AIVI Camera TrueMapping Distance Sensor Universal Wheel Anti-Drop Sensors Bumper Charging Contacts Clean Station Pins	Once per week	/
Cleaning Sink	Once every 2 weeks	/
Clean Water Tank	Once every 3 months	/
Dirty Water Tank	After each mopping	/
Clean Station	Once per month	/
Filter	Once per month	/

Before performing cleaning and maintenance tasks on DEEBOT, turn the robot OFF and unplug the Clean Station.

A multi-function Cleaning Tool is provided for easy maintenance. Handle with care, this cleaning tool has sharp edges.

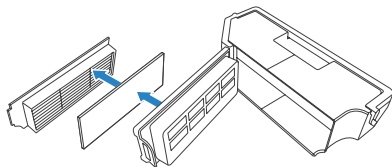
Note: ECOVACS manufactures various replacement parts and fittings. Please contact Customer Service for more information on replacement parts.

Maintain Dust Bin

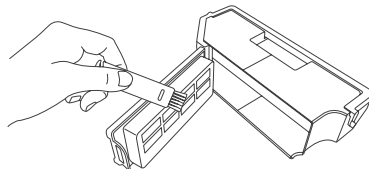
1



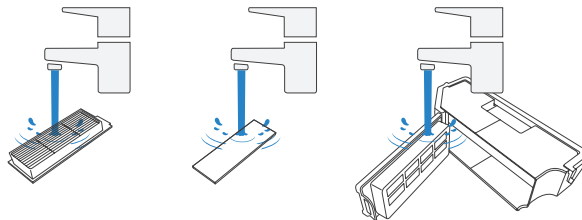
2



3



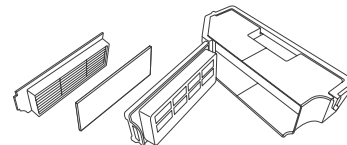
4



Note:

1. Please rinse the filter with water as shown above.
2. Do not use finger or brush to clean the High Efficiency Filter.

5

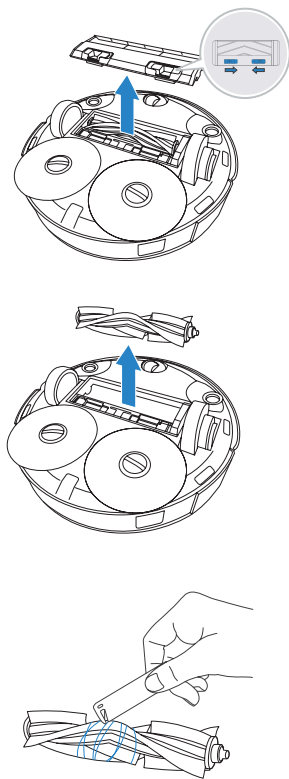


Note:

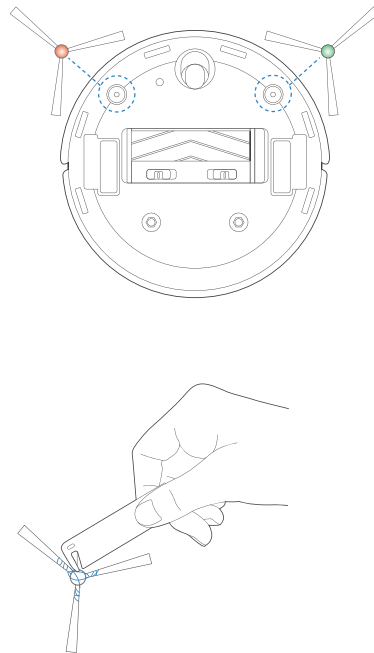
Completely dry the filter before use.
Explore more accessories at ECOVACS HOME App or at <https://www.ecovacs.com/global>.

Maintain Main Brush and Side Brushes

Main Brush

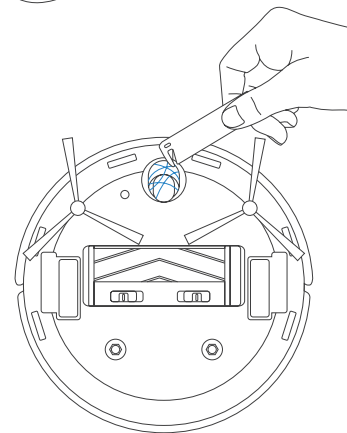
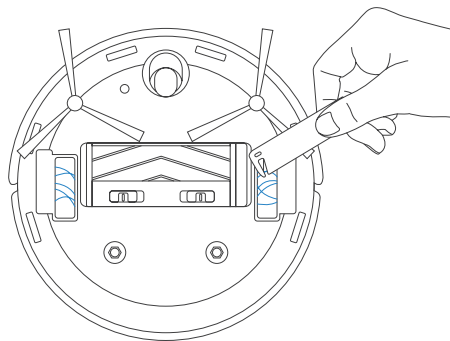
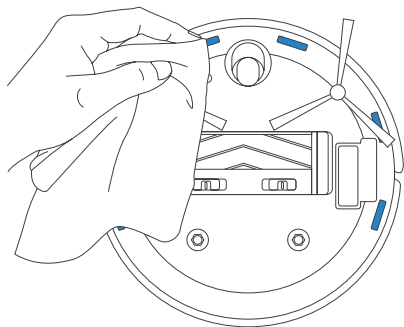
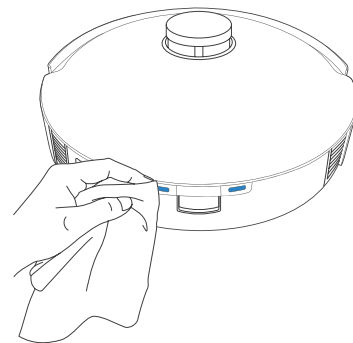
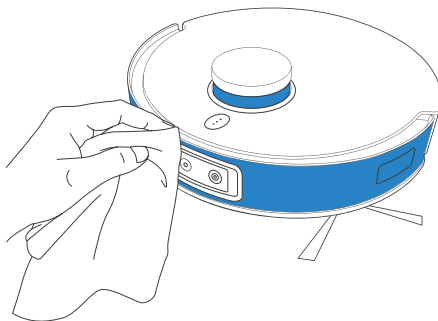
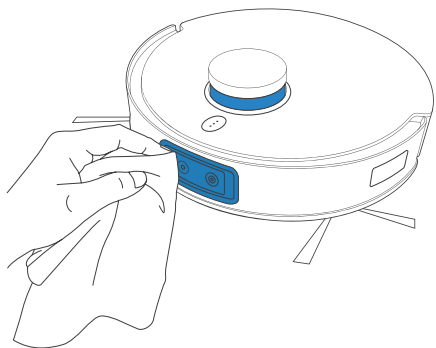


Side Brushes



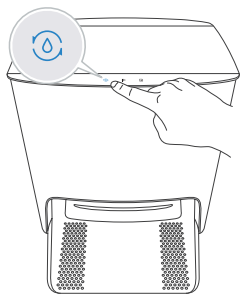
Maintain Other Components

Note: Wipe the components with a clean, dry cloth. Avoid using cleaning sprays or detergents.

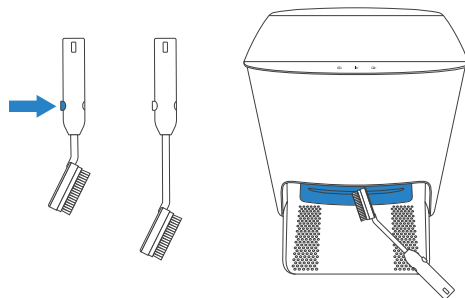


Maintain Clean Station

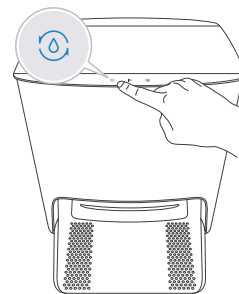
1 Add Water to Cleaning Sink



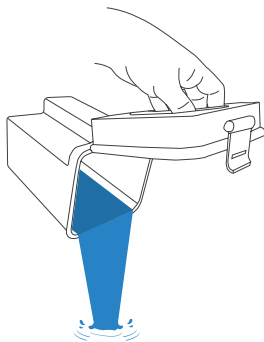
2 Clean Cleaning Sink



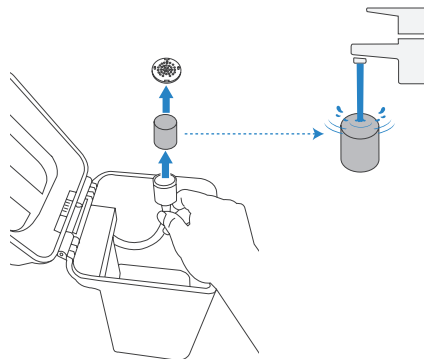
3 Drain the Water Out of Cleaning Sink



4 Empty Dirty Water Tank

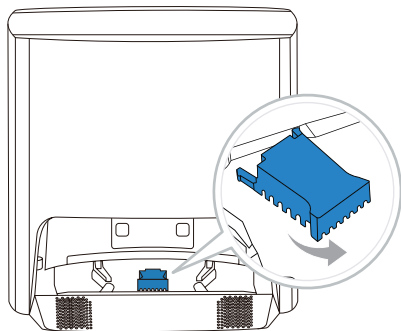


5 Clean the Clean Water Tank Filter

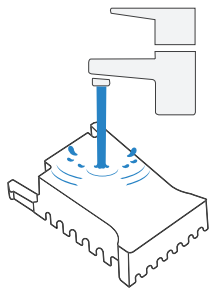


Maintain Filter

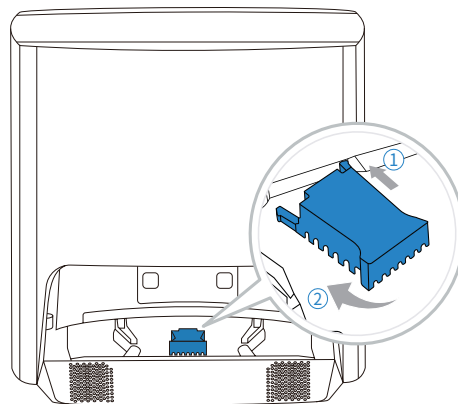
1 Take the Filter out



2 Wash the Filter




3 Install the Filter






Troubleshooting

No.	Malfunction	Possible Causes	Solutions
1	DEEBOT is not able to connect to ECOVACS HOME App.	Incorrect home Wi-Fi username or password entered.	Enter the correct home Wi-Fi username and password.
		DEEBOT is not within range of your home Wi-Fi signal.	Make sure DEEBOT is within range of your home Wi-Fi signal.
		DEEBOT is not in the configuration state.	Make sure DEEBOT is connected to the power supply and turned on. Open the cover, and press RESET Button. DEEBOT will enter the configuration state when you hear a voice prompt.
		Incorrect App installed.	Please download and install ECOVACS HOME App.
		Not using a 2.4GHz or 2.4/5 GHz mixed network.	DEEBOT does not support 5G network. Please use a 2.4GHz or 2.4/5 GHz mixed network.
2	The map is lost.	The map might be lost if you move DEEBOT when cleaning.	Move DEEBOT to the front of the Station to retrieve the map. Find the restored map in the Map Management and tap "Use This Map" to retrieve it. If this problem persists after trying the above solutions, please restart mapping.
3	Unable to create furniture map on App.	DEEBOT does not start cleaning from the Station.	DEEBOT must start cleaning from the Station.
		Move DEEBOT when cleaning might cause the mop lost.	During cleaning, do not move DEEBOT as far as possible.
		Auto cleaning is not complete.	Make sure DEEBOT automatically return to the Station after cleaning.
4	DEEBOT Side Brushes drop out of place during use.	The Side Brushes are not properly installed.	Make sure the Side Brushes click into place when installing.

No.	Malfunction	Possible Causes	Solutions
5	No signal found. Unable to return to the Station.	The Station is incorrectly placed.	Please place the Station correctly according to the instructions in the [Charging DEEBOT] section.
		The Station is out of power or manually moved.	Check whether the Station is connected to power supply. Do not manually move the Station.
		DEEBOT does not start cleaning from the Station.	It is recommended that DEEBOT start cleaning from the Station.
		The charging route is blocked. For example, the door of the room with the Station in is closed.	Keep the charging route clear.
6	DEEBOT returns to the Station before it has finished cleaning.	The room is so large that DEEBOT needs to return to recharge.	Please enable Continuous Cleaning. For more details, please follow the App instruction.
		DEEBOT is unable to reach certain areas blocked by furniture or barriers.	Tidy up the area to be cleaned by putting furniture and small objects in their proper place.
7	DEEBOT is unable to charge.	DEEBOT is not switched ON.	Switch ON DEEBOT.
		DEEBOT's Charging Contacts are not connected to the Station Pins.	Make sure that the robot's Charging Contacts have connected to the Station Pins and  flashes. Check whether DEEBOT's Charging Contacts and the Station are dirty. Please clean these parts according to the instructions in the [Maintenance] section.
		The Station is not connected to the power supply.	Make sure the Station is connected to the power.
		The battery will be overcharged if DEEBOT is not used for a long time.	It is recommended to regularly use DEEBOT. If the battery cannot be charged because it has not been used for a long time, please contact Customer Care for help.
8	Running is very loud during cleaning.	Side brushes and main brush are entangled. Dust bin and filter are blocked.	It is recommended to clean the side brushes, main brush, dust bin, filter, etc. regularly.
		DEEBOT is in Max Mode.	Switch to Standard Mode.
9	DEEBOT gets stuck while working and stops.	DEEBOT is tangled with something on the floor (electrical wires, curtains, carpet fringing, etc.).	DEEBOT will try various ways to free itself. If it is unsuccessful, manually remove the obstacles and restart.
		DEEBOT might be stuck under furniture with an entrance of similar height.	Please set a physical barrier, or set a Virtual Boundary via the ECOVACS HOME App.

No.	Malfunction	Possible Causes	Solutions
10	During cleaning, DEEBOT appears in the route disorder, running bias, repeated cleaning, small area leakage and so on. (If there is a large area that has not been swept temporarily, DEEBOT will make up the leakage independently. Sometimes DEEBOT will re-enter a cleaned room to find any missing area.)	Objects such as wires and slippers placed on the ground affect the normal operation of DEEBOT.	Please tidy up the scattered wires, slippers and other objects on the ground before cleaning. And reduce the scattered objects on the ground as far as possible. If there is any area leakage, DEEBOT will correct the leakage by itself, please do not interfere (such as moving DEEBOT or blocking the route).
		It may be that the Driving Wheels slips on the ground when DEEBOT climbs steps, thresholds and door bars, thus affecting the its judgment of the whole house environment.	It is recommended to close the door of this area and clean the area separately. After cleaning, DEEBOT will return to the starting location. Please rest assured to use.
		Work on freshly waxed and polished floors or smooth tiles, resulting in less friction between the Driving Wheels and the floor.	Please wait for wax to dry before cleaning.
		Due to different home environments, some areas cannot be cleaned.	Clean the home environment to ensure that DEEBOT can enter for cleaning.
		The TrueMapping Distance Sensor is dirty or blocked by foreign matters.	Wipe the TrueMapping Distance Sensor with a clean soft cloth or remove foreign matters.
11	Video Manager cannot open or has no screen.	Wi-fi connection failed.	Check the Wi-Fi connection status. DEEBOT must be in an area with good Wi-Fi signal to enable the Video Manager.
		Video Manager is not authorized.	Please check your consent in the Privacy Policy before using the robot.
		Due to the network latency, you may not be able to open Video Manager temporarily.	Try again later.
		The AIWI Camera is blocked.	Remove the shield.
12	Delay in remote control.	The Wi-Fi signal is poor, causing the video loading to be slow.	Use DEEBOT in areas with good Wi-Fi signals.

No.	Malfunction	Possible Causes	Solutions
13	AIVI Camera cannot recognize objects.	The cleaning area is not well illuminated.	Smart Recognition requires sufficient lighting. Please make sure the areas to be cleaned are well illuminated.
		AIVI Camera lens is dirty or blocked.	Clean the lens with a clean soft cloth, and make sure the sensor is not blocked. Avoid using any detergent or cleaning spray while cleaning.
14	Mopping Pad Plate cannot rotate.	The Mopping Pad Plate is blocked by foreign objects.	Clean the foreign objects.
15	DEEBOT does not respond to the Station instruction.	DEEBOT is too far away from the Station.	If it is beyond the available distance, the ECOVACS HOME App can also be used to operate DEEBOT.
		DEEBOT and the Station are not paired.	Unplug the Station and wait for 10 seconds to replug. Power off the robot and then turn it back on. Manually push the robot up to the Station, and ensure that the charging pins are correctly connected. Then, DEEBOT will start charging, and voice prompt pairing successful.
16	Fail to enable Child Lock.	Communication interruption between the Station and DEEBOT (For example: long distance or many partition walls)	Move DEEBOT near the Station to ensure smooth communication, and then enable Child Lock.
17	Driving wheels are blocked.	Driving wheels are blocked by foreign objects.	Please rotate and press the driving wheels to check whether there is any foreign object wrapped or stuck. If there is any foreign object, please clean it in time. If this problem persists, please contact Customer Care for help.

No.	Malfunction	Possible Causes	Solutions
18	When the water in the Cleaning Sink is full and cannot be drained out, the voice reports that the Cleaning Sink is full.	The Dirty Water Tank is not properly installed.	Tap down on the Dirty Water Tank to ensure it is properly installed.
		The sealing plugs in the Dirty Water Tank is not installed properly.	Make sure to check that the sealing plugs are properly installed.
		The Station cannot drain water normally.	Double tap  to see whether the Station can properly draw the water. If the problem occurs during the mopping pads cleaning process, press and hold  to finish the task, and then double tap  to see whether the Station can properly draw the water. If the water is successfully drawn, wipe dry the Water Overflow Sensor of the Cleaning Sink. If the Station fails to draw the water, check between the Dirty Water Tank and the Station for foreign matter and clean it.
		The suction port of the Cleaning Sink is blocked by foreign object.	Ensure that there is no foreign object in the suction port of the Cleaning Sink.
		The voice prompt still exists after trying the above solutions.	Unplug the Station and plug it again.If this problem persists, please contact Customer Care for help.

Technical Specifications

Model	DBX23
Rated Input	20V \equiv 2A
Clean Station Model	CH2128
Rated Input (Charging)	220-240V \sim 50-60Hz 0.3A
Power (Drying)	100W
Rated Output	20V \equiv 2A
Frequency bands	2400-2483.5MHz
Networked Standby Power	Less than 2.00W

Output power of the Wi-Fi module is less than 100mW.

Note: Technical and design specifications may be changed for continuous product improvement.

Explore more accessories at <https://www.ecovacs.com/global>.

Wichtige Sicherheitshinweise

WICHTIGE SICHERHEITSHINWEISE

Beim Gebrauch eines elektrischen Geräts sind einige grundlegende Sicherheitshinweise zu beachten. Dazu gehören die folgenden Hinweise:

LIES ALLE ANWEISUNGEN VOR GEBRAUCH DIESES GERÄTS. BEWAHRE DIESE ANLEITUNG AUF.

1. Dieses Gerät ist zur Verwendung durch Kinder ab acht Jahren oder durch Personen mit eingeschränkten physischen, sensorischen oder geistigen Fähigkeiten bzw. fehlenden Erfahrungen und Kenntnissen geeignet, sofern sie dabei beaufsichtigt oder bezüglich der sicheren Handhabung des Geräts angeleitet werden und die damit verbundenen Gefahren verstanden haben. Kinder dürfen nicht mit dem Gerät spielen. Reinigung und anwenderseitige Wartung dürfen nicht durch unbeaufsichtigte Kinder erfolgen.
2. Räume den zu reinigenden Bereich frei. Entferne Netzkabel und kleine Gegenstände, in denen sich das Gerät verfangen könnte, vom Boden. Lege Teppichfransen unter den Teppich und achte darauf, dass Vorhänge, Tischdecken u. Ä. nicht bis zum Boden herunterhängen.
3. Wenn sich im zu reinigenden Bereich Absätze in Form von Stufen oder Treppen befinden, ist das Gerät so zu bedienen, dass die Stufe erkannt wird, ohne dass das Gerät über die Kante fällt. Es kann erforderlich sein, eine physische Barriere an der Kante anzubringen, um ein Herunterfallen des Geräts zu verhindern. Stelle sicher, dass die physische Barriere keine Stolperfalle darstellt.
4. Verwende das Gerät nur gemäß der Beschreibung in dieser Bedienungsanleitung. Verwende nur empfohlene bzw. vom Hersteller angebotene Zubehörteile.
5. Stelle sicher, dass die Spannung der Stromquelle mit der auf dem Typenschild der Reinigungsstation angegebenen Netzspannung übereinstimmt.
6. Verwende das Gerät **AUSSCHLIESSLICH** für **INNENRÄUME** im Haushalt. Verwende das Gerät nicht im Freien oder für kommerzielle oder industrielle Anwendungen.
7. Benutze nur den aufladbaren Original-Akku und die Reinigungsstation, die vom Hersteller mit dem Gerät mitgeliefert wurden. Nicht wiederaufladbare Batterien sind nicht zulässig.
8. Verwende das Gerät nicht ohne Staubbehälter bzw. Filter.
9. Verwende das Gerät nicht in Bereichen, in denen

- sich brennende Kerzen oder zerbrechliche Gegenstände befinden.
10. Verwende das Gerät nicht in extrem heißen oder kalten Umgebungen (unter -5 °C/23 °F oder über 40 °C/104 °F).
 11. Halte Haare, lose Kleidung, Finger und sonstige Körperteile von Öffnungen und sich bewegenden Teilen fern.
 12. Verwende das Gerät nicht in Räumen, in denen Babys oder Kinder schlafen.
 13. Verwende das Gerät nicht auf nassen Flächen oder auf Flächen, auf denen Wasser steht.
 14. Achte darauf, dass das Gerät keine größeren Gegenstände wie Steine, große Papierstückchen oder sonstige Gegenstände aufnimmt, die das Gerät verstopfen könnten.
 15. Verwende das Gerät nicht, um entzündliche oder brennbare Materialien wie Benzin, Drucker- oder Kopierertoner aufzunehmen, und nicht in Bereichen, in denen diese Materialien anzutreffen sind.
 16. Verwende das Gerät nicht, um Zigaretten, Streichhölzer, heiße Asche oder sonstige brennende, qualmende oder brandauslösende Gegenstände aufzunehmen.
 17. Stecke keine Gegenstände in die Ansaugöffnung. Lass das Gerät nicht mit verstopfter Ansaugöffnung arbeiten. Halte die Ansaugöffnung frei von Staub, Flusen, Haaren oder sonstigen den Luftstrom behindernden Materialien.
 18. Achte darauf, dass das Netzkabel nicht beschädigt wird. Ziehe oder trage das Gerät bzw. die Reinigungsstation nicht am Netzkabel, verwende das Netzkabel nicht als Haltegriff, klemme das Netzkabel nicht in einer geschlossenen Tür ein, und ziehe es nicht über scharfe Kanten oder Ecken. Achte darauf, dass das Gerät nicht über das Netzkabel fährt. Halte das Netzkabel von heißen Flächen fern.
 19. Wenn das Netzkabel beschädigt ist, muss es durch den Hersteller oder dessen Kundendienst ausgewechselt werden, damit keine Gefahren davon ausgehen.
 20. Verwende die Reinigungsstation nicht, wenn sie beschädigt ist. Das Netzteil darf nicht repariert oder weiterverwendet werden, wenn es beschädigt oder defekt ist.
 21. Verwende das Gerät nicht, wenn das Netzkabel oder die Steckdose beschädigt sind. Verwende das Gerät oder die Reinigungsstation nicht, wenn es bzw. sie nicht einwandfrei funktioniert, heruntergefallen ist, beschädigt wurde, im Freien gelassen wurde oder mit Wasser in

Berührung gekommen ist. Die Reparatur muss durch den Hersteller oder dessen Kundendienst durchgeführt werden, um Gefahren zu vermeiden.

22. Schalte das Gerät vor dem Reinigen oder Warten aus (Betriebsschalter auf AUS).
23. Vor dem Reinigen oder Warten der Reinigungsstation muss der Stecker aus der Steckdose gezogen werden.
24. Entferne vor dem Entsorgen der Reinigungsstation den Akku. Nimm hierzu das Gerät aus der Reinigungsstation, und schalte es aus (Betriebsschalter auf AUS).
25. Vor dem Entsorgen des Geräts ist der Akku entsprechend den örtlichen Gesetzen und Vorschriften zu entfernen und zu entsorgen.
26. Gebrauchte Akkus sind entsprechend den örtlichen Gesetzen und Vorschriften zu entsorgen.
27. Verbrenne das Gerät nicht, auch wenn es stark beschädigt ist. Die Akkus können im Feuer explodieren.
28. Wenn die Reinigungsstation längere Zeit nicht benutzt wird, ist sie vom Stromnetz zu trennen.
29. Verwende das Gerät immer gemäß den Anweisungen in dieser Bedienungsanleitung. ECOVACS ROBOTICS übernimmt keine Haftung

für Verletzungen und Schäden, die durch unsachgemäße Nutzung entstehen.

30. Der Roboter enthält Akkus, die nur durch geschultes Personal ausgewechselt werden dürfen. Zum Auswechseln oder Entfernen des Akkus des Roboters wende dich bitte an den Kundendienst.
31. Wenn der Roboter längere Zeit nicht benutzt wird, schalte ihn vor der Lagerung AUS. Trenne außerdem die Reinigungsstation vom Netz.
- 32. WARNUNG:** Verwende zum Wiederaufladen des Akkus ausschließlich das mit dem Gerät mitgelieferte abnehmbare Netzteil CH2128.

Um den Anforderungen der HF-Strahlenbelastungsrichtlinien zu entsprechen, ist beim Betrieb dieses Gerätes ein Mindestabstand von 20 cm zwischen dem Gerät und Personen einzuhalten.

Um die Einhaltung der Richtlinien zu gewährleisten, sollte der Abstand beim Betrieb nicht geringer sein. Die für diesen Sender verwendete Antenne darf nicht in Verbindung mit anderen Antennen oder Sendern aufgestellt werden.

Geräteaktualisierung

In der Regel werden einige Geräte alle zwei Monate

aktualisiert, aber das muss nicht auf jedes Gerät zutreffen.

Einige Geräte, insbesondere solche, die vor mehr als drei Jahren in den Handel kamen, werden nur aktualisiert, wenn eine kritische Schwachstelle gefunden wurde und behoben wird.

	Klasse II
	Kurzschlussfester Sicherheitstransformator
	Schaltnetzteil
	Nur zur Verwendung in Innenräumen vorgesehen
	Gleichstrom
	Wechselstrom

Für EU-Länder

Informationen zur EU-Konformitätserklärung findest Du unter <https://www.ecovacs.com/global/compliance>.

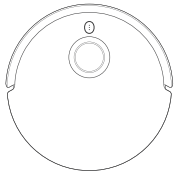


Ordnungsgemäße Entsorgung dieses Produkts

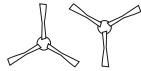
Diese Kennzeichnung gibt an, dass das Produkt EU-weit nicht mit dem Hausmüll entsorgt werden darf. Recycle das Gerät verantwortungsvoll, um die nachhaltige Wiederverwendung der Materialien zu unterstützen und mögliche Umwelt- oder Gesundheitsschäden durch eine unkontrollierte Abfallentsorgung zu vermeiden. Verwende zum Recyceln deines gebrauchten Geräts entsprechende Rückgabe- und Sammelsysteme, oder wende dich an den Händler, bei dem du das Gerät gekauft hast. Er kann das Produkt sicher entsorgen.

Die Fernüberwachung ist ausschließlich für die private Nutzung in nicht öffentlichen, privaten Orten zum reinen Selbstschutz und zur alleinigen Kontrolle bestimmt. Bitte beachte bei der Nutzung die geltenden Datenschutzgesetze. Unzulässig ist die Überwachung öffentlicher Orte, insbesondere im Heimlichen und/oder seitens des Arbeitgebers ohne berechtigte Gründe. Für eine solche unberechtigte Nutzung übernimmt ausschließlich der Benutzer die Verantwortung und das Risiko.

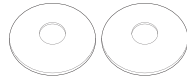
Lieferumfang



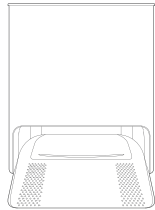
Roboter



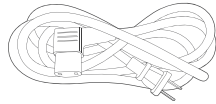
Zwei
Seitenbürsten



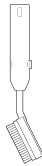
Washbare
Wischtücher



Reinigungsstation



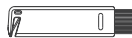
Netzkabel



Reinigungsbürste



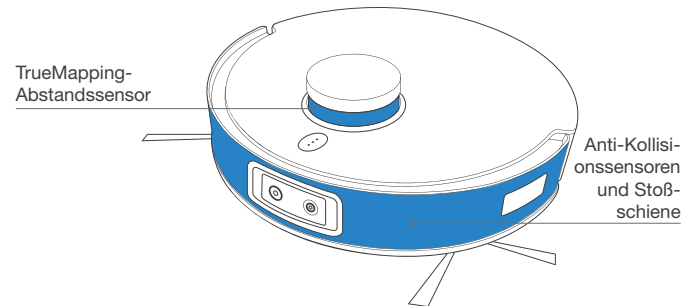
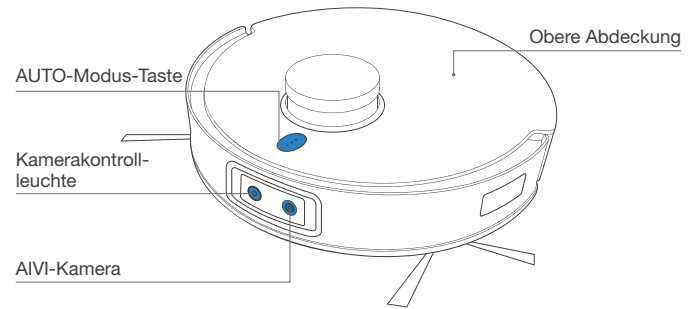
Bedienungsanleitung



Multifunktions-
Reinigungswerkzeug

Produktübersicht

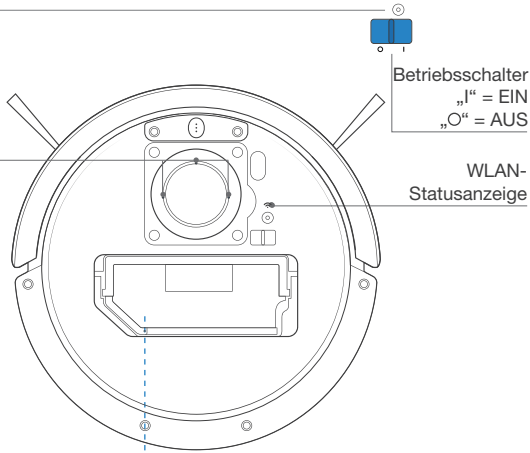
Roboter



Hinweis: Abbildungen dienen nur als Referenz und können vom tatsächlichen Erscheinungsbild des Produkts abweichen. Produktdesign und technische Daten können ohne Vorankündigung geändert werden.

RESET-Taste

Mikrofon



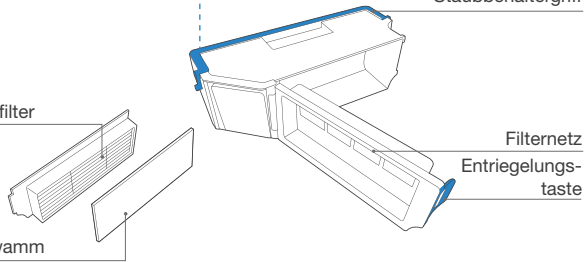
Betriebsschalter
„1“ = EIN
„0“ = AUS

WLAN-
Statusanzeige

Staubbehälter

Feinstaubfilter

Filterschwamm



Staubbehältergriff

Filternetz
Entriegelungs-
taste

Ansicht von unten

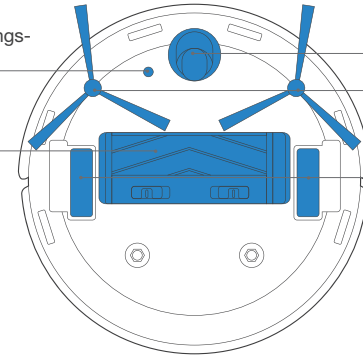
Teppicherkennungs-
sensoren

Hauptbürste

Absturzsensoren

Entriegelungs-
taste für die
Hauptbürste

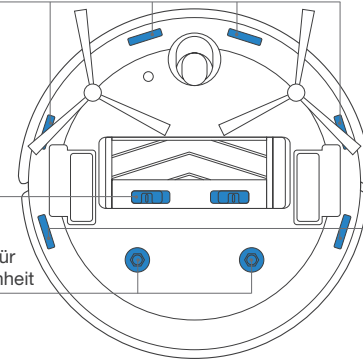
Montageschlitz für
die Wischtucheinheit



Universalrad

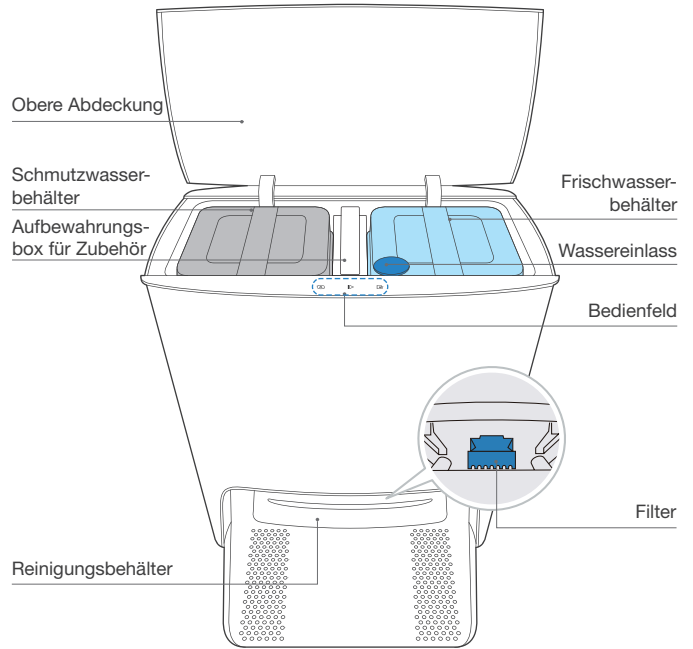
Seitenbürsten

Antriebsräder

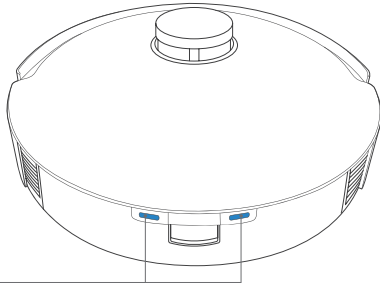
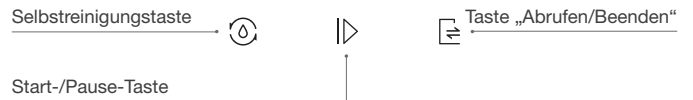


Absturzsensoren

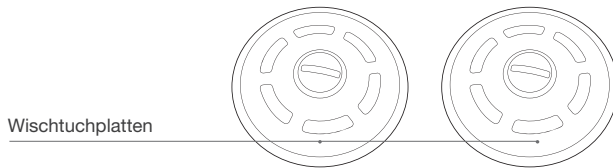
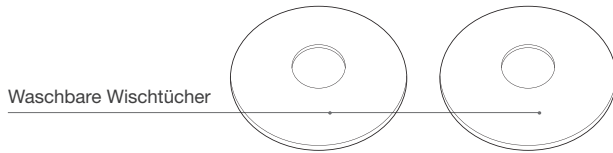
Reinigungsstation



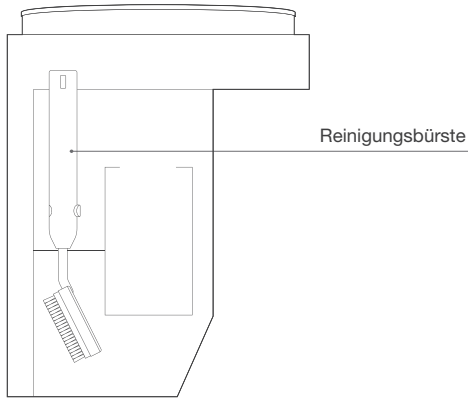
Bedienfeldtaste



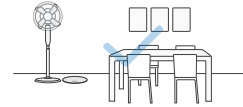
Wischtucheinheit



Aufbewahrungsbox für Zubehör



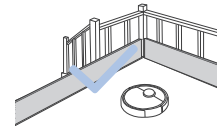
Vor dem Reinigen



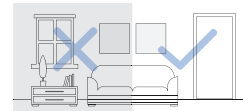
Stellen Sie Möbel, wie Stühle in dem zu reinigenden Bereich an den dafür vorgesehenen Platz.



Stellen Sie bei der ersten Verwendung sicher, dass jede Tür geöffnet ist, damit der DEEBOT Ihr Zuhause vollständig erkunden kann.



Es kann erforderlich sein, eine physische Barriere an der Kante einer Stufe anzubringen, um ein Herunterfallen des Geräts zu verhindern.



Vergewissern Sie sich, dass die zu reinigenden Bereiche gut beleuchtet sind, damit die AIVI-Kamera ordnungsgemäß funktioniert. Entfernen Sie Netzkabel und kleine Gegenstände vom Boden, um die Reinigungseffizienz zu gewährleisten.



Entfernen Sie Gegenstände wie Kabel, Tücher, Hausschuhe usw. vom Boden, um die Reinigungseffizienz zu verbessern.



Reinige die AIVI-Kamera und den TrueMapping-Abstandssensor mit einem sauberen Tuch, und verwenden Sie kein Reinigungsmittel oder Reinigungsspray.



Schlagen Sie vor dem Gebrauch des Geräts auf einem Vorleger mit Fransen die Kanten des Vorlegers um.



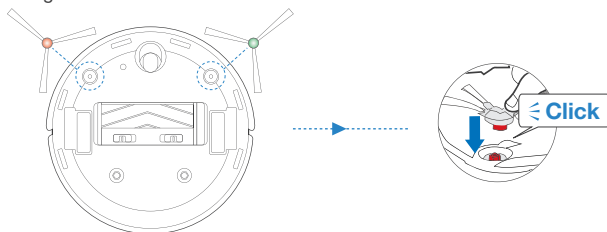
Stehen Sie bitte nicht an engen Stellen wie etwa in Fluren, und achten Sie darauf, die AIVI-Kamera nicht zu blockieren.

Kurzanleitung

Entferne vor der Verwendung des DEEBOT alle Schutzfolien oder Schutzstreifen am DEEBOT und an der Reinigungsstation.

Installation der Seitenbürste

Stelle sicher, dass die Farbe der Seitenbürste mit der Farbe des Montageschlitzes übereinstimmt.



ECOVACS HOME-App

Um alle verfügbaren Funktionen nutzen zu können, wird empfohlen, den DEEBOT über die ECOVACS HOME-App zu steuern.

Bevor du beginnst, Stelle Folgendes sicher:

- Dein Mobiltelefon ist mit einem WLAN-Netzwerk verbunden.
- Das WLAN-Signal des 2,4-GHz- oder 2,4-/5-GHz-Bands ist auf deinem Router aktiviert.
- Die WLAN-Statusleuchte des DEEBOT blinkt langsam.



WLAN-Anzeige

	Blinkt langsam	WLAN-Verbindung ist getrennt, oder es wird auf WLAN-Verbindung gewartet.
	Blinkt schnell	Verbindung mit WLAN wird hergestellt.
	Leuchtet durchgehend	Verbindung mit WLAN wurde hergestellt.

WLAN-Verbindung

Vergewissere dich vor der WLAN-Einrichtung, dass der DEEBOT, das Smartphone und das WLAN-Netzwerk die folgenden Anforderungen erfüllen:

Anforderungen an den DEEBOT und das Smartphone

- Der DEEBOT ist vollständig geladen, und der Betriebsschalter des DEEBOT ist eingeschaltet.
- Die WLAN-Statusleuchte blinkt in langsamen Tempo.
- Schalte die Mobilfunkdaten des Mobiltelefons aus (du kannst sie nach der Einrichtung wieder einschalten).

Anforderungen an WLAN-Netzwerk

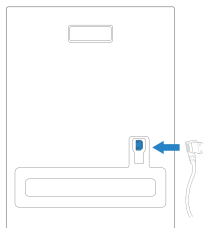
- Verwende ein 2,4-GHz- oder ein kombiniertes 2,4-/5-GHz-Netzwerk.
- Dein Router unterstützt 802.11b/g/n und das IPv4-Protokoll.
- Verwende kein VPN (Virtual Private Network) und keinen Proxy-Server.
- Verwende kein unsichtbares Netzwerk.
- Verwende WPA und WPA2 mit TKIP-, PSK- oder AES/CCMP-Verschlüsselung.
- WEP EAP (Enterprise Authentication Protocol) wird nicht unterstützt.
- Verwende die WLAN-Kanäle 1-11 in Nordamerika bzw. die Kanäle 1-13 außerhalb von Nordamerika (Einzelheiten dazu erfragst du bitte bei der lokalen Aufsichtsbehörde).
- Wenn du einen Netzwerk-Extender/Repeater verwendest, sind der Netzwerkname (SSID) und das Passwort identisch mit deinem primären Netzwerk.

Nach Verbindung mit dem WLAN wird der DEEBOT in den Standby-Modus versetzt, wenn innerhalb von 10 Minuten kein Signal empfangen wird.

Bitte beachte, dass Benutzer die ECOVACS HOME-App herunterladen und verwenden müssen, um intelligente Funktionen wie den Fernstart, die Sprachinteraktion, die Anzeige von 2D/3D-Karten und -Steuerungseinstellungen sowie die personalisierte Reinigung (je nach Produkt) nutzen zu können. Die App wird regelmäßig aktualisiert. Du musst unserer Datenschutzrichtlinie und Benutzervereinbarung zustimmen, bevor wir einige deiner grundlegenden und erforderlichen Informationen verarbeiten und dir die Nutzung des Produkts durch die ECOVACS HOME-App ermöglichen können. Wenn du unserer Datenschutzrichtlinie und Benutzervereinbarung nicht zustimmst, stehen dir einige der oben genannten intelligenten Funktionen über die ECOVACS HOME-App nicht zur Verfügung. Du kannst jedoch weiterhin die grundlegenden Funktionen dieses Produkts im manuellen Betrieb nutzen.

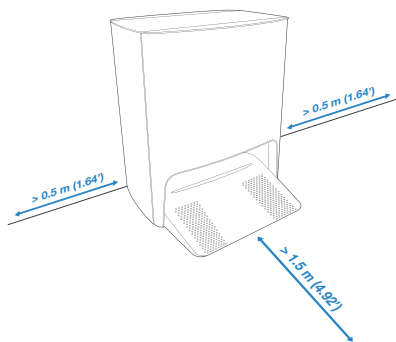
Aufladen des DEEBOT

1 Zusammensetzen der Reinigungsstation



2 Aufstellen der Reinigungsstation

Halte die Umgebung der Station frei von Gegenständen und reflektierenden Oberflächen.

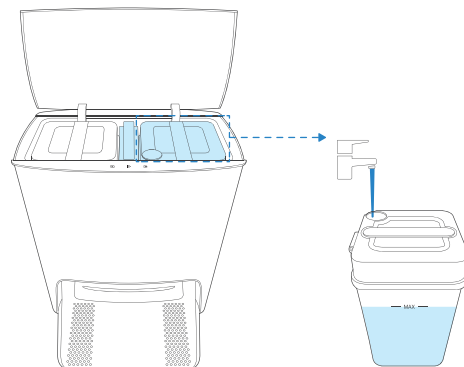


* Wenn sich in der Nähe der Station reflektierende Objekte wie Spiegel und reflektierende Sockelleisten befinden, sollten die unteren 14 cm davon abgedeckt werden.

Stelle die Station nicht in direktem Sonnenlicht auf.

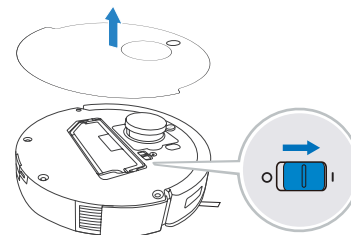
Es wird empfohlen, die Station auf einem harten Boden zu platzieren, um sämtliche Funktionen des Roboters nutzen zu können.

3 Auffüllen des Frischwasserbehälters



Hinweis: Wir empfehlen, die DEEBOT-Reinigungslösung von ECOVACS zu verwenden (separat erhältlich). Die Verwendung anderer Reinigungsmittel kann dazu führen, dass der DEEBOT ausrutscht, der Wassertank blockiert wird und andere Probleme auftreten.

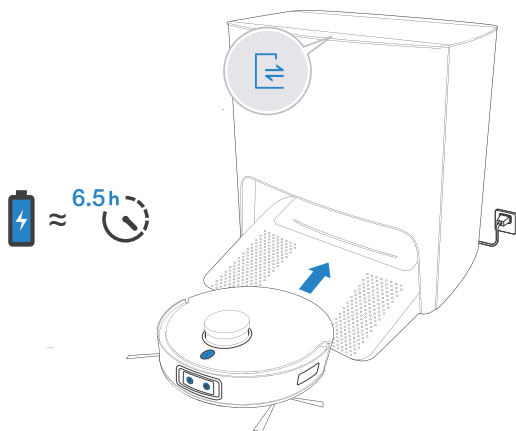
4 Einschalten des Geräts



Hinweis: I = EIN, O = AUS.

Der DEEBOT kann nicht aufgeladen werden, wenn er ausgeschaltet ist.

5 Aufladen des DEEBOT



Es wird empfohlen, dass der DEEBOT die Reinigung von der Station aus startet. Bewege die Station nicht während der Reinigung.

Betrieb des DEEBOT

Wenn du zum ersten Mal eine Karte erstellst, folge dem DEEBOT, um kleinere Probleme zu vermeiden.

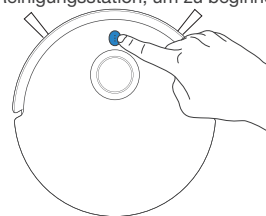
Der DEEBOT könnte zum Beispiel unter niedrigen Möbeln stecken bleiben.

Beachte die folgenden Lösungsansätze:

- ① Erhöhe, wenn möglich, den Abstand zwischen Möbeln und Boden.
- ② Decke die Lücke zwischen Möbeln und Boden ab.
- ③ Richte über die App eine virtuelle Grenze ein.

1 Start

Tippe ⓘ auf dem DEEBOT oder ▶ auf der Reinigungsstation, um zu beginnen.

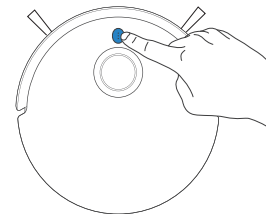


Hinweis:


1. Stell vor der ersten Reinigung sicher, dass der DEEBOT vollständig aufgeladen ist.
2. Es wird nicht empfohlen, die Wischtuchplatten für die erste Reinigung anzubringen.

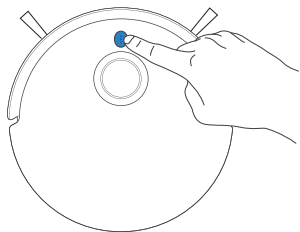
2 Pause

Tippe ⓘ auf dem DEEBOT oder ▶ auf der Reinigungsstation, um anzuhalten.



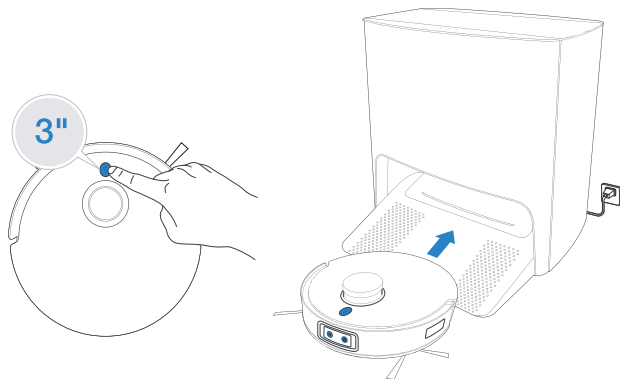
3 Beenden des Ruhemodus

Die Kontrollleuchte erlischt, wenn der Roboter einige Minuten pausiert. Tippe  auf dem DEEBOT, um den Roboter zu aktivieren.



4 Zurück zur Station

Drücke 3 Sekunden lang , um den DEEBOT zur Reinigungsstation zurückzuschicken.

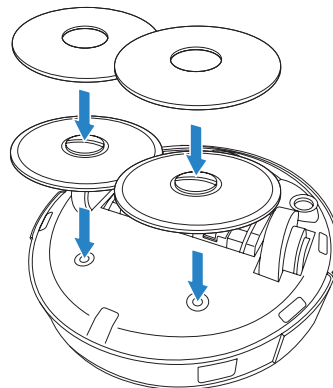


Hinweis: Wir empfehlen, den DEEBOT eingeschaltet zu lassen (Betriebsschalter EIN) und ihn aufzuladen, wenn er gerade keine Reinigung durchführt.



Wischen

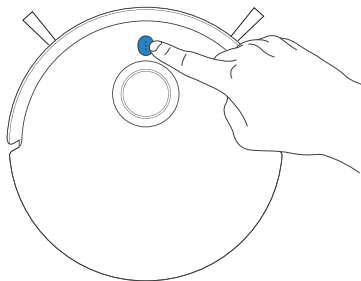
Verwende die Wischfunktion nicht auf Teppichboden.

1 Bringe die Wischtücher und die Wischtuchplatten an.



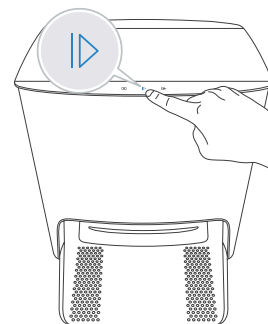
2 Wischen

Tippe  auf dem DEEBOT
oder  auf der Reinigungsstation, um mit dem Wischen zu beginnen.

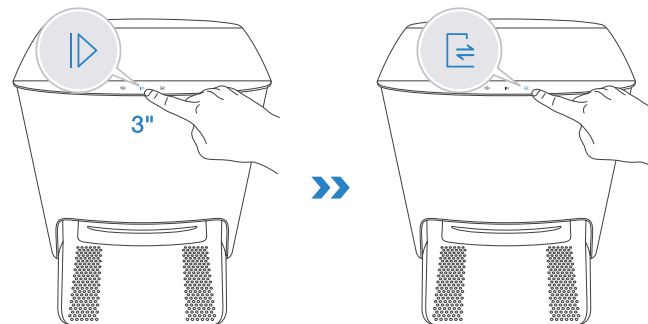


Reinigungsstation

1 Starte/Pausiere den DEEBOT.



2 Rufe den DEEBOT zurück.

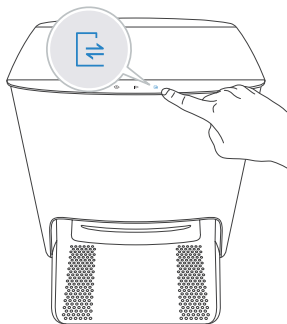


Hinweis:

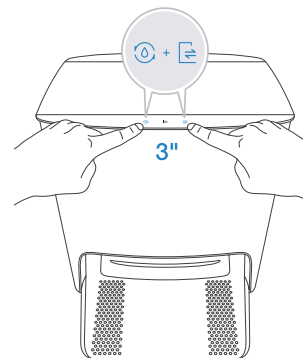
1. Entferne die waschbaren Wischtücher nicht zu häufig.
2. Verwende keinen Lappen oder andere Gegenstände, die die Wischtuchplatten verkratzen könnten.
3. Wenn die ECOVACS HOME-App eine Benachrichtigung anzeigt, dass die Wischtücher ausgetauscht werden müssen, tausche sie zeitnah aus.

Entdecke weiteres Zubehör in der ECOVACS HOME-App oder unter <https://www.ecovacs.com/global>.

3 Weise den DEEBOT an, die Reinigungsstation zu verlassen.



4 Kindersicherung EIN/AUS



Wenn die Kindersicherung aktiviert ist, werden die Tasten auf dem DEEBOT und der Station aus Sicherheitsgründen gesperrt. Wiederhole diesen Schritt, um die Kindersicherung zu deaktivieren.

Regelmäßige Wartung

Um die maximale Leistung des DEEBOT dauerhaft zu gewährleisten, führe Wartungsaufgaben und den Austausch der Teile gemäß der nachfolgend angegebenen Häufigkeit aus.

Roboterbauteil	Wartungshäufigkeit	Austauschhäufigkeit
Waschbares Wischtuch	/	Alle ein bis zwei Monate
Seitenbürste	Einmal alle zwei Wochen	Alle drei bis sechs Monate
Hauptbürste	Einmal wöchentlich	Alle sechs bis zwölf Monate
Filterschwamm/Feinstaubfilter	Einmal wöchentlich	Alle drei bis sechs Monate
AIVI-Kamera TrueMapping-Abstandssensor Universalrad Absturzsensoren Stoßschiene Ladekontakte Kontakte der Reinigungsstation	Einmal wöchentlich	/
Reinigungsbehälter	Einmal alle zwei Wochen	/
Frischwasserbehälter	Einmal alle drei Monate	/
Schmutzwasserbehälter	Nach jedem Wischdurchgang	/
Reinigungsstation	Einmal pro Monat	/
Filter	Einmal pro Monat	/

Schalte den DEEBOT aus und trenne die Reinigungsstation vom Netz, bevor du Reinigungs- oder Wartungsarbeiten am Roboter durchführst.

Zur einfachen Wartung wird ein Multifunktions-Reinigungswerkzeug bereitgestellt. Bitte gehe vorsichtig mit diesem Werkzeug um, da es scharfe Kanten hat.

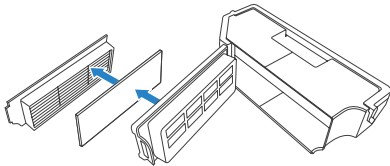
Hinweis: ECOVACS stellt verschiedene Ersatz- und Zubehörteile her. Wende dich an den Kundendienst, um weitere Informationen zu Ersatzteilen zu erhalten.

Wartung des Staubbehälters

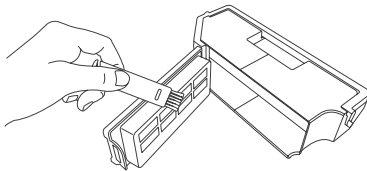
1



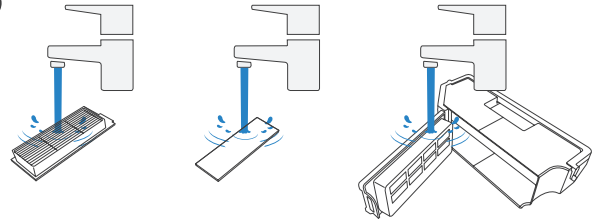
2



3



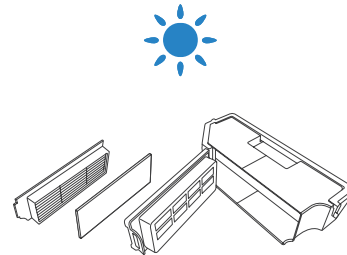
4



Hinweis:

1. Spüle den Filter wie oben gezeigt mit Wasser aus.
2. Reinige den Feinstaubfilter nicht mit dem Finger oder einer Bürste.

5

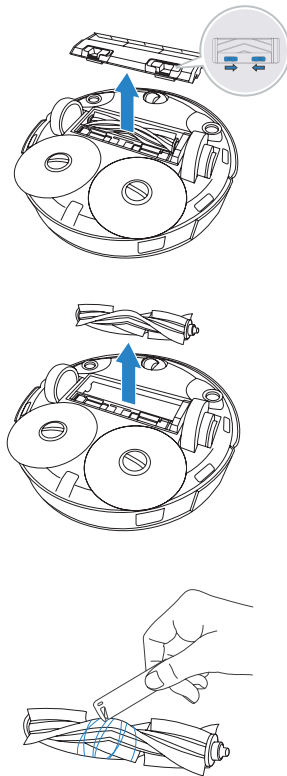


Hinweis:

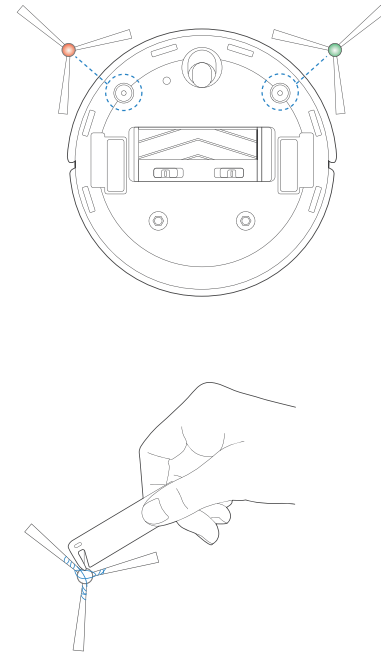
Lasse den Filter vor dem nächsten Gebrauch vollständig trocknen.
Entdecke weiteres Zubehör in der ECOVACS HOME-App oder unter <https://www.ecovacs.com/global>.

Wartung der Hauptbürste und der Seitenbürsten

Hauptbürste

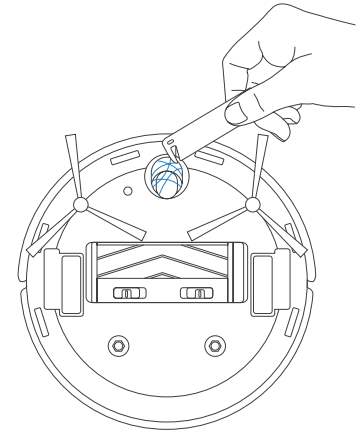
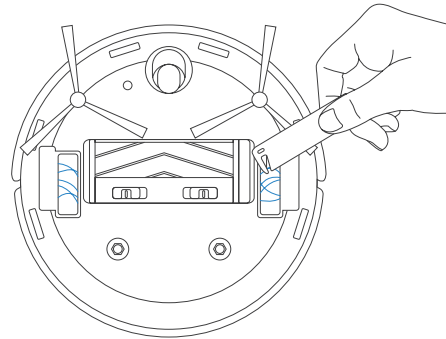
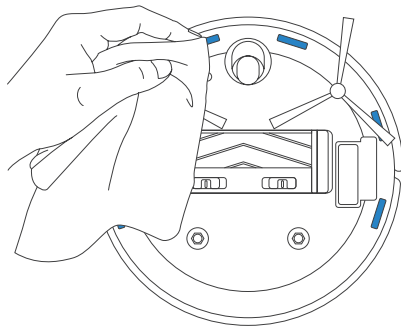
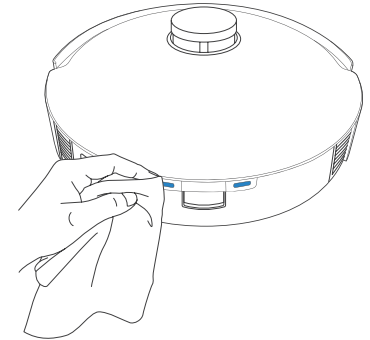
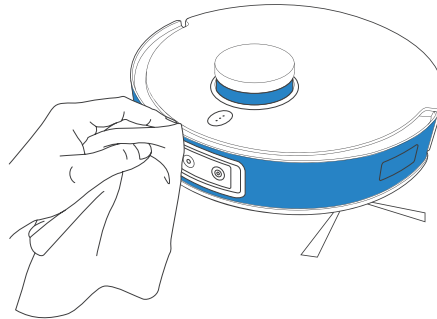
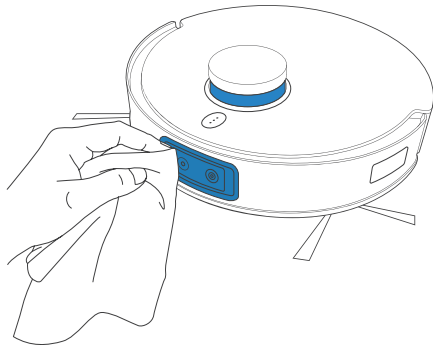


Seitenbürsten



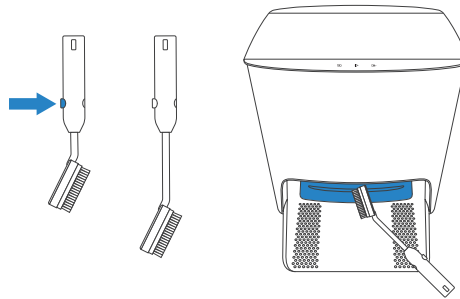
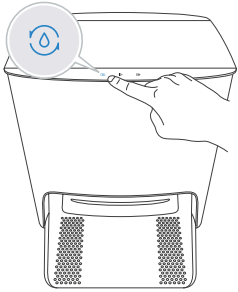
Wartung weiterer Komponenten

Hinweis: Wische die Komponenten mit einem sauberen, trockenen Tuch ab. Verwende keine Reinigungssprays oder -mittel.

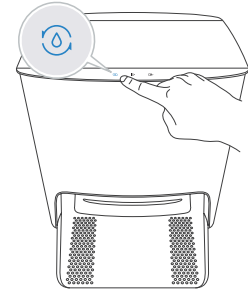


Wartung der Reinigungsstation

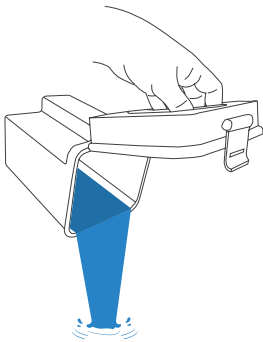
1 Fülle Wasser in die Reinigungsbehälter. **2** Reinige die Reinigungsbehälter.



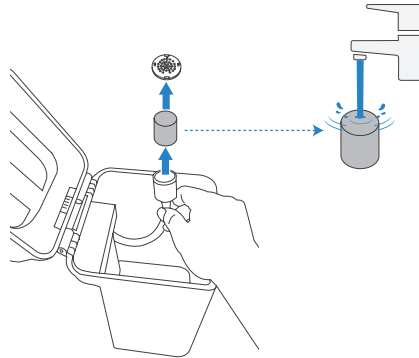
3 Lass das Wasser aus der Reinigungsbehälter ab.



4 Leere den Schmutzwasserbehälter.

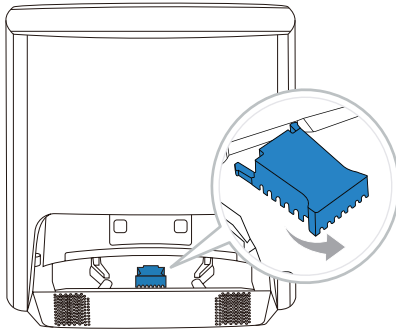


5 Reinige den Filter des Frischwasserbehälters.

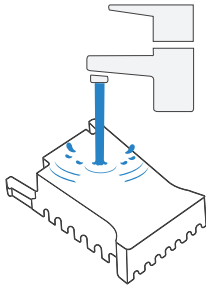


Wartung des Filters

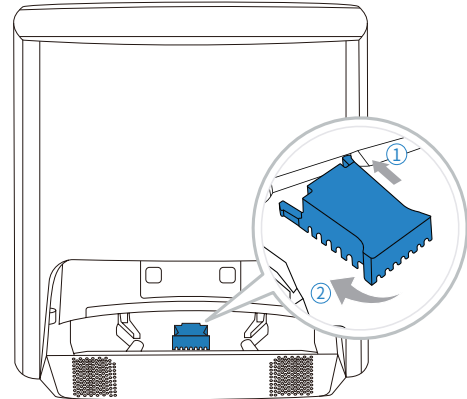
1 Nimm den Filter heraus.



2 Reinige den Filter.




3 Setze den Filter ein.






Fehlerbehebung

Nr.	Funktionsstörung	Mögliche Ursachen	Abhilfemaßnahmen
1	Der DEEBOT kann sich nicht mit der ECOVACS HOME-App verbinden.	Fehlerhafter Benutzername oder fehlerhaftes Passwort für das drahtlose Heimnetzwerk eingegeben.	Gib den korrekten Benutzernamen und das korrekte Passwort für das drahtlose Heimnetzwerk ein.
		Der DEEBOT befindet sich außerhalb der Reichweite deines drahtlosen Heimnetzwerk-Signals.	Vergewissere dich, dass der DEEBOT sich innerhalb der Reichweite deines drahtlosen Heimnetzwerk-Signals befindet.
		Der DEEBOT befindet sich nicht im Konfigurationsstatus.	Stelle sicher, dass der DEEBOT an die Stromversorgung angeschlossen und eingeschaltet ist. Öffne die Abdeckung, und drücke die RESET-Taste. Der DEEBOT wechselt in den Konfigurationsstatus, und du hörst eine Sprachansage.
		Die falsche App wurde installiert.	Lade die ECOVACS HOME-App herunter, und installiere sie.
		Keine Verwendung eines 2,4-GHz- oder eines kombinierten 2,4-/5-GHz-Netzwerks.	Der DEEBOT unterstützt kein 5G-Netzwerk. Verwende ein 2,4-GHz- oder ein kombiniertes 2,4-/5-GHz-Netzwerk.
2	Die Karte ist verloren gegangen.	Die Karte kann verloren gehen, wenn du den DEEBOT beim Reinigen bewegst.	Platziere den DEEBOT vor der Station, um die Karte abzurufen. Suche die wiederhergestellte Karte in der Kartenverwaltung, und tippe auf „Diese Karte verwenden“, um sie abzurufen. Wenn dieses Problem nach dem Versuch der oben genannten Lösungen weiterhin besteht, starte die Vermessung neu.
3	Es kann keine Möbelkarte in der App erstellt werden.	Der DEEBOT startet die Reinigung nicht bei der Station.	Der DEEBOT muss die Reinigung an der Station starten.
		Wenn der DEEBOT während der Reinigung bewegt wird, kann der Mopp verloren gehen.	Bewege den DEEBOT möglichst nicht während der Reinigung.
		Die Reinigung im AUTO-Modus ist nicht abgeschlossen.	Stelle sicher, dass der DEEBOT nach der Reinigung automatisch zur Station zurückkehrt.
4	Die DEEBOT-Seitenbürsten fallen während des Gebrauchs heraus.	Die Seitenbürsten sind nicht ordnungsgemäß angebracht.	Vergewissere dich, dass die Seitenbürsten beim Anbringen hörbar einrasten.

Nr.	Funktionsstörung	Mögliche Ursachen	Abhilfemaßnahmen
5	Kein Signal gefunden. Die Rückkehr zur Station ist nicht möglich.	Die Station wurde falsch aufgestellt.	Stelle die Station gemäß den Anweisungen im Abschnitt [Aufladen des DEEBOT] auf.
		Die Station wird nicht mehr mit Strom versorgt oder wurde manuell bewegt.	Überprüfe, ob die Station an die Stromversorgung angeschlossen ist. Bewege die Station nicht manuell.
		Der DEEBOT startet die Reinigung nicht bei der Station.	Es wird empfohlen, dass der DEEBOT die Reinigung von der Station aus startet.
		Der Ladeweg ist blockiert. Beispielsweise ist die Tür des Raums, in dem sich die Station befindet, geschlossen.	Halte den Ladeweg frei.
6	Der DEEBOT kehrt zur Station zurück, bevor er den Reinigungsvorgang beendet hat.	Der Raum ist so groß, dass der DEEBOT zum Aufladen zurückkehren muss.	Aktiviere die kontinuierliche Reinigung. Weitere Informationen findest du in der Anleitung in der App.
		Der DEEBOT kann bestimmte Bereiche, die durch Möbel oder Barrieren blockiert sind, nicht erreichen.	Stell Möbel und kleine Gegenstände im zu reinigenden Bereich an die dafür vorgesehenen Plätze.
7	Der DEEBOT kann nicht aufgeladen werden.	Der DEEBOT ist nicht eingeschaltet.	Schalte den DEEBOT ein (Betriebsschalter auf EIN).
		Die Ladekontakte des DEEBOT berühren nicht die Kontakte der Station.	Vergewissere dich, dass die Ladekontakte des Roboters die Kontakte der Station berühren und dass  blinkt. Prüfe, ob die Ladekontakte des DEEBOT und die Station verschmutzt sind. Reineige diese Teile gemäß den Anweisungen im Abschnitt [Wartung] .
		Die Station ist nicht an die Stromversorgung angeschlossen.	Stelle sicher, dass die Station an die Stromversorgung angeschlossen ist.
		Der Akku wird überladen, wenn der DEEBOT längere Zeit nicht verwendet wird.	Es wird empfohlen, den DEEBOT regelmäßig zu verwenden. Wenn der Akku nicht aufgeladen werden kann, weil er längere Zeit nicht verwendet wurde, wende dich an den Kundendienst.
8	Der Betrieb ist während der Reinigung sehr laut.	Die Seitenbürsten und die Hauptbürste haben sich verfangen. Der Staubbehälter und der Filter sind blockiert.	Es wird empfohlen, die Seitenbürsten, die Hauptbürste, den Staubbehälter, den Filter usw. regelmäßig zu reinigen.
		Der DEEBOT befindet sich im MAX-Modus.	Zum Standardmodus wechseln.
9	Der DEEBOT bleibt während des Betriebs hängen und hält an.	Auf dem Boden liegende Gegenstände (Stromkabel, Vorhänge, Teppichfransen o. Ä.) haben sich im DEEBOT verfangen.	Der DEEBOT unternimmt mehrere Versuche, um sich zu befreien. Wenn dies nicht gelingt, entferne die Hindernisse von Hand, und starte das Gerät neu.
		Der DEEBOT kann unter Möbeln mit einem Zugang in ähnlicher Höhe stecken bleiben.	Schaffe eine physische Barriere, oder lege eine virtuelle Grenze in der ECOVACS HOME-App fest.

Nr.	Funktionsstörung	Mögliche Ursachen	Abhilfemaßnahmen
10	Während der DEEBOT reinigt, können Hindernisse auf der Route, Betriebsfehler, wiederholte Reinigungen, Austritt von Schmutz in kleinen Bereichen usw. auftreten. (Wenn ein großer Bereich vorübergehend nicht gereinigt wurde, wird der DEEBOT den Austritt von Schmutz eigenständig beseitigen. Manchmal sucht der DEEBOT einen gereinigten Raum erneut auf, um fehlende Bereiche zu finden.)	Gegenstände wie Kabel und Hausschuhe, die sich auf dem Boden befinden, beeinträchtigen den normalen Betrieb des DEEBOT.	Bitte räume auf dem Boden liegende Kabel, Hausschuhe und andere Gegenstände vor der Reinigung weg. Räume möglichst viele auf dem Boden verstreute Objekte weg. Wenn es in einem Bereich zu einem Austritt von Schmutz gekommen ist, korrigiert der DEEBOT dies von selbst. Schreite nicht ein (z. B. durch Bewegen des DEEBOT oder durch Blockieren der Route).
		Möglicherweise rutschen die Antriebsräder auf dem Boden, wenn der DEEBOT auf Stufen, Türschwellen und Türeleisten rollt, was sich auf die Beurteilung der gesamten Umgebung auswirkt.	Es wird empfohlen, die Tür dieses Bereichs zu schließen und den Bereich separat zu reinigen. Nach der Reinigung kehrt der DEEBOT zum Ausgangspunkt zurück. Die Verwendung kann wie gewohnt erfolgen.
		Betrieb auf frisch gewachsenen und polierten Böden oder glatten Fliesen, wodurch weniger Reibung zwischen den Antriebsrädern und dem Boden entsteht.	Bitte warte, bis das Wachs getrocknet ist, bevor du die Reinigung startest.
		Aufgrund unterschiedlicher häuslicher Umgebungen können einige Bereiche nicht gereinigt werden.	Reinige die häusliche Umgebung, um sicherzustellen, dass der DEEBOT diese zur Reinigung betreten kann.
		Der TrueMapping-Abstandssensor ist verschmutzt oder durch Fremdkörper blockiert.	Wische den TrueMapping-Abstandssensor mit einem sauberen, weichen Tuch ab, oder entferne die Fremdkörper.
11	Der Video-Manager kann nicht geöffnet werden oder hat keinen Bildschirm.	WLAN-Verbindung fehlgeschlagen.	Überprüfe den WLAN-Verbindungsstatus. Der DEEBOT muss sich in einem Bereich mit gutem WLAN-Signal befinden, damit der Video-Manager aktiviert werden kann.
		Der Video-Manager ist nicht autorisiert.	Bitte überprüfe deine Zustimmung in der Datenschutzrichtlinie, bevor du den Roboter verwendest.
		Aufgrund der Netzwerklatenz kannst du den Video-Manager möglicherweise vorübergehend nicht öffnen.	Versuche es später erneut.
		Die AIVI-Kamera ist blockiert.	Entferne die Schutzabdeckung.
12	Verzögerung bei der Fernbedienung.	Das WLAN-Signal ist schwach, wodurch das Laden des Videos verlangsamt wird.	Verwende den DEEBOT in Bereichen mit gutem WLAN-Signal.

Nr.	Funktionsstörung	Mögliche Ursachen	Abhilfemaßnahmen
13	Die AIVI-Kamera kann Objekte nicht erkennen.	Der Reinigungsbereich wurde nicht ausreichend beleuchtet.	Für die intelligente Erkennung ist eine ausreichende Beleuchtung erforderlich. Sorge bitte für die gute Beleuchtung der zu reinigenden Bereiche.
		Die Linse der AIVI-Kamera ist verschmutzt oder blockiert.	Reinige die Linse mit einem sauberen, weichen Tuch, und achte darauf, dass der Sensor nicht blockiert ist. Verwende für die Reinigung kein Reinigungsmittel oder Reinigungsspray.
14	Die Wischtuchplatte kann sich nicht drehen.	Die Wischtuchplatte wird von Fremdkörpern blockiert.	Entferne die Fremdkörper.
15	Der DEEBOT reagiert nicht auf die Stationsanweisung.	Der DEEBOT ist zu weit von der Station entfernt.	Wenn die Entfernung überschritten wird, kann der Betrieb des DEEBOT auch über die ECOVACS HOME-App gesteuert werden.
		Der DEEBOT und die Station sind nicht miteinander verbunden.	Ziehe den Netzstecker der Station und warte 10 Sekunden. Schalte den Roboter aus und dann wieder ein. Schiebe den Roboter manuell in die Station und stelle sicher, dass die Ladekontakte sich richtig berühren. Dann beginnt der DEEBOT mit dem Aufladen und die Sprachansage bestätigt die erfolgreiche Verbindung.
16	Die Kindersicherung kann nicht aktiviert werden.	Unterbrechung der Kommunikation zwischen der Station und dem DEEBOT (z. B. weite Entfernung oder viele Trennwände)	Platziere den DEEBOT in der Nähe der Station, um eine reibungslose Kommunikation sicherzustellen und aktiviere dann die Kindersicherung.
17	Die Antriebsräder sind blockiert.	Die Antriebsräder werden durch Fremdkörper blockiert.	Drehe und drücke die Antriebsräder, um zu prüfen, ob Fremdkörper festgewickelt oder eingeklemmt sind. Wenn Fremdkörper vorhanden sind, entferne diese bitte zeitnah. Wende dich an den Kundendienst, falls das Problem fortbesteht.

Nr.	Funktionsstörung	Mögliche Ursachen	Abhilfemaßnahmen
18	Wenn die Reinigungsbehälter mit Wasser gefüllt ist und dieses nicht abgelassen werden kann, meldet die Sprachansage, dass die Reinigungsbehälter voll ist.	Der Schmutzwasserbehälter wurde nicht ordnungsgemäß eingesetzt.	Klopfe leicht auf den Schmutzwasserbehälter, um sicherzustellen, dass er ordnungsgemäß eingesetzt wurde.
		Die Verschlussstopfen im Schmutzwasserbehälter sind nicht ordnungsgemäß angebracht.	Stelle sicher, dass die Verschlussstopfen ordnungsgemäß angebracht sind.
		Die Station kann das Wasser nicht normal ablassen.	Tippe zweimal auf  , um zu sehen, ob die Station ordnungsgemäß Wasser ansaugen kann. Wenn das Problem während der Reinigung mit den Wischtüchern auftritt, halte die Taste  gedrückt, um die Aufgabe zu beenden. Tippe dann zweimal auf  , um zu überprüfen, ob die Station ordnungsgemäß Wasser ansaugen kann. Wenn Wasser erfolgreich angesaugt wurde, wische den Wasserüberlaufsensor der Reinigungsbehälter trocken. Wenn die Station das Wasser nicht ansaugt, überprüfe den Schmutzwasserbehälter und die Station auf Fremdkörper, und entferne sie.
		Der Sauganschluss der Reinigungsbehälter wird von Fremdkörpern blockiert.	Stelle sicher, dass sich keine Fremdkörper im Sauganschluss der Reinigungsbehälter befinden.
		Die Sprachansage erklingt weiterhin, auch nachdem die oben genannten Lösungen ausprobiert wurden.	Trenne die Station vom Stromnetz und schließe sie erneut an. Wenn das Problem weiterhin besteht, wende dich an den Kundendienst.

Technische Daten

Modell	DBX23
Nenningangsleistung	20 V \equiv 2A
Modell der Reinigungsstation	CH2128
Nenningangsleistung (Ladevorgang)	220-240 V \sim 50-60 Hz 0,3 A
Leistung (Trocknung)	100 W
Nenausgangsleistung	20 V \equiv 2A
Frequenzbänder	2400-2483,5 MHz
Leistungsaufnahme im vernetzten Standby-Modus	Weniger als 2,00 W

Ausgangsleistung des WLAN-Moduls liegt unter 100 mW.

Hinweis: Technische Daten und Konstruktionspezifikationen können zum Zweck der kontinuierlichen Produktverbesserung geändert werden.

Weiteres Zubehör findest du unter <https://www.ecovacs.com/global>.

Instrucciones importantes de seguridad

INSTRUCCIONES IMPORTANTES DE SEGURIDAD

Al usar un dispositivo eléctrico, observe siempre las precauciones básicas de seguridad, incluidas las que se indican a continuación.

ANTES DE USAR ESTE DISPOSITIVO, LEA ATENTAMENTE TODAS LAS INSTRUCCIONES

CONSERVE ESTAS INSTRUCCIONES

1. Este dispositivo pueden utilizarlo niños mayores de 8 años y personas con capacidades físicas, sensoriales o mentales reducidas, o cualquier persona sin experiencia ni conocimiento sobre este tipo de dispositivos, siempre que se les supervise o se les haya instruido sobre su uso seguro y comprendan los peligros potenciales. Este dispositivo no es un juguete. Los niños no deben limpiar o realizar el mantenimiento de este dispositivo sin supervisión.
2. Despeje el área que desea limpiar. Retire del suelo los cables de alimentación y los pequeños objetos que se puedan enredar en el dispositivo. Someta los flecos de las alfombras bajo estas

y levante las cortinas o manteles que pudieran estar a nivel del suelo.

3. Si en la zona de limpieza existe un desnivel debido a la presencia de un escalón o escaleras, le recomendamos que controle el dispositivo para cerciorarse de que sea capaz de detectar el escalón sin caerse. Para evitar la caída del dispositivo, puede ser necesario colocar una barrera física en el borde. Asegúrese de que la barrera física no suponga un riesgo de tropiezo.
4. Use el dispositivo únicamente como se describe en este manual. Emplee solo accesorios recomendados o vendidos por el fabricante.
5. Cerciórese de que su suministro eléctrico coincide con la tensión mostrada en la estación de limpieza.
6. Diseñado para usar **EXCLUSIVAMENTE** en **ESPACIOS INTERIORES** domésticos. No utilice el dispositivo al aire libre ni en espacios comerciales o industriales.
7. Use únicamente la batería recargable y la estación de limpieza originales del fabricante incluidas con el dispositivo. Este dispositivo no permite el uso de baterías no recargables.
8. No utilice el dispositivo sin el recipiente para polvo o sin los filtros instalados en la posición correcta.

9. No ponga en marcha el dispositivo en un lugar donde haya velas encendidas u objetos frágiles.
10. No use el dispositivo en entornos extremadamente fríos o calientes (temperatura inferior a $-5\text{ }^{\circ}\text{C}$ [$23\text{ }^{\circ}\text{F}$] o superior a $40\text{ }^{\circ}\text{C}$ [$104\text{ }^{\circ}\text{F}$]).
11. Mantenga el pelo, la ropa suelta, los dedos y las partes del cuerpo alejados de las aberturas y de las piezas móviles.
12. No ponga en marcha el dispositivo en una habitación donde se encuentren durmiendo bebés o niños.
13. No use el dispositivo sobre superficies mojadas o con agua estancada.
14. No permita que el dispositivo aspire objetos de gran tamaño, como piedras, trozos grandes de papel o cualquier otro objeto que pueda causar obstrucciones.
15. No use el dispositivo para recoger materiales inflamables o combustibles, como gasolina o tóner de impresoras o fotocopiadoras. No lo utilice en lugares donde puedan existir esta clase de materiales.
16. No use el dispositivo para recoger objetos que estén ardiendo o que emitan humo, como por ejemplo, cigarrillos, cerillas, cenizas calientes o cualquier otro objeto que pueda provocar un incendio.
17. No introduzca objetos en la abertura para la entrada de polvo. No use el dispositivo si la entrada de polvo está obstruida. Mantenga la abertura libre de polvo, pelusas, pelos o cualquier partícula que pueda reducir el flujo de aire.
18. Tenga cuidado de no dañar el cable de alimentación. No emplee el cable de alimentación para tirar o transportar el dispositivo ni la estación de limpieza. Tampoco use el cable de alimentación a modo de asa. No cierre la puerta si el cable de alimentación queda atrapado ni coloque el cable sobre bordes afilados o esquinas. No permita que el dispositivo pase por encima del cable de alimentación. Mantenga el cable de alimentación alejado de superficies calientes.
19. Si el cable de alimentación está dañado, el fabricante o un técnico de servicio deberán sustituirlo para evitar posibles riesgos.
20. No utilice la estación de limpieza si presenta daños. La fuente de alimentación no se debe reparar ni seguir utilizando si presenta daños o defectos.
21. No use el dispositivo si el cable de alimentación o el enchufe están dañados. No use el dispositivo ni la estación de limpieza si no

funcionan correctamente, si han sufrido una caída, si están dañados, si se han dejado olvidados en el exterior o si han entrado en contacto con agua. En ese caso, el fabricante o un técnico de servicio deberán repararlos para evitar posibles riesgos.

22. Antes de realizar tareas de limpieza y mantenimiento en el dispositivo, apague el interruptor de alimentación.
23. Desconecte el enchufe de la toma de corriente antes de llevar a cabo la limpieza y el mantenimiento de la estación de limpieza.
24. Antes de extraer la batería del dispositivo para desecharla, retire el dispositivo de la estación de limpieza y apague el interruptor de alimentación.
25. Antes de desechar el dispositivo, extraiga la batería y deséchela de acuerdo con las leyes y normativas locales.
26. Tire las baterías usadas de acuerdo con las leyes y normativas locales.
27. No arroje el dispositivo al fuego aunque se encuentre muy dañado. Las baterías pueden explotar.
28. Si no prevé usar la estación de limpieza durante un tiempo prolongado, desenchúfela.
29. El dispositivo debe usarse respetando lo establecido en este manual de instrucciones.

ECOVACS ROBOTICS no asume ninguna responsabilidad por los daños o lesiones causados por un uso inadecuado.

30. El robot contiene baterías que solo puede sustituir personal cualificado. Para sustituir la batería del robot, póngase en contacto con el servicio de atención al cliente.
31. Si no se va a utilizar el robot durante un periodo prolongado de tiempo, apáguelo para guardarlo y desenchufe la estación de limpieza.
- 32. AVISO:** Para cargar la batería, utilice únicamente la unidad de alimentación desmontable CH2128 proporcionada con el dispositivo.







De acuerdo con los requisitos de exposición a la radiofrecuencia, se debe mantener una distancia de al menos 20 cm entre el dispositivo y el usuario mientras el dispositivo esté en marcha.

Para garantizar el cumplimiento de la normativa, no se recomienda situarse a una distancia inferior. La antena empleada para este transmisor no debe colocarse ni utilizarse en conjunto con ninguna otra antena o transmisor.

Actualización del dispositivo

Algunos dispositivos suelen actualizarse cada dos meses, pero esta periodicidad no es siempre tan exacta.

Algunos dispositivos, especialmente los que salieron a la venta hace más de tres años, solo se actualizarán si se encuentra y soluciona una vulnerabilidad crítica.

	Clase II
	Transformador de aislamiento de seguridad a prueba de cortocircuitos
	Fuente de alimentación conmutada
	Solo para uso en espacios interiores
	Corriente continua
	Corriente alterna

Para países de la Unión Europea

Para obtener información sobre la Declaración de conformidad de la UE, visite <https://www.ecovacs.com/global/compliance>.

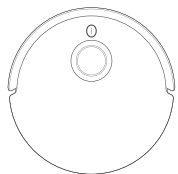


Eliminación correcta de este producto

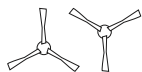
Esta marca indica que este producto no se debe desechar con otros residuos domésticos en la UE. Para evitar posibles daños al medioambiente o la salud derivados del vertido no regulado de residuos, recicle el producto de manera responsable para fomentar la reutilización sostenible de los recursos materiales. Para desechar el dispositivo usado, siga los procedimientos de recogida y reciclado adecuados o consulte con el proveedor a quien compró el producto. Este podrá encargarse de reciclar el producto de forma segura.

La característica de vigilancia remota es para uso absolutamente privado de lugares no públicos y de propiedades privadas, para la mera autoprotección y el control exclusivo que se pretende. Si la utiliza, tenga en cuenta las obligaciones legales locales basadas en la protección de datos. No se permite la vigilancia de lugares públicos, especialmente con intenciones ocultas o sin razones justificadas, por parte del usuario. Dicho uso no justificado será únicamente responsabilidad del usuario.

Contenido del paquete



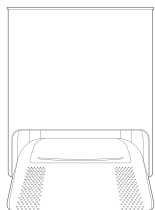
Robot



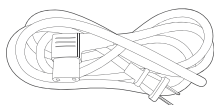
Cepillos laterales dobles



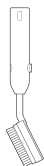
Mopas de fregado lavables



Estación de limpieza



Cable de alimentación



Cepillo de limpieza



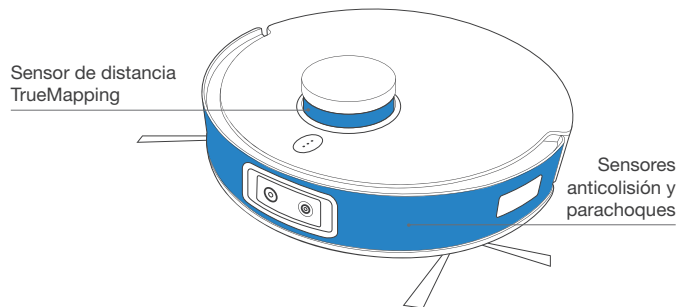
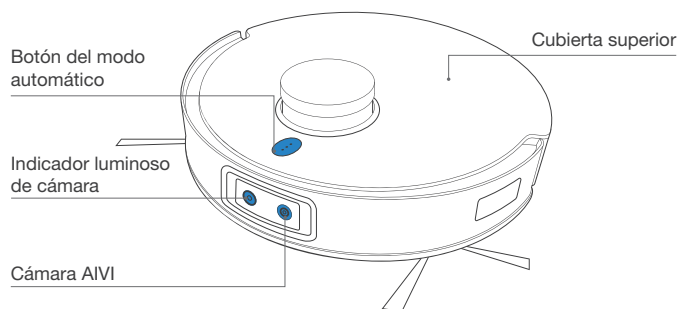
Manual de instrucciones



Herramienta de limpieza multifunción

Diagrama del producto

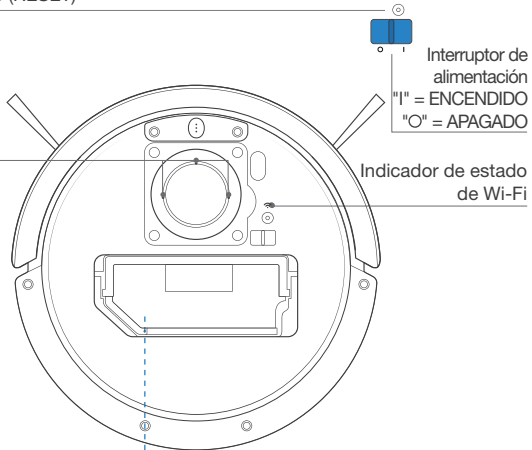
Robot



Nota: Las figuras e ilustraciones se muestran solo como referencia y pueden ser diferentes del aspecto real del producto. El diseño y las especificaciones del producto están sujetos a cambios sin previo aviso.

Botón de reinicio (RESET)

Micrófono



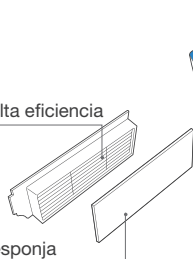
Interruptor de alimentación
"I" = ENCENDIDO
"O" = APAGADO

Indicador de estado de Wi-Fi

Recipiente para polvo

Filtro de alta eficiencia

Filtro de esponja



Asa del recipiente para polvo

Malla del filtro

Botón de liberación

Vista inferior

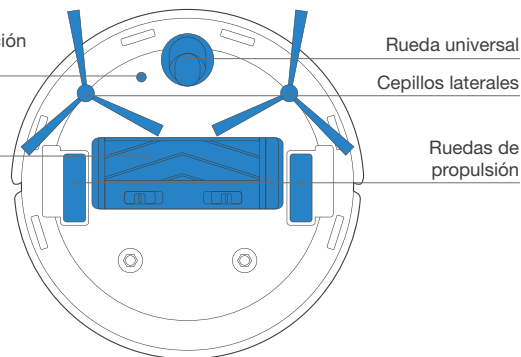
Sensor de detección de alfombras

Cepillo principal

Sensores anticaída

Botón de liberación del cepillo principal

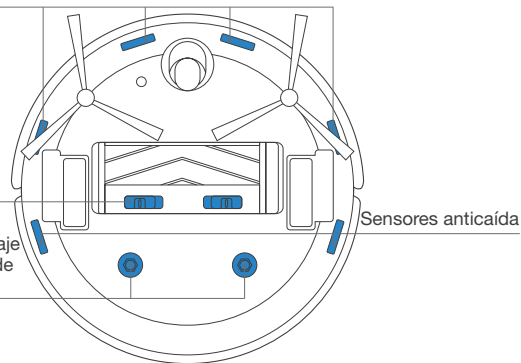
Ranuras de montaje para el conjunto de mopa de fregado



Rueda universal

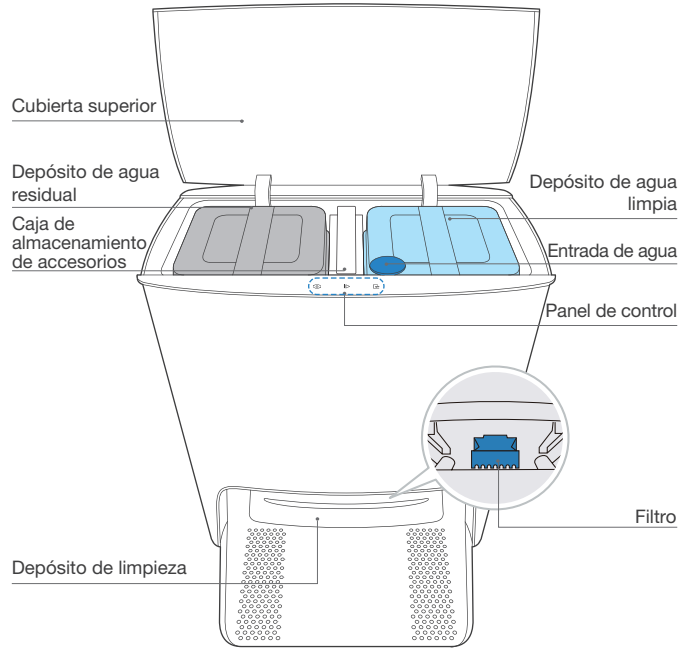
Cepillos laterales

Ruedas de propulsión



Sensores anticaída

Estación de limpieza



Botones de panel de control

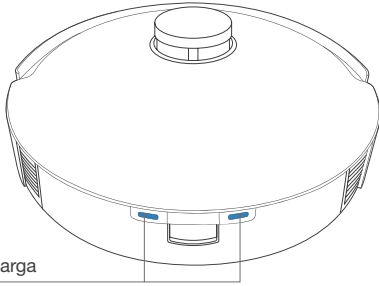
Botón de limpieza automática



Botón Volver/Salir

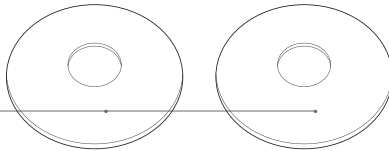
Botón de Inicio/Pausa

Contactos de carga

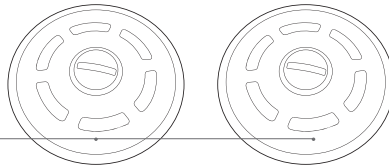


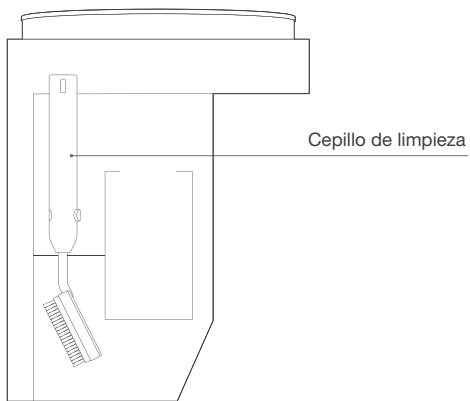
Conjunto de mopa de fregado

Mopas de fregado lavables

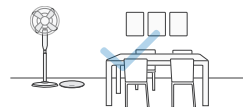


Bandejas de la mopa de fregado desechable





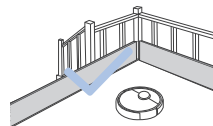
Observaciones antes de la limpieza



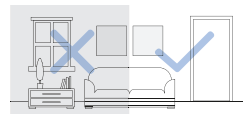
Ordene la zona que se va a limpiar colocando los muebles en su lugar, por ejemplo, las sillas.



Durante el primer uso, asegúrese de que todas las habitaciones tienen las puertas abiertas para que el DEEBOT pueda explorar la casa al completo.



Tal vez sea necesario colocar una barrera física en el borde de cualquier desnivel para evitar la caída del robot.



Asegúrese de que las zonas que va a limpiar están bien iluminadas para que la cámara AIVI funcione correctamente. Retire del suelo los cables de alimentación y los objetos pequeños para garantizar una limpieza eficaz.



Retire del suelo objetos como cables, trapos, zapatillas y demás para mejorar la eficacia de la limpieza.



Limpie la cámara AIVI y el sensor de distancia TrueMapping con un trapo suave, y evite usar detergentes o aerosoles de limpieza.



Antes de utilizar este producto en una alfombra de pelo corto con flecos, someta los bordes por debajo.



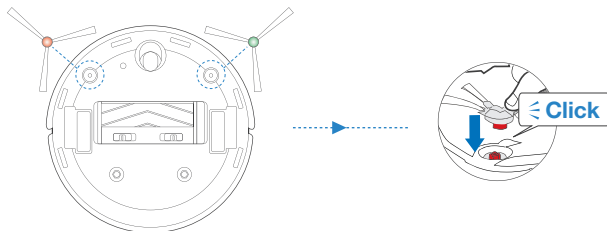
No se quede de pie en espacios estrechos como, por ejemplo, un pasillo, y asegúrese de que no bloquea la cámara AIVI.

Inicio rápido

Antes de utilizar el DEEBOT, retire todas las películas o tiras protectoras del DEEBOT y de la estación de limpieza.

Instale el cepillo lateral

Asegúrese de que el color del cepillo lateral coincida con el de la ranura de montaje.



Aplicación ECOVACS HOME

Para poder usar todas las funciones disponibles, se recomienda controlar el DEEBOT mediante la aplicación ECOVACS HOME.

Antes de comenzar, asegúrese de que:

- El teléfono móvil está conectado a una red Wi-Fi.
- La señal inalámbrica de banda de 2,4 GHz o 2,4/5 Ghz está activada en el router.
- La luz indicadora de Wi-Fi del DEEBOT parpadea lentamente.



Luz indicadora de Wi-Fi

	Parpadeo lento	Sin conexión Wi-Fi o esperando una conexión Wi-Fi
	Parpadeo rápido	Conectando con una red Wi-Fi
	Fija	Conectado con una red Wi-Fi

Conexión Wi-Fi

Antes de configurar la red Wi-Fi, asegúrese de que el DEEBOT, el teléfono móvil y la red Wi-Fi cumplen los siguientes requisitos.

Requisitos del DEEBOT y del teléfono móvil

- El DEEBOT está totalmente cargado y el interruptor de alimentación está encendido.
- La luz de estado de la conexión Wi-Fi parpadea lentamente.
- Ha desactivado los datos del teléfono móvil (puede volver a activarlos cuando termine la configuración).

Requisitos de la red Wi-Fi

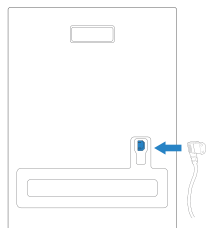
- Usa una red de 2,4 GHz o una red mixta de 2,4/5 GHz.
- Su router es compatible con el estándar 802.11b/g/n y el protocolo IPv4.
- No usa una VPN (red privada virtual) ni un servidor proxy.
- No usa una red oculta.
- WPA y WPA2 con cifrado TKIP, PSK o AES/CCMP.
- El WEP EAP (protocolo de autenticación extensible) no es compatible.
- Usa canales Wi-Fi del 1 al 11 en Estados Unidos y del 1 al 13 en el resto de países (consulte al organismo regulador local).
- Si usa un amplificador/repetidor de red, el nombre de la red (SSID) y la contraseña son los mismos que los de la red principal.

Después de conectarse a una red Wi-Fi, DEEBOT entrará en el modo de espera con red en caso de no detectar ninguna entrada de señal durante 10 minutos.

Tenga en cuenta que la realización de funciones inteligentes como el inicio remoto, las interacciones de voz, la visualización de mapas 2D/3D y los ajustes de control, así como la limpieza personalizada (en función de los diferentes productos) requiere que los usuarios descarguen y utilicen la aplicación ECOVACS HOME, que se actualiza constantemente. Debe aceptar nuestra Política de privacidad y Acuerdo de usuario de modo que podamos procesar parte de su información básica y necesaria y permitirle utilizar el producto a través de la aplicación ECOVACS HOME. Si no está de acuerdo con nuestra Política de privacidad y Acuerdo de usuario, algunas de las funciones inteligentes mencionadas anteriormente no se podrán realizar a través de la aplicación ECOVACS HOME, pero puede seguir utilizando las funciones básicas de este producto para su funcionamiento manual.

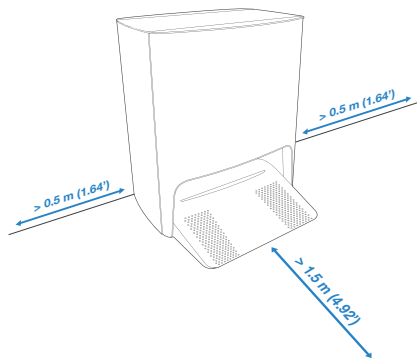
Carga del DEEBOT

1 Monte la estación de limpieza



2 Coloque la estación de limpieza

Mantenga el área alrededor de la estación libre de objetos y superficies reflectantes.

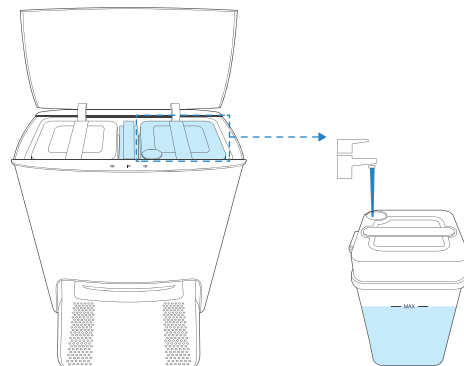


* Si hay objetos reflectantes tales como espejos y rodapiés reflectantes cerca de la estación, es preciso cubrir los 14 cm inferiores de estos elementos.

No exponga la estación a la luz solar directa.

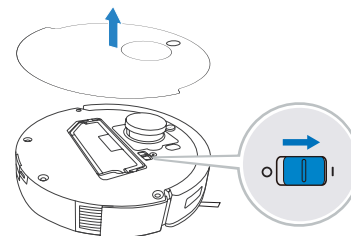
Se recomienda colocar la estación en el suelo duro para aprovechar todas las posibilidades del robot.

3 Añada agua al depósito de agua limpia



Nota: Se recomienda utilizar solución limpiadora de DEEBOT ECOVACS (se vende por separado). El uso de otra solución de limpieza puede provocar que el DEEBOT patine o que el depósito de agua se obstruya, entre otros problemas.

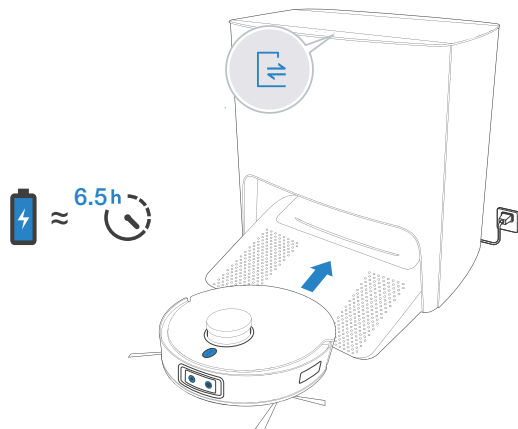
4 Encienda el dispositivo



Nota: I = ENCENDIDO, O = APAGADO.

El DEEBOT no se puede cargar si está apagado.

5 Cargue el DEEBOT



Se recomienda que el DEEBOT inicie la limpieza desde la base. No mueva la base durante la limpieza.

Funcionamiento del DEEBOT

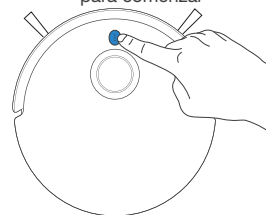
Al crear un mapa por primera vez, siga al DEEBOT para ayudar a resolver algunos problemas menores.

Por ejemplo, DEEBOT podría quedarse atascado debajo de los muebles más bajos. Consulte las soluciones siguientes según sea necesario:

- ① Levante el mobiliario si es posible.
- ② Cubra la parte inferior del mobiliario.
- ③ Configure un Límite virtual a través de la aplicación.

1 Inicio

Toque ⓘ en el DEEBOT o ▶ en la estación de limpieza para comenzar

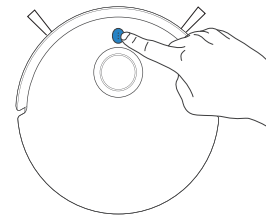


Nota:

1. Para la primera limpieza, asegúrese de que el DEEBOT esté completamente cargado.
2. No se recomienda montar las bandejas de la mopa de fregado desechable para la primera limpieza.

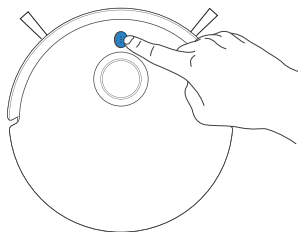
2 Pausa

Toque ⓘ en el DEEBOT o ▶ en la estación de limpieza para poner en pausa.



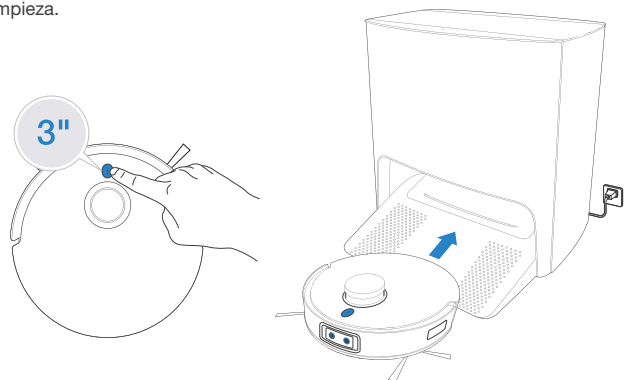
3 Reactivación

El indicador luminoso se apagará después de que el robot se ponga en pausa durante unos minutos. Toque ⓘ en el DEEBOT para reactivar el robot.



4 Volver a la estación

Toque ⓘ durante 3 segundos para enviar el DEEBOT de vuelta a la estación de limpieza.

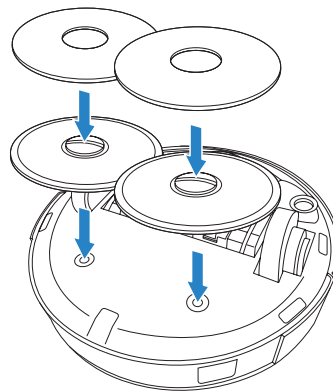


Nota: Cuando el DEEBOT no esté en funcionamiento, se recomienda dejarlo encendido y cargando.

Fregado

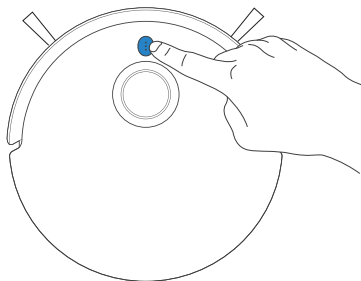
No use la función de fregado en alfombras o moquetas.

- 1 Acople las mopas de fregado y las bandejas de la mopa de fregado desechable.



2 Fregar

Toque  en el DEEBOT
o  en la estación de limpieza para iniciar el fregado



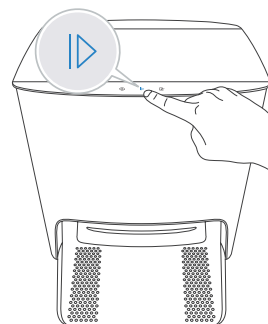
Nota:

1. No retire con frecuencia las mopas de fregado lavables.
2. No utilice un trapo ni ningún otro objeto para frotar las bandejas de la mopa de fregado.
3. Cuando la aplicación ECOVACS HOME indique que es necesario sustituir las mopas, sustitúyalas cuanto antes.

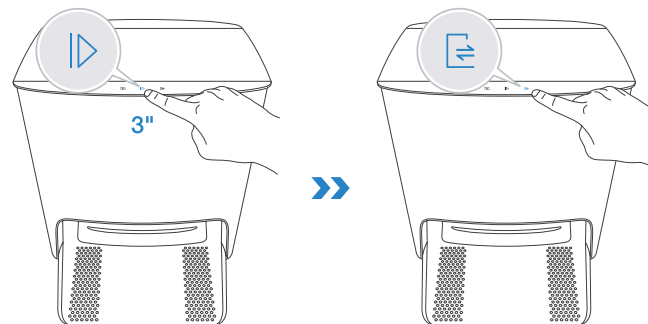
Descubra más accesorios en la aplicación ECOVACS HOME o en <https://www.ecovacs.com/global>.

Estación de limpieza

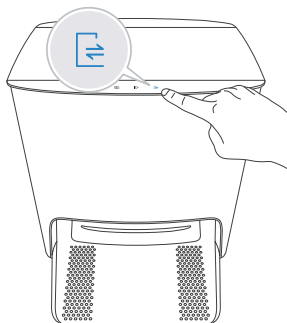
1 Inicio/Pausa de DEEBOT



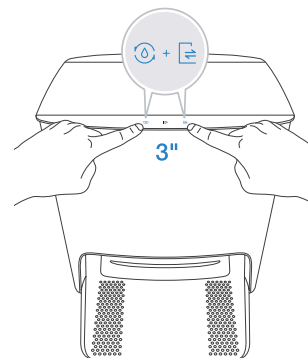
2 Llamar DEEBOT



3 Indica a DEEBOT que salga de la estación de limpieza



4 Bloqueo infantil **ACTIVADO/DESACTIVADO**



Quando el bloqueo infantil está activado, la tecla táctil del DEEBOT y la estación se bloquean para garantizar la seguridad. Repita el mismo paso para desactivar el bloqueo infantil.

Mantenimiento regular

Para mantener el rendimiento óptimo del DEEBOT, realice las tareas de mantenimiento y las sustituciones de piezas con la siguiente frecuencia:

Pieza del robot	Frecuencia de mantenimiento	Frecuencia de sustitución
Mopa de fregado lavable	/	Cada 1-2 meses
Cepillo lateral	Cada 2 semanas	Cada 3-6 meses
Cepillo principal	Una vez a la semana	Cada 6-12 meses
Filtro de esponja/filtro de alta eficiencia	Una vez a la semana	Cada 3-6 meses
Cámara AIVI Sensor de distancia TrueMapping Rueda universal Sensores anticaída Parachoques Contactos de carga Contactos de la estación de limpieza	Una vez a la semana	/
Depósito de limpieza	Cada 2 semanas	/
Depósito de agua limpia	Una vez cada 3 meses	/
Depósito de agua residual	Después de cada fregado	/
Estación de limpieza	Una vez al mes	/
Filtro	Una vez al mes	/

Antes de realizar cualquier tarea de limpieza y mantenimiento en el DEEBOT, APAGUE el robot y desenchufe la estación de limpieza.

A fin de facilitar las tareas de mantenimiento, el dispositivo se suministra con una herramienta de limpieza multifunción. Utilice la herramienta con cuidado, ya que sus bordes están afilados.

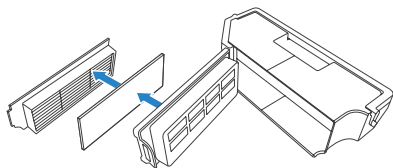
Nota: ECOVACS fabrica diversas piezas de repuesto y accesorios. Póngase en contacto con el servicio de atención al cliente para obtener más información sobre las piezas de repuesto.

Mantenimiento del recipiente para polvo

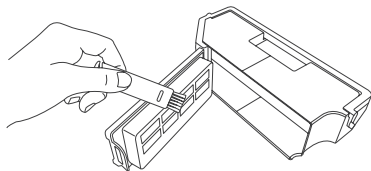
1



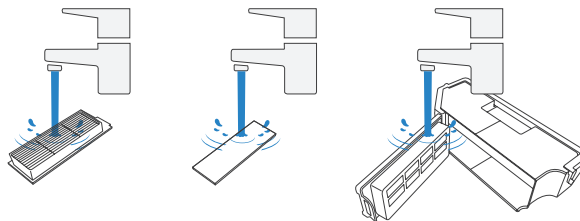
2



3



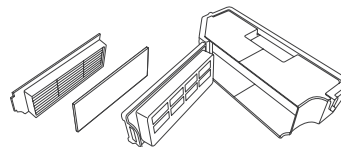
4



Nota:

1. Lave el filtro con agua tal como se muestra más arriba.
2. No utilice los dedos ni un cepillo para limpiar el filtro de alta eficiencia.

5

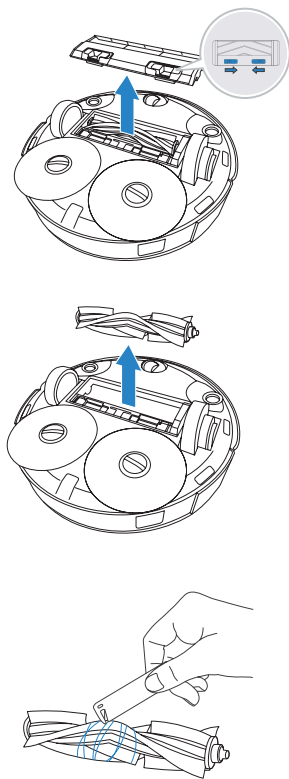


Nota:

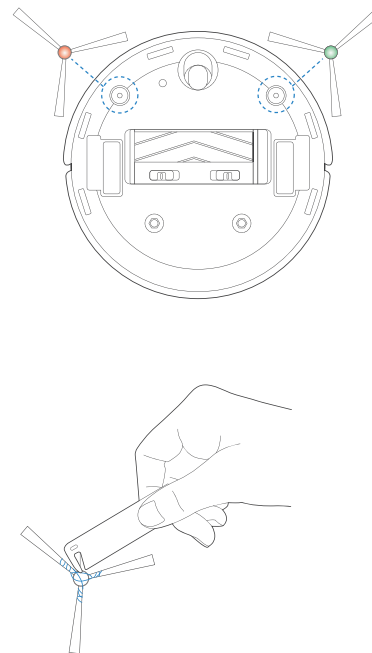
Seque completamente el filtro antes de usarlo.
Descubra más accesorios en la aplicación ECOVACS HOME o en <https://www.ecovacs.com/global>.

Mantenimiento del cepillo principal y los cepillos laterales

Cepillo principal

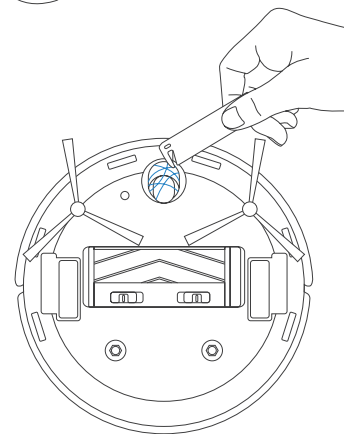
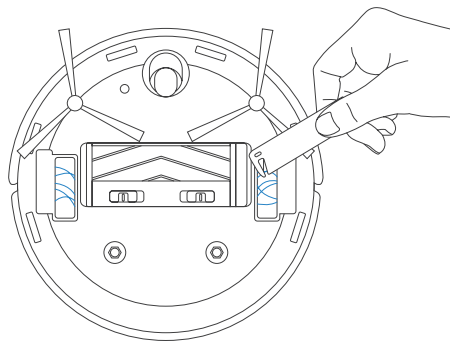
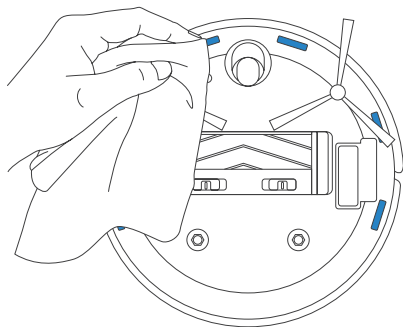
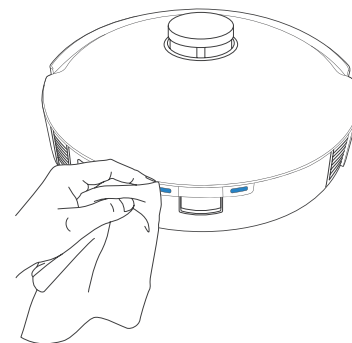
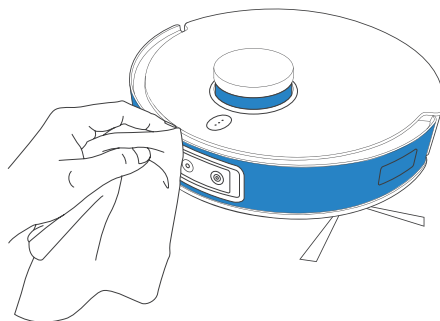
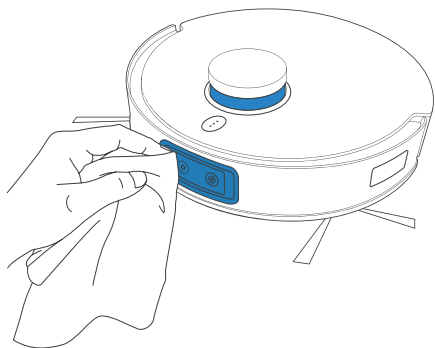


Cepillos laterales



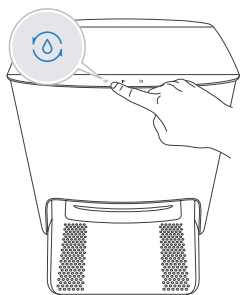
Mantenimiento del resto de componentes

Nota: Limpie los componentes con un paño limpio y seco. Evite el uso de aerosoles de limpieza o detergentes.

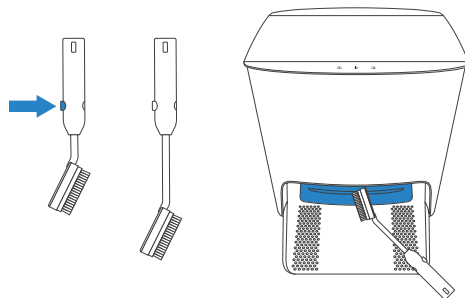


Mantenimiento de la estación de limpieza

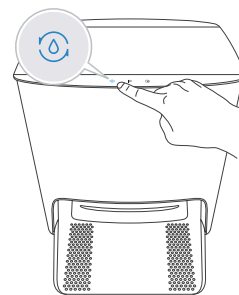
1 Añada agua al depósito de limpieza



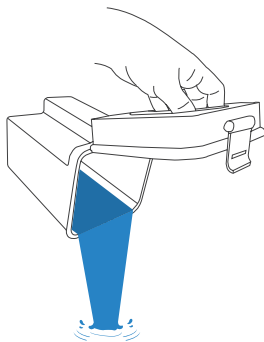
2 Limpie el depósito de limpieza



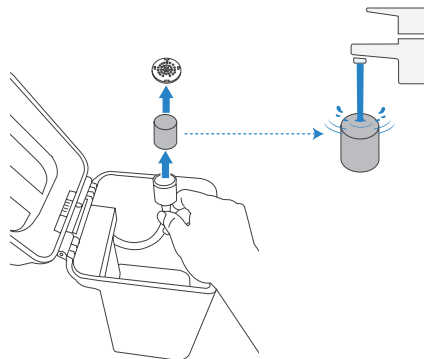
3 Vacíe todo el agua del depósito de limpieza



4 Vacíe el depósito de agua residual

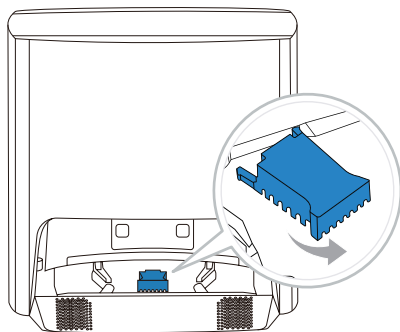


5 Limpie el filtro del depósito de agua limpia

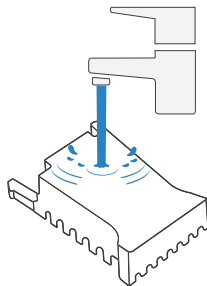


Mantenimiento del filtro

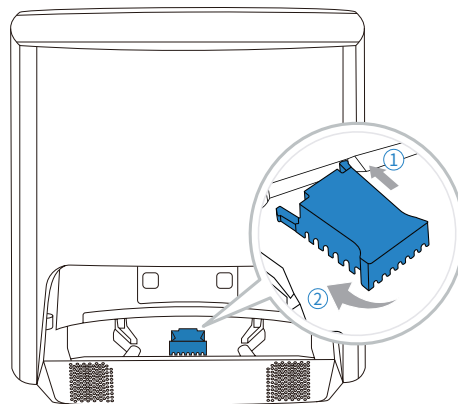
1 Extraiga el filtro



2 Lave el filtro




3 Instale el filtro






Solución de problemas

N.º	Problema	Posibles causas	Soluciones
1	El DEEBOT no puede conectarse a la aplicación ECOVACS HOME.	El nombre de usuario o la contraseña de la red Wi-Fi doméstica se han introducido de forma incorrecta.	Introduzca el nombre de usuario y la contraseña correctos de la red Wi-Fi doméstica.
		El DEEBOT no se encuentra dentro del alcance de la señal Wi-Fi doméstica.	Asegúrese de que el DEEBOT se encuentra dentro del alcance de la señal Wi-Fi doméstica.
		El DEEBOT no se encuentra en estado de configuración.	Asegúrese de que el DEEBOT esté conectado a la fuente de alimentación y encendido. Abra la cubierta y pulse el botón de reinicio (RESET). Un aviso sonoro indicará que el DEEBOT habrá entrado en estado de configuración.
		Instalación de la aplicación incorrecta.	Descargue e instale la aplicación ECOVACS HOME.
		No se está utilizando una red de 2,4 GHz o una red mixta de 2,4/5 GHz.	El DEEBOT no es compatible con la red 5G. Utilice una red de 2,4 GHz o una red mixta de 2,4/5 GHz.
2	El mapa se pierde.	Es posible que el mapa se pierda si mueve el DEEBOT durante la limpieza.	Mueva el DEEBOT a la parte frontal de la estación para recuperar el mapa. Busque el mapa restaurado en Gestión de mapas y toque "Usar este mapa" (Use This Map) para recuperarlo. Si el problema persiste después de probar las soluciones anteriores, reinicie el mapeo.
3	No se puede crear un mapa de mobiliario en la aplicación.	El DEEBOT no empieza a limpiar desde la base.	El DEEBOT debe empezar a limpiar desde la base.
		Mover el DEEBOT durante la limpieza puede hacer que la mopa se pierda.	Durante la limpieza, evite mover el DEEBOT en la medida de lo posible.
		La limpieza automática no ha finalizado.	Asegúrese de que el DEEBOT regrese automáticamente a la base después de la limpieza.
4	Los cepillos laterales del DEEBOT se caen durante el uso.	Los cepillos laterales no están instalados correctamente.	Asegúrese de que los cepillos laterales encajan correctamente en su lugar al instalarlos.

N.º	Problema	Posibles causas	Soluciones
5	No se ha encontrado ninguna señal. El robot no puede regresar a la base.	La base no está colocada correctamente.	Coloque la base correctamente de acuerdo con las instrucciones de la sección [Carga del DEEBOT].
		La base no tiene alimentación eléctrica o se ha movido manualmente.	Compruebe si la base está conectada a una fuente de alimentación. No mueva la estación manualmente.
		El DEEBOT no empieza a limpiar desde la base.	Se recomienda que el DEEBOT inicie la limpieza desde la base.
		La ruta de carga está bloqueada. Por ejemplo, la puerta de la habitación donde está la estación está cerrada.	Mantenga la ruta de carga despejada.
6	El DEEBOT regresa a la base antes de finalizar la limpieza.	La habitación es tan grande que el DEEBOT necesita volver para recargar.	Active la Limpieza continua. Para obtener más información, siga las instrucciones de la aplicación.
		El DEEBOT no puede llegar a determinadas áreas si hay muebles o barreras.	Ordene la zona que se va a limpiar colocando los muebles y los objetos pequeños en su sitio.
7	El DEEBOT no puede cargar.	El DEEBOT no está encendido.	Encienda el DEEBOT.
		Los contactos de carga del DEEBOT no están conectados a los conectores de la estación.	Asegúrese de que los contactos de carga del robot se han conectado a los contactos de la estación y que  parpadea. Compruebe si los contactos de carga del DEEBOT y de la base están sucios. Limpie estas piezas de acuerdo con las instrucciones de la sección [Mantenimiento].
		La base no está conectada a la fuente de alimentación.	Asegúrese de que la estación esté conectada al suministro eléctrico.
		La batería se cargará en exceso si no se utiliza el DEEBOT durante un largo periodo de tiempo.	Se recomienda utilizar el DEEBOT con regularidad. Si la batería no se puede cargar porque no se ha utilizado durante mucho tiempo, póngase en contacto con el servicio de atención al cliente para obtener ayuda.
8	El funcionamiento durante la limpieza es muy ruidoso.	Los cepillos laterales y el cepillo principal tienen restos enredados. El contenedor de polvo y los filtros están bloqueados.	Se recomienda limpiar regularmente los cepillos laterales, el cepillo principal, el recipiente para polvo, el filtro, etc.
		El DEEBOT está en modo Max.	Cambie al modo Standard.
9	El DEEBOT se atasca cuando está en funcionamiento y se detiene.	El DEEBOT se ha enredado con algún objeto en el suelo (cables eléctricos, cortinas, los flecos de una alfombra, etc.).	El DEEBOT probará varias formas de desenredarse. Si no lo consigue, retire los obstáculos manualmente y reinicie el dispositivo.
		El DEEBOT se puede quedar atascado debajo de los muebles de una altura similar a la suya.	Coloque una barrera física, o fije un límite virtual en la aplicación ECOVACS HOME.

N.º	Problema	Posibles causas	Soluciones
10	Durante la limpieza, el DEEBOT sigue su ruta sin orden, presenta un sesgo en su funcionamiento, limpia repetidamente un área, omite áreas pequeñas, etc. (Si hay un área grande que se queda sin limpiar temporalmente, el DEEBOT compensará el área omitida por sí solo. A veces el DEEBOT vuelve a una habitación limpia para buscar áreas que falten por limpiar).	Los objetos como cables y zapatillas colocados en el suelo afectan al funcionamiento normal del DEEBOT.	Recoja cables, zapatillas y cualquier otro objeto esparcido por el suelo antes de limpiar. Reduzca al máximo el número de objetos esparcidos por el suelo. Si se salta algún área, el DEEBOT lo corregirá por sí solo; no interfiera (es decir, no mueva el DEEBOT ni bloquee la ruta).
		Es posible que las ruedas motrices patinen sobre el suelo cuando el DEEBOT suba escalones o pase por umbrales y barras de puertas, afectando a su percepción de la casa.	Se recomienda cerrar la puerta de esa área y limpiarla por separado. Después de la limpieza, el DEEBOT volverá a la ubicación de partida. Puede estar tranquilo.
		Trabajar sobre suelos recién encerados y pulidos o sobre baldosas lisas reduce la fricción entre las ruedas motrices y el suelo.	Espere a que la cera se seque antes de comenzar con la limpieza.
		Debido a los diferentes entornos domésticos, algunas áreas no pueden limpiarse.	Despeje el entorno doméstico para que el DEEBOT pueda entrar a limpiar.
		El sensor de distancia TrueMapping está sucio o bloqueado por objetos extraños.	Limpie el sensor de distancia TrueMapping con un paño limpio y suave o retire cualquier objeto extraño.
11	El gestor de vídeo no puede abrirse o no tiene pantalla.	Error de conexión Wi-Fi.	Compruebe el estado de la conexión Wi-Fi. El DEEBOT debe estar en un área con buena señal Wi-Fi para activar el gestor de vídeo.
		El Gestor de vídeo no tiene autorización.	Compruebe su consentimiento en la Política de privacidad antes de utilizar el robot.
		Debido a la latencia de la red, es posible que no se pueda abrir el gestor de vídeo temporalmente.	Inténtelo de nuevo más tarde.
		La cámara AIVI está bloqueada.	Retire la protección.
12	Retardo del control remoto.	La señal Wi-Fi es deficiente, lo que provoca que la carga de vídeo sea lenta.	Utilice el DEEBOT en áreas con buena señal Wi-Fi.

N.º	Problema	Posibles causas	Soluciones
13	La cámara AIVI no reconoce objetos.	La zona de limpieza no está bien iluminada.	El reconocimiento inteligente requiere suficiente iluminación. Asegúrese de que las zonas que se van a limpiar estén bien iluminadas.
		La lente de la cámara AIVI está sucia u obstruida.	Limpie la lente con un paño suave y limpio y asegúrese de que el sensor no está obstruido. Evite usar detergentes o aerosoles durante la limpieza.
14	La bandeja de la mopa de fregado no puede girar.	La bandeja de la mopa de fregado está obstruida por objetos extraños.	Limpie los objetos extraños.
15	El DEEBOT no responde a la instrucción de la base.	El DEEBOT está demasiado lejos de la base.	Si está más alejado de la distancia disponible, también se puede utilizar la aplicación ECOVACS HOME para manejar el DEEBOT.
		El DEEBOT y la estación no se han emparejado.	Desenchufe la estación y espere 10 segundos para volver a enchufarla. Apague el robot y vuelva a encenderlo. Empuje manualmente el robot hacia la estación y asegúrese de que los conectores de carga estén correctamente conectados. A continuación, el DEEBOT comenzará a cargarse y un mensaje de voz le indicará que el emparejamiento se ha realizado correctamente.
16	No se ha podido activar el bloqueo infantil.	Interrupción de la comunicación entre la estación y el DEEBOT (por ejemplo: distancia larga o muchos tabiques)	Mueva el DEEBOT cerca de la estación para garantizar una buena comunicación y, a continuación, active el bloqueo infantil.
17	Las ruedas de propulsión están bloqueadas.	Las ruedas de propulsión están bloqueadas por objetos extraños.	Gire y presione las ruedas de propulsión para comprobar si hay algún objeto extraño envuelto o atascado. Si hay algún objeto extraño, retírelo. Si el problema persiste, póngase en contacto con el servicio de atención al cliente para solicitar ayuda.

N.º	Problema	Posibles causas	Soluciones
18	Cuando el depósito de limpieza está lleno de agua y no se puede vaciar, la voz informa de que el fregadero está lleno.	El depósito de agua residual no está instalado correctamente.	Golpee suavemente el depósito de agua residual para asegurarse de que está instalado correctamente.
		Los tapones de sellado del depósito de agua residual no están colocados correctamente.	Asegúrese de que los tapones de sellado están colocados correctamente.
		La estación no puede vaciar el agua con normalidad.	Toque dos veces  para ver si la estación puede extraer el agua correctamente. Si el problema se produce durante el proceso de limpieza de las mopas de fregado, mantenga pulsado  para finalizar la tarea y, a continuación, toque dos veces  para ver si la estación puede extraer el agua correctamente. Si el agua se extrae correctamente, seque con un paño el sensor de desbordamiento de agua del depósito de limpieza. Si la estación no logra extraer el agua, compruebe si hay partículas extrañas entre el depósito de agua residual y la estación y límpiela.
		El puerto de succión del depósito de limpieza está bloqueado por un objeto extraño.	Asegúrese de que no haya objetos extraños en el puerto de succión del fregadero.
		El mensaje de voz sigue emitiéndose después de probar las soluciones anteriores.	Desenchufe la estación y vuelva a enchufarla. Si el problema persiste, póngase en contacto con el servicio de atención al cliente para solicitar ayuda.

Especificaciones técnicas

Modelo	DBX23
Tensión nominal de entrada	20 V \equiv 2 A
Modelo con estación de limpieza	CH2128
Tensión nominal de entrada (carga)	220-240 V \sim 50-60 Hz 0,3 A
Potencia (secado)	100 W
Tensión nominal de salida	20 V \equiv 2 A
Bandas de frecuencia	2400-2483,5 MHz
Consumo en modo de espera en red	Menos de 2 W

La potencia de salida del módulo de Wi-Fi es inferior a 100 mW.

Nota: Las especificaciones técnicas y de diseño podrían variar debido al continuo desarrollo del producto.

Descubra más accesorios en <https://www.ecovacs.com/global>.

Consignes de sécurité importantes

CONSIGNES DE SÉCURITÉ IMPORTANTES

Lors de l'utilisation d'un appareil électrique, des précautions de base doivent toujours être respectées, dont les suivantes :

LIRE TOUTES LES INSTRUCTIONS AVANT D'UTILISER CET APPAREIL CONSERVER CES INSTRUCTIONS

1. Cet appareil peut être utilisé par des enfants à partir de 8 ans, ainsi que par des personnes dont les facultés physiques, sensorielles ou mentales sont diminuées, ou bien qui manquent d'expérience et de connaissances, à la condition qu'ils aient été informés sur la façon de se servir de l'appareil de manière sûre et qu'ils aient compris les risques éventuels. Les enfants ne doivent pas jouer avec l'appareil. Les processus de nettoyage et d'entretien de routine ne doivent pas être effectués par des enfants sans la surveillance d'un adulte.
2. Débarrasser la zone à nettoyer. Retirer les cordons d'alimentation et les petits objets présents sur le sol et susceptibles de se prendre dans l'appareil. Replier les franges sous les tapis et relever les rideaux et les nappes pour qu'ils ne traînent pas sur le sol.
3. Si le sol présente une déclivité dans la zone à nettoyer (une marche ou un escalier, par exemple), veiller à ce que l'appareil puisse détecter la marche sans tomber. Il peut s'avérer nécessaire de placer une barrière physique aux abords de la déclivité pour empêcher l'appareil de tomber. S'assurer que la barrière physique ne présente pas de risque de chute.
4. Utiliser l'appareil uniquement comme indiqué dans le présent manuel. Utiliser uniquement des accessoires recommandés ou vendus par le fabricant.
5. S'assurer que la tension d'alimentation correspond à celle indiquée sur la station de nettoyage.
6. **UNIQUEMENT** destiné à un usage domestique en **INTÉRIEUR**. Ne pas utiliser l'appareil à l'extérieur ni dans des environnements industriels ou commerciaux.
7. Utiliser uniquement la batterie rechargeable et la station de nettoyage d'origine fournies avec l'appareil par le fabricant. Les batteries non rechargeables sont interdites.

8. Ne pas utiliser l'appareil sans réservoir à poussière et/ou sans filtre.
9. Ne pas faire fonctionner l'appareil en présence de bougies allumées ou d'objets fragiles.
10. Ne pas utiliser l'appareil dans des environnements très chauds ou très froids (température inférieure à -5 °C/23 °F ou supérieure à 40 °C/104 °F).
11. Éloigner les cheveux, les vêtements amples, les doigts et toutes les parties du corps des orifices et des pièces mobiles.
12. Ne pas faire fonctionner l'appareil dans une pièce dans laquelle un nourrisson ou un enfant dort.
13. Ne pas utiliser l'appareil sur des surfaces humides ou recouvertes d'eau.
14. Ne pas laisser l'appareil ramasser des objets volumineux comme des pierres, de gros morceaux de papier ou tout élément susceptible de l'obstruer.
15. Ne pas utiliser l'appareil pour ramasser des matériaux inflammables ou combustibles (essence et toners d'imprimante ou de photocopieur, par exemple) ni dans des endroits où ces produits sont susceptibles d'être présents.
16. Ne pas utiliser l'appareil pour ramasser des objets en train de brûler ou de fumer (comme des cigarettes, des allumettes, des cendres chaudes) ou tout ce qui pourrait provoquer un incendie.
17. Ne pas placer d'objet dans la tête d'aspiration. Ne pas utiliser l'appareil si la tête d'aspiration est bloquée. Retirer de la tête d'aspiration la poussière, les peluches, les cheveux ou tout ce qui peut réduire le débit d'air.
18. Veiller à ne pas endommager le cordon d'alimentation. Ne pas déplacer l'appareil ou la station de nettoyage en tirant sur le cordon d'alimentation, ne pas utiliser le cordon d'alimentation comme une poignée, ne pas le coincer dans une porte et ne pas tirer le cordon sur des bords ou coins tranchants. Ne pas faire rouler l'appareil sur le cordon d'alimentation. Maintenir le cordon d'alimentation à l'écart des surfaces chaudes.
19. Si le cordon d'alimentation est endommagé, il doit être remplacé par le fabricant ou son intermédiaire de service afin d'éviter tout accident.
20. Ne pas utiliser la station de nettoyage si elle est endommagée. Si l'alimentation est

- endommagée ou défectueuse, cesser de l'utiliser et ne pas tenter de la réparer.
21. Ne pas utiliser l'appareil si le cordon d'alimentation ou le réservoir est endommagé. Ne pas utiliser l'appareil ou la station de nettoyage s'ils ne fonctionnent pas correctement, ont subi une chute, ont été endommagés, sont restés à l'extérieur ou sont entrés en contact avec de l'eau. Ils doivent être réparés par le fabricant ou son intermédiaire de service afin d'éviter tout accident.
 22. Couper l'alimentation avant le nettoyage ou l'entretien de l'appareil.
 23. Le bouchon doit être retiré du réservoir avant le nettoyage ou l'entretien de la station de nettoyage.
 24. Pour la mise au rebut de l'appareil, retirer l'appareil de la station de nettoyage, couper l'alimentation et retirer la batterie.
 25. La batterie doit être déposée et mise au rebut conformément aux lois et réglementations locales avant la mise au rebut de l'appareil.
 26. Mettre au rebut les batteries usagées conformément aux lois et réglementations locales.
 27. Ne pas incinérer l'appareil, même s'il est gravement endommagé. Les batteries peuvent exploser sous l'effet du feu.
 28. Si la station de nettoyage n'est pas utilisée pendant une longue période, la débrancher.
 29. L'appareil doit être utilisé conformément aux consignes figurant dans ce manuel d'instructions. ECOVACS ROBOTICS ne peut être tenu responsable de tout dommage ou préjudice causé par une utilisation incorrecte.
 30. Le robot contient des batteries que seules des personnes qualifiées peuvent remplacer. Pour remplacer la batterie du robot, contacter le service client.
 31. Si le robot n'est pas utilisé pendant une longue période, le mettre hors tension pour le ranger. Débrancher la station de nettoyage.
- 32. AVERTISSEMENT :** Seule l'unité d'alimentation amovible CH2128 fournie avec l'appareil doit être utilisée pour recharger la batterie.







Pour répondre aux exigences d'exposition aux RF, une distance de séparation de 20 cm ou plus doit être maintenue entre ce dispositif et les personnes pendant le fonctionnement du dispositif.

Pour garantir la conformité, les opérations à une distance inférieure à cette distance ne sont pas recommandées. L'antenne utilisée pour cet émetteur ne doit pas être co-située avec une autre antenne ou un autre émetteur.

Mise à jour de l'appareil

En général, certains appareils sont mis à jour deux fois par mois, mais ce n'est pas toujours le cas.

Certains appareils, en particulier ceux commercialisés il y a plus de trois ans, ne seront mis à jour que si une faille critique est détectée et corrigée.

	Classe II
	Transformateur d'isolement résistant aux courts-circuits
	Alimentation à découpage
	Utiliser uniquement à l'intérieur
	Courant continu
	Courant alternatif

Pour les pays de l'Union européenne

Pour obtenir des informations sur la déclaration de conformité de l'UE, rendez-vous sur <https://www.ecovacs.com/global/compliance>.

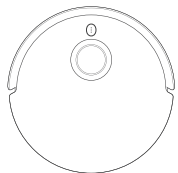


Mise au rebut correcte de ce produit

Ce marquage indique que ce produit ne doit pas être jeté avec les autres déchets ménagers dans toute l'Union européenne. Pour prévenir d'éventuels dommages à l'environnement ou la santé humaine dus à une mise au rebut non contrôlée, recycler l'appareil de façon responsable afin d'assurer la réutilisation durable de ses ressources matérielles. Pour recycler votre appareil usagé, merci d'utiliser le système de retour et de collecte ou de contacter le détaillant qui vous l'a vendu. Il peut recycler ce produit en toute sécurité.

La télésurveillance est destinée à l'usage privé absolu de lieux non publics, de propriétés privées, à des fins d'autoprotection et de contrôle unique exclusivement. Merci de prendre connaissance des obligations légales locales en matière de protection des données en cas d'utilisation. Pas de surveillance des lieux publics, notamment dans un but dissimulé et/ou de la part de l'employeur sans raisons justifiées. Une telle utilisation non justifiée se fait aux risques et sous la responsabilité de l'utilisateur.

Contenu de l'emballage



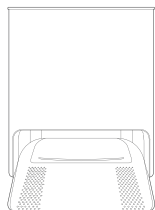
Robot



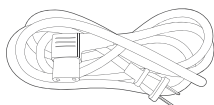
Brosses latérales doubles



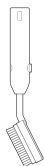
Lingettes lavables



Station de nettoyage



Cordon d'alimentation



Brosse de nettoyage



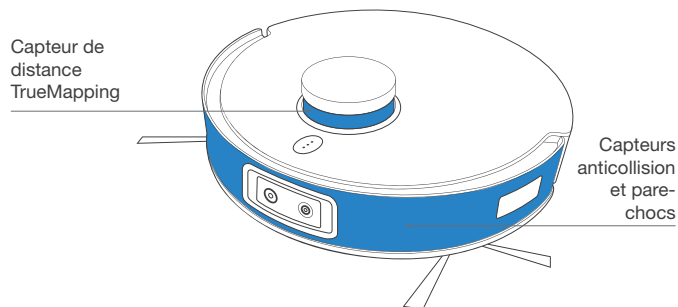
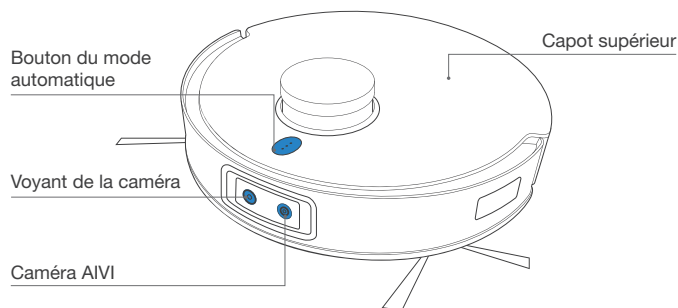
Manuel d'instructions



Outil de nettoyage multifonction

Schéma du produit

Robot



Remarque : Les figures et illustrations sont fournies uniquement à titre de référence, et peuvent ne pas représenter l'apparence du produit. La conception et les spécifications du produit peuvent être modifiées sans préavis.

Bouton de réinitialisation

Microphone

Commutateur
d'alimentation
« | »=ON
« O »=OFF

Voyant d'état
Wi-Fi

Réservoir à poussière

Filtre haute efficacité

Filtre éponge

Poignée du réservoir à
poussière

Filet du filtre

Bouton de
déverrouillage

Vue de dessous

Capteur de détection
de moquette/tapis

Brosse principale

Capteurs antichute

Bouton de
déverrouillage
de la brosse
principale

Fentes de fixation
pour l'assemblage
de patin de lavage

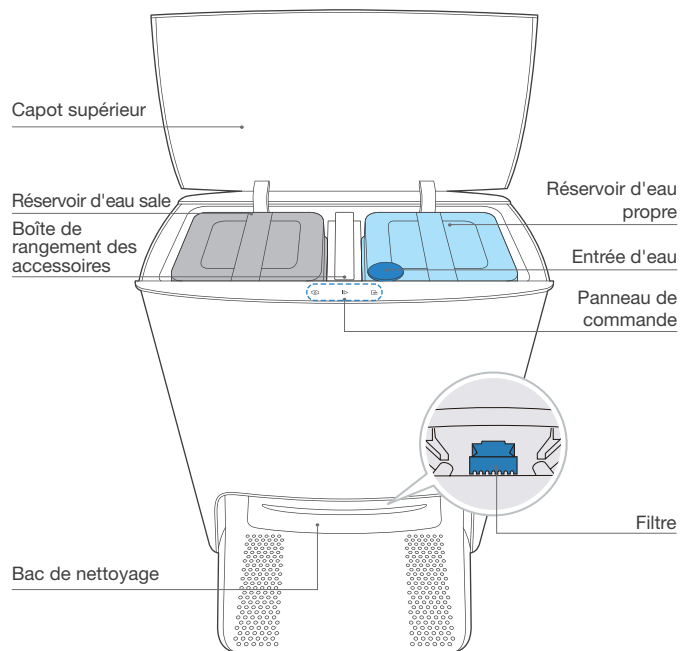
Roue universelle

Brosses latérales

Roues motrices

Capteurs antichute

Station de nettoyage



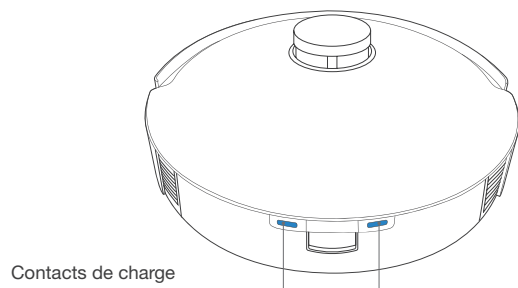
Boutons du panneau de commande

Bouton de nettoyage automatique

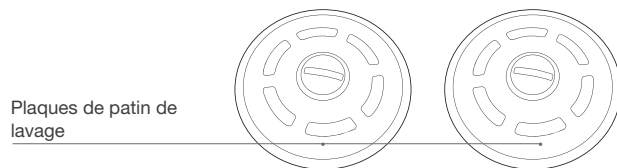
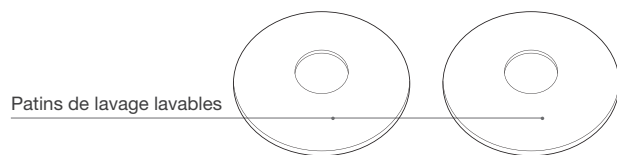


Bouton Rappel/Quitter

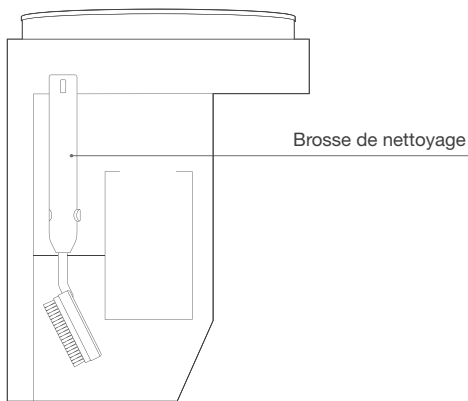
Bouton Démarrage/Pause



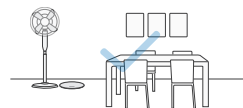
Assemblage de patin de lavage



Boîte de rangement des accessoires



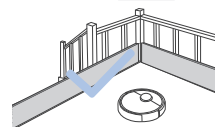
Remarques avant le nettoyage



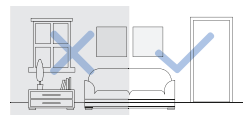
Ranger la zone à nettoyer en mettant les meubles, par exemple les chaises, à leur place exacte.



Pour la première utilisation, s'assurer que les portes de toutes les pièces sont ouvertes pour que le DEEBOT puisse explorer entièrement votre domicile.



Il peut s'avérer nécessaire de placer une barrière physique aux abords d'une dénivelité pour empêcher l'appareil de tomber.



S'assurer que les zones à nettoyer sont bien éclairées pour que la caméra AIVI fonctionne correctement. Retirer les cordons d'alimentation et les petits objets présents sur le sol pour garantir l'efficacité du nettoyage.



Ranger les objets tels que câbles, vêtements et chaussures, etc. pour une efficacité optimale de nettoyage.



Nettoyer la caméra AIVI et le capteur de distance TrueMapping avec un chiffon propre, en évitant d'utiliser du détergent ou un spray de nettoyage.



Avant d'utiliser l'appareil sur un tapis à poil ras avec des franges, replier les bords sur eux-mêmes.



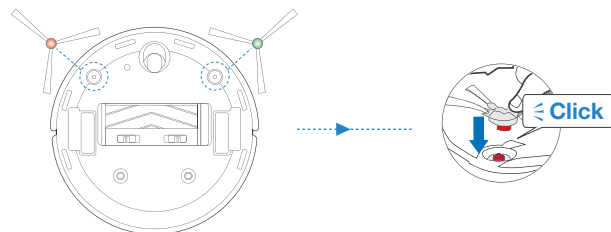
Il est important que personne ne se tienne debout dans les espaces étroits, tels que les corridors, et de veiller à ne pas bloquer la caméra AIVI.

Démarrage rapide

Avant d'utiliser le DEEBOT, retirer tous les films de protection ou les bandes protectrices du robot et de la station de nettoyage.

Installation de la brosse latérale

S'assurer que la couleur de la brosse latérale double correspond à celle de la fente de fixation.



Application ECOVACS HOME

Pour profiter de toutes les fonctionnalités disponibles, il est recommandé de commander votre DEEBOT via l'application ECOVACS HOME.

Avant de commencer à utiliser le robot, assurez-vous que :

- votre téléphone portable est connecté à un réseau Wi-Fi ;
- le signal sans fil de bande 2,4 Ghz ou 2,4/5 Ghz est activé sur votre routeur ;
- le voyant Wi-Fi de votre DEEBOT clignote lentement.



Voyant Wi-Fi

	Clignotement lent	Déconnecté du Wi-Fi ou en attente de connexion Wi-Fi
	Clignotement rapide	Connexion au Wi-Fi en cours
	Fixe	Connecté au Wi-Fi

Connexion Wi-Fi

Avant de configurer le Wi-Fi, s'assurer que votre DEEBOT, votre téléphone portable et votre réseau Wi-Fi répondent aux exigences énoncées ci-dessous.

Exigences du DEEBOT et du téléphone portable

- Le DEEBOT est complètement chargé et son interrupteur d'alimentation activé.
- Le voyant d'état Wi-Fi clignote lentement.
- Les données mobiles du téléphone portable sont désactivées (vous pouvez les réactiver après la configuration).

Exigences du réseau Wi-Fi

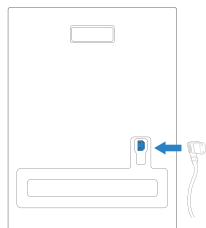
- Vous utilisez un réseau mixte de 2,4 GHz ou 2,4/5 GHz.
- Votre routeur prend en charge les protocoles 802.11b/g/n et IPv4.
- Vous n'utilisez pas de VPN (réseau privé virtuel) ou de serveur proxy.
- Vous n'utilisez pas de réseau caché.
- Cryptage WPA et WPA2 utilisant TKIP, PSK, AES/CCMP.
- WEP EAP (Enterprise Authentication Protocol) n'est pas pris en charge.
- Vous utilisez les réseaux Wi-Fi 1-11 si vous êtes en Amérique du Nord et 1-13 en dehors de l'Amérique du Nord (référez-vous à l'organisme de réglementation local).
- Si vous utilisez un extenseur/répéteur réseau, le nom du réseau (SSID) et le mot de passe sont identiques à votre réseau principal.

Après la connexion Wi-Fi, DEEBOT entrera en mode Veille réseau s'il n'y a pas de signal dans un délai de 10 minutes.

Veillez noter que pour profiter de fonctions intelligentes telles que le démarrage à distance, l'interaction vocale, l'affichage de cartes 2D/3D et les paramètres de contrôle, ainsi que le nettoyage personnalisé (selon les produits), les utilisateurs doivent télécharger et utiliser l'application ECOVACS HOME, qui est constamment mise à jour. Vous devez accepter notre Politique de confidentialité et notre Accord de l'utilisateur avant que nous puissions traiter certaines de vos informations de base et nécessaires et vous permettre d'utiliser le produit via l'application ECOVACS HOME. Si vous n'acceptez pas notre Politique de confidentialité et notre Accord de l'utilisateur, certaines des fonctions intelligentes susmentionnées ne peuvent pas être utilisées via l'application ECOVACS HOME, mais vous pouvez toujours profiter des fonctions de base de ce produit en mode manuel.

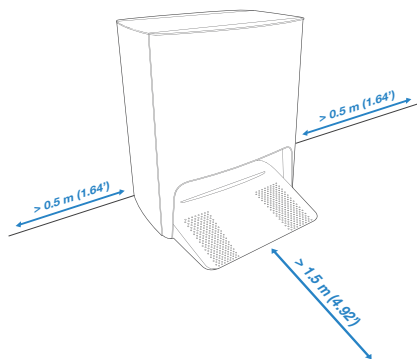
Charger le DEEBOT

1 Assemblage de la station de nettoyage



2 Positionnement de la station de nettoyage

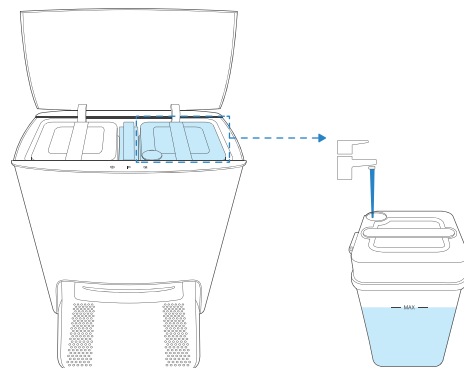
Maintenir la zone autour de la station exempte d'objets et de surfaces réfléchissantes.



* Si des objets réfléchissants tels que des miroirs et des plinthes réfléchissantes se trouvent près de la station, la partie inférieure doit être couverte sur 14 cm. Ne pas exposer la station à la lumière directe du soleil.

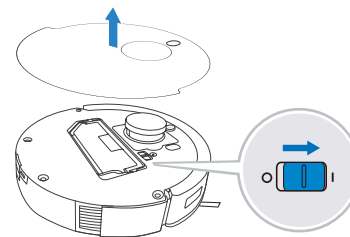
Il est recommandé de placer la station sur le plancher pour tester toutes les fonctions du robot.

3 Ajouter de l'eau dans le réservoir d'eau propre



Remarque : Il est recommandé d'utiliser une solution de nettoyage DEEBOT ECOVACS (vendue séparément). En cas d'utilisation d'une autre solution de nettoyage, le DEEBOT risque de patiner, le réservoir d'eau pourrait se boucher et d'autres problèmes pourraient survenir.

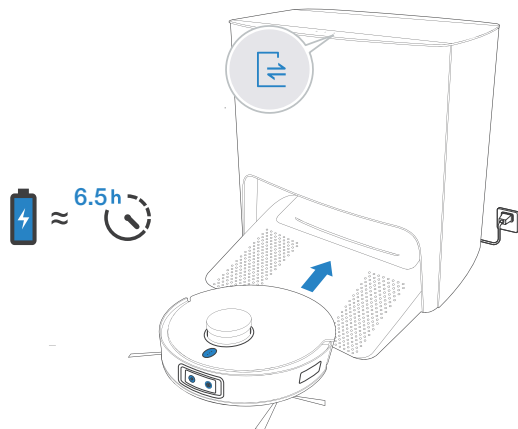
4 Mise sous tension



Remarque : I = ON, O = OFF.

Il est impossible de charger le DEEBOT s'il est hors tension (OFF).

5 Charger le DEEBOT



Il est préférable que le DEEBOT commence le nettoyage à partir de la station.
Ne pas déplacer la station pendant le nettoyage.

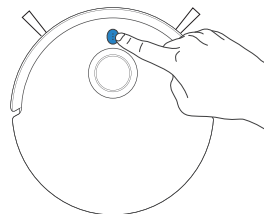
Fonctionnement du DEEBOT

Lors de la création d'une carte pour la première fois, suivre les instructions du DEEBOT pour éliminer certains problèmes mineurs. Par exemple, le DEEBOT peut se coincer sous les meubles. Se reporter aux instructions suivantes :

- ① Soulever le meuble si possible ;
- ② Couvrir le bas du meuble ;
- ③ Configurer la limite virtuelle via l'application.

1 Démarrage

Appuyer sur ⓘ sur le DEEBOT ou ▶▶ sur la station de nettoyage pour démarrer

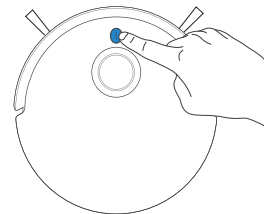


Remarque :


1. Lors du premier nettoyage, s'assurer que le DEEBOT est complètement chargé.
2. Il est déconseillé d'assembler les plaques de patin de lavage lors du premier nettoyage.

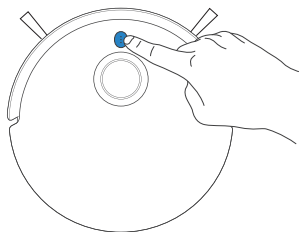
2 Mise en pause

Appuyer sur ⓘ sur le robot DEEBOT ou ▶▶ sur la station de nettoyage pour mettre en pause.




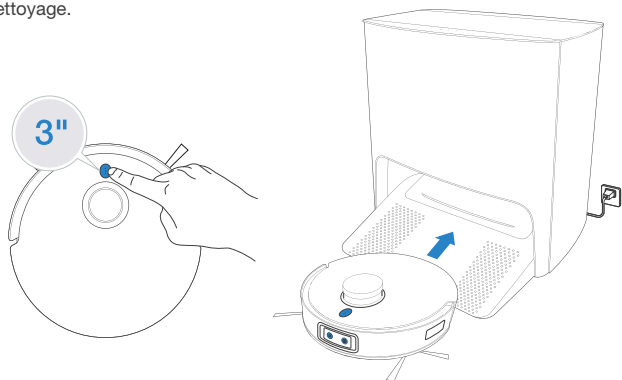
3 Réactivation

Le voyant s'éteint après quelques minutes de pause. Appuyer sur  sur le robot DEEBOT pour le réactiver.



4 Retour à la station

Appuyer sur  pendant 3 secondes pour renvoyer le DEEBOT à la station de nettoyage.

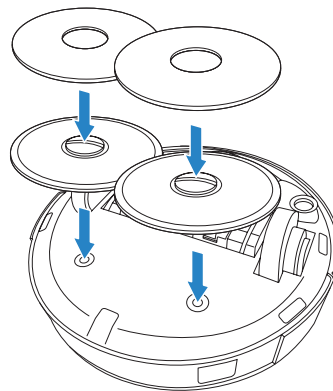


Remarque : Lorsque le robot DEEBOT ne nettoie pas, il est recommandé de le laisser sous tension et en charge.


Lavage

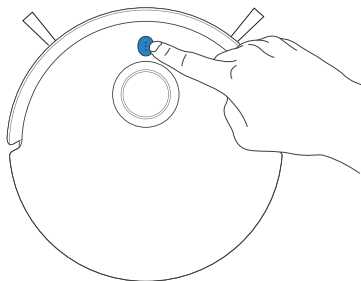
Ne pas utiliser la fonction de lavage sur les tapis/la moquette.

1 Fixer les lingettes lavables et les plaques de patin de lavage.



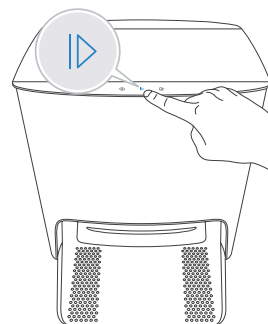
2 Laver

Appuyer sur  sur le DEEBOT
ou  sur la station de nettoyage pour commencer le lavage

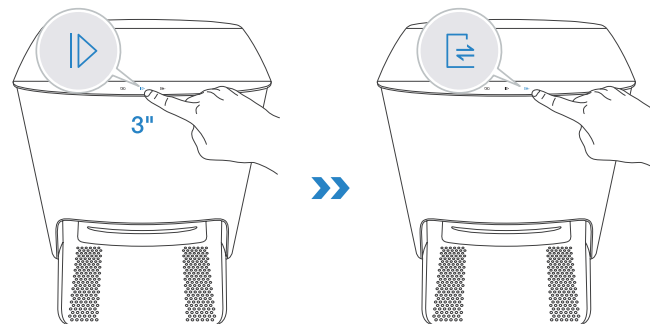


Station de nettoyage

1 Démarrer/Mettre en pause le DEEBOT



2 Rappeler le DEEBOT

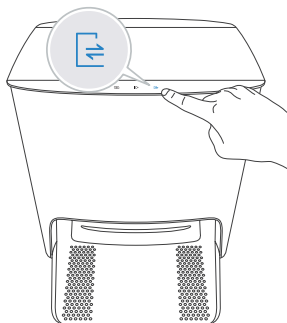


Remarque :

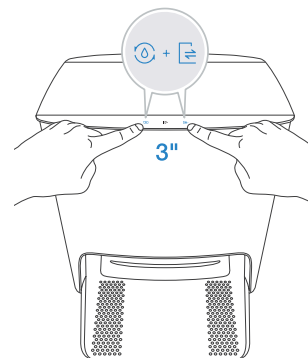
1. Ne pas retirer trop fréquemment les patins de lavage lavables.
2. Ne pas utiliser de chiffon ou tout autre objet pour frotter les plaques de patin de lavage.
3. Lorsque l'application ECOVACS HOME indique que les patins doivent être remplacés, veuillez les remplacer à temps.

Découvrir plus d'accessoires dans l'application ECOVACS HOME ou sur le site <https://www.ecovacs.com/global>.

3 Demander au DEEBOT de quitter la station de nettoyage



4 Sécurité enfant activée/désactivée



Lorsque la sécurité enfant est activée, les boutons du DEEBOT et de la station sont verrouillés. Répéter la même étape pour désactiver la sécurité enfant.

Entretien régulier

Pour maintenir les performances optimales du DEEBOT, réaliser les tâches d'entretien et remplacer les pièces à la fréquence suivante :

Pièce du robot	Fréquence d'entretien	Fréquence de remplacement
Patin de lavage lavable	/	Tous les 1 à 2 mois
Brosse latérale	Une fois toutes les 2 semaines	Tous les 3 à 6 mois
Brosse principale	Une fois par semaine	Tous les 6 à 12 mois
Filtre éponge/Filtre haute efficacité	Une fois par semaine	Tous les 3 à 6 mois
Caméra AIVI Capteur de distance TrueMapping Roue universelle Capteurs antichute Pare-chocs Contacts de charge Broches de la station de nettoyage	Une fois par semaine	/
Bac de nettoyage	Une fois toutes les 2 semaines	/
Réservoir d'eau propre	Une fois tous les 3 mois	/
Réservoir d'eau sale	Après chaque lavage	/
Station de nettoyage	Une fois par mois	/
Filtre	Une fois par mois	/

Pour procéder aux tâches de nettoyage et d'entretien du DEEBOT, le mettre hors tension et débrancher la station de nettoyage.

Un outil de nettoyage multifonction est fourni pour faciliter l'entretien. Manipuler cet outil avec soin, car ses bords sont tranchants.

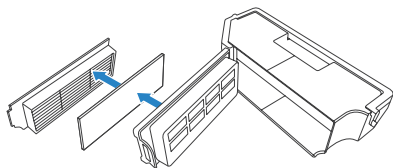
Remarque : ECOVACS fabrique divers accessoires et pièces de remplacement. Contacter le service clientèle pour plus d'informations sur les pièces de remplacement.

Entretien du réservoir à poussière

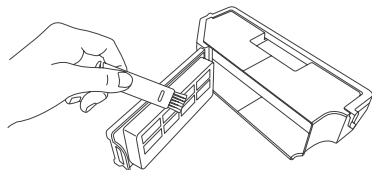
1



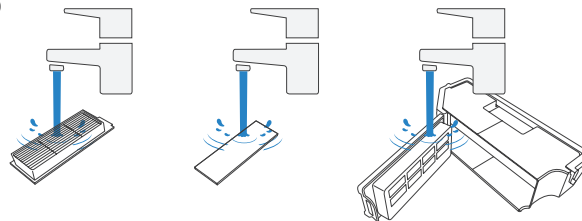
2



3



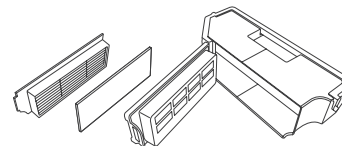
4



Remarque :

1. Rincer le filtre à l'eau comme indiqué ci-dessus.
2. N'utiliser ni votre doigt ni une brosse pour nettoyer le filtre à haute efficacité.

5

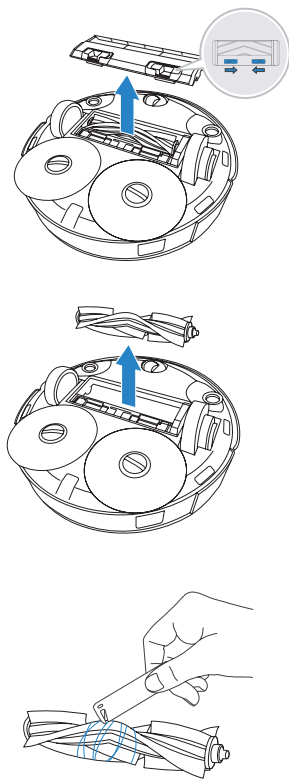


Remarque :

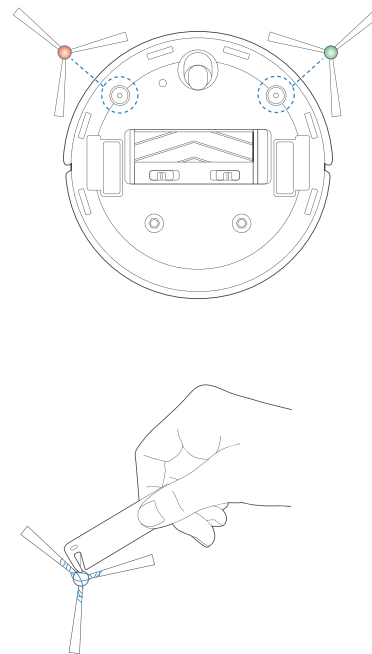
- Sécher complètement le filtre avant utilisation.
Découvrir plus d'accessoires sur l'application ECOVACS HOME ou sur le site <https://www.ecovacs.com/global>.

Entretien de la brosse principale et des brosses latérales

Brosse principale

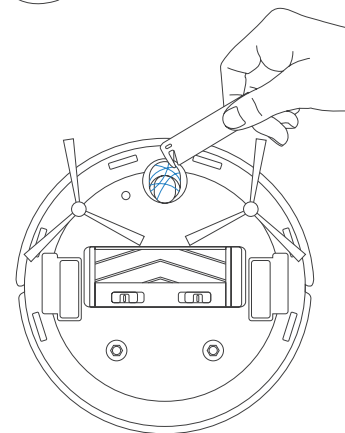
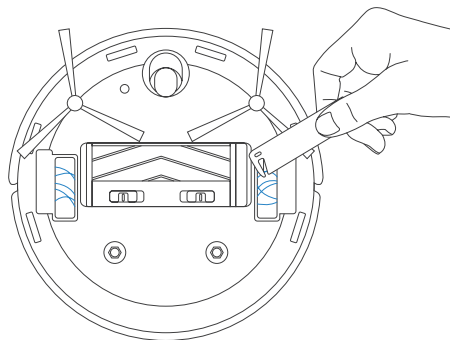
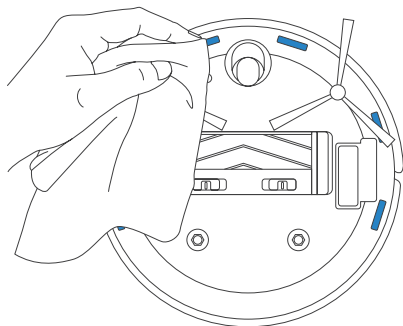
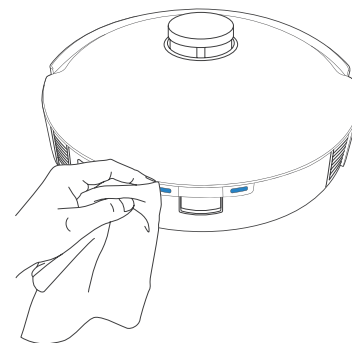
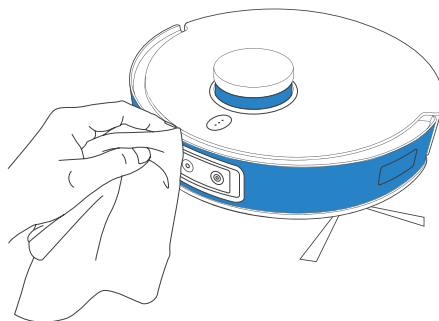
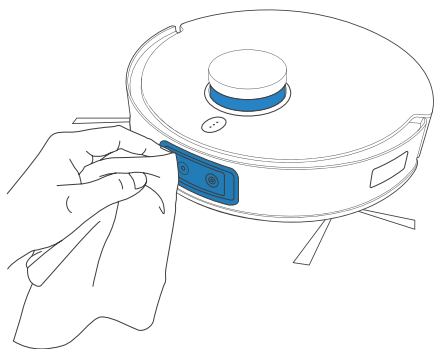


Brosses latérales



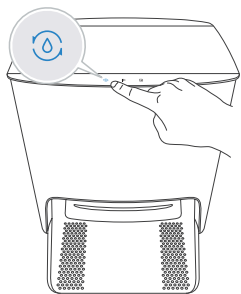
Entretien les autres composants

Remarque : Essuyer les composants avec un chiffon propre et sec. Éviter d'utiliser des sprays de nettoyage ou des détergents.

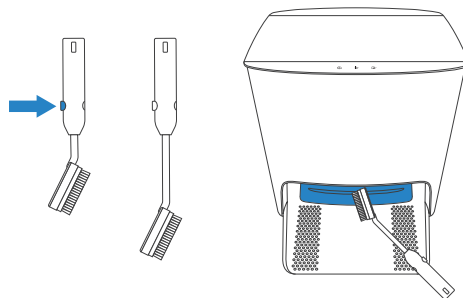


Entretien de la station de nettoyage

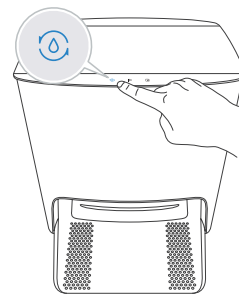
1 Ajouter de l'eau dans le bac de nettoyage



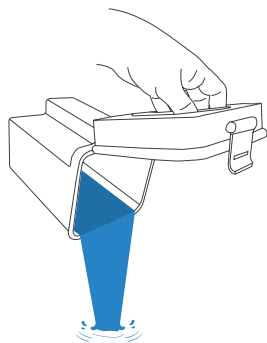
2 Nettoyer le bac de nettoyage



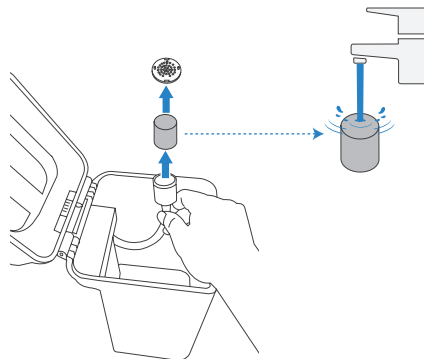
3 Vidanger l'eau du bac de nettoyage



4 Vider le réservoir d'eau sale

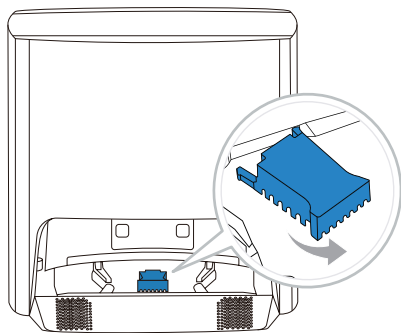


5 Nettoyer le filtre du réservoir d'eau propre

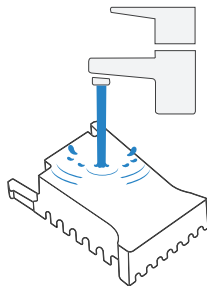


Entretien du filtre

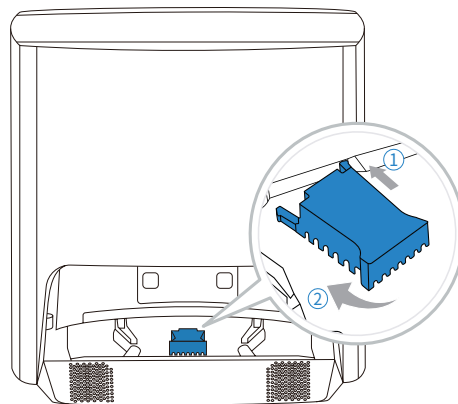
1 Retirer le filtre



2 Laver le filtre



3 Installer le filtre






Dépannage

N°	Dysfonctionnement	Causes possibles	Solutions
1	Le DEEBOT n'est pas en mesure de se connecter à l'application ECOVACS HOME.	Le nom d'utilisateur ou le mot de passe pour le Wi-Fi domestique est incorrect.	Saisir le nom d'utilisateur et le mot de passe corrects pour le Wi-Fi domestique.
		Le DEEBOT se trouve hors de la zone de couverture du signal Wi-Fi domestique.	S'assurer que le DEEBOT se trouve dans la zone de couverture du signal Wi-Fi domestique.
		Le DEEBOT n'est pas en mode configuration.	S'assurer que le DEEBOT est connecté à l'alimentation et sous tension. Ouvrir le capot et appuyer sur le bouton de réinitialisation. Le DEEBOT passe en mode de configuration lorsque vous entendez une invite vocale.
		Application installée incorrecte.	Télécharger et installer l'application ECOVACS HOME.
		Vous n'utilisez pas un réseau mixte de 2,4 GHz ou 2,4/5 GHz.	Le DEEBOT ne prend pas en charge le réseau 5G. Utiliser un réseau mixte de 2,4 GHz ou 2,4/5 GHz.
2	La carte est perdue.	La carte peut être perdue si vous déplacez le DEEBOT lors du nettoyage.	Déplacer le DEEBOT à l'avant de la station pour récupérer la carte. Rechercher la carte restaurée dans la gestion des cartes et appuyer sur « Utiliser cette carte » pour la récupérer. Si ce problème persiste après avoir essayé les solutions ci-dessus, veuillez redémarrer la cartographie.
3	Impossible de créer une carte des meubles sur l'application.	Le DEEBOT ne commence pas le nettoyage à partir de la station.	Le DEEBOT doit commencer le nettoyage à partir de la station.
		Déplacer le DEEBOT lors du nettoyage peut entraîner l'arrêt du lavage.	Pendant le nettoyage, ne pas déplacer le DEEBOT trop loin.
		Le nettoyage automatique n'est pas terminé.	S'assurer que le DEEBOT retourne automatiquement à la station après le nettoyage.
4	Les brosses latérales du DEEBOT tombent en cours d'utilisation.	Les brosses latérales ne sont pas correctement installées.	Assurez-vous que les brosses latérales émettent un clic lorsque vous les installez.

N°	Dysfonctionnement	Causes possibles	Solutions
5	Aucun signal détecté. Impossible de retourner à la station.	La station n'est pas correctement placée.	Placer la station correctement conformément aux instructions de la section [Charger le DEEBOT].
		La station est hors tension ou a été déplacée manuellement.	S'assurer que la station est connectée à l'alimentation. Ne pas déplacer manuellement la station.
		Le DEEBOT ne commence pas le nettoyage à partir de la station.	Il est préférable que le DEEBOT commence le nettoyage à partir de la station.
		Un obstacle est présent sur l'itinéraire de charge. Par exemple, la porte de la pièce où se trouve la station est fermée.	Maintenir l'itinéraire de charge dégagé.
6	Le DEEBOT revient à la station avant d'avoir terminé le nettoyage.	La pièce est si grande que le DEEBOT doit revenir se recharger.	Veillez activer le nettoyage continu. Pour plus d'informations, suivre les instructions de l'application.
		Le DEEBOT ne parvient pas à atteindre certaines zones bloquées par des meubles ou des barrières.	Ranger la zone à nettoyer en remettant les meubles et les petits objets à leur place.
7	Le robot DEEBOT ne peut pas se charger.	Le DEEBOT n'est pas sous tension.	Mettre le DEEBOT sous tension.
		Les contacts de charge du DEEBOT ne sont pas connectés aux broches de la station.	S'assurer que les contacts de charge du robot sont connectés aux broches de la station et que le bouton ⓘ clignote. Vérifier si les contacts de charge du DEEBOT et la station sont sales. Nettoyer ces pièces conformément aux instructions de la section [Entretien].
		La station n'est pas connectée à l'alimentation.	S'assurer que la station est connectée à l'alimentation.
		La batterie sera surchargée si le DEEBOT n'est pas utilisé pendant longtemps.	Il est recommandé d'utiliser régulièrement le DEEBOT. Si la batterie ne peut pas être chargée parce qu'elle n'a pas été utilisée pendant longtemps, merci de contacter le service client pour obtenir de l'aide.
8	Le fonctionnement est très bruyant pendant le nettoyage.	Les brosses latérales et la brosse principale sont emmêlées. Le réservoir à poussière et le filtre sont obstrués.	Il est recommandé de nettoyer régulièrement les brosses latérales, la brosse principale, le réservoir à poussière, le filtre, etc.
		DEEBOT est en mode Max.	Passer en mode standard.
9	Le DEEBOT est confronté à un problème pendant le nettoyage et s'arrête.	Le robot DEEBOT est bloqué par quelque chose au sol (cordons électriques, rideaux tombant au sol, frange de tapis, etc.).	Le DEEBOT va tenter de résoudre le problème de diverses manières. En cas d'échec, retirer à la main les obstacles et redémarrer le robot.
		Le DEEBOT peut se coincer sous un meuble d'une hauteur d'entrée similaire.	Placer une barrière physique ou définir une limite virtuelle dans l'application ECOVACS HOME.

N°	Dysfonctionnement	Causes possibles	Solutions
10	Pendant le nettoyage, le DEEBOT peut envoyer les messages suivants : obstacles sur la route, nettoyage répété, petite zone ignorée, etc. (Si une grande zone n'a pas été nettoyée temporairement, le DEEBOT nettoiera la zone ignorée de manière indépendante. Parfois, le DEEBOT entre à nouveau dans une pièce nettoyée pour trouver une zone manquante.)	Des objets tels que des câbles et des chaussons au sol affectent le fonctionnement normal du DEEBOT.	Ranger les câbles, les chaussons et autres objets éparpillés sur le sol avant le nettoyage. Et réduire au maximum le nombre d'objets éparpillés sur le sol. Si une zone est ignorée, le DEEBOT corrigera ce problème tout seul ; ne pas interférer (par exemple, en déplaçant le DEEBOT ou en obstruant le trajet).
		Il se peut que les roues motrices glissent sur le sol lorsque DEEBOT monte des marches, des seuils et des barres de seuil, ce qui affecte son jugement de l'environnement de la maison.	Il est recommandé de fermer la porte de cette zone et de la nettoyer séparément. Après le nettoyage, le DEEBOT revient au point de départ. Vous pouvez vous en servir.
		Utiliser sur des sols fraîchement cirés et polis ou des carreaux lisses, ce qui réduit la friction entre les roues motrices et le sol.	Attendre que la cire sèche avant de nettoyer.
		En raison des différents environnements domestiques, certaines zones ne peuvent pas être nettoyées.	Ranger les pièces pour s'assurer que le DEEBOT peut procéder au nettoyage.
		Le capteur de distance TrueMapping est sale ou obstrué par des corps étrangers.	Essuyer le capteur de distance TrueMapping à l'aide d'un chiffon doux et propre ou retirer les corps étrangers.
11	Video Manager ne s'ouvre pas ou son écran ne s'affiche pas.	Échec de la connexion Wi-Fi.	Vérifier l'état de la connexion Wi-Fi. Le DEEBOT doit se trouver dans une zone avec un bon signal Wi-Fi pour activer Video Manager.
		Video Manager n'est pas autorisé.	Veuillez vérifier votre consentement à la politique de confidentialité avant d'utiliser le robot.
		En raison de la latence du réseau, il se peut que vous ne puissiez pas ouvrir Video Manager temporairement.	Réessayer ultérieurement.
		La caméra AIVI est bloquée.	Retirer la protection.
12	Délai de réponse de la télécommande.	Le signal Wi-Fi est faible, ce qui ralentit le chargement de la vidéo.	Utiliser le DEEBOT dans des zones avec de bons signaux Wi-Fi.

N°	Dysfonctionnement	Causes possibles	Solutions
13	La caméra AIWI ne reconnaît pas les objets.	La zone de nettoyage n'est pas bien éclairée.	La reconnaissance intelligente a besoin d'un éclairage suffisant. S'assurer que les zones à nettoyer sont bien éclairées.
		L'objectif de la caméra AIWI est sale ou obstrué.	Nettoyer la lentille à l'aide d'un chiffon doux et propre et s'assurer que le capteur n'est pas obstrué. Éviter d'utiliser du détergent ou un spray pendant le nettoyage.
14	La plaque de patin de lavage ne peut pas tourner.	La plaque de patin de lavage est bloquée par des corps étrangers.	Nettoyer les corps étrangers.
15	Le DEEBOT ne répond pas aux instructions de la station.	Le DEEBOT est trop éloigné de la station.	S'il est au-delà de la distance maximale, l'application ECOVACS HOME peut également être utilisée pour faire fonctionner le DEEBOT.
		Le DEEBOT et la station ne sont pas appairés.	Débrancher la station et attendre 10 secondes pour la rebrancher. Mettre le robot hors tension, puis le rallumer. Pousser manuellement le robot jusqu'à la station et s'assurer que les broches de charge sont correctement connectées. Ensuite, le DEEBOT commence à charger et l'invite vocale confirme l'appairage.
16	Échec de l'activation de la sécurité enfant.	Interruption de la communication entre la station et le DEEBOT (à cause, par exemple, d'une trop longue distance ou de plusieurs cloisons qui les séparent)	Placer le DEEBOT près de la station pour assurer une communication fluide, puis activer la sécurité enfant.
17	Les roues motrices sont bloquées.	Les roues motrices sont bloquées par des corps étrangers.	Tourner et appuyer sur les roues motrices pour vérifier si un corps étranger est enroulé ou coincé. S'il y a un corps étranger, le retirer sans délai. Si le problème persiste, contacter le service client pour obtenir de l'aide.

N°	Dysfonctionnement	Causes possibles	Solutions
18	Lorsque le bac de nettoyage est rempli d'eau et ne peut pas être vidangé, le rapport vocal indique que le bac de nettoyage est plein.	Le réservoir d'eau sale n'est pas correctement installé.	Appuyer sur le réservoir d'eau sale pour vous assurer qu'il est correctement installé.
		Les bouchons de fermeture du réservoir d'eau sale ne sont pas correctement installés.	S'assurer que les bouchons de fermeture sont correctement installés.
		La station ne peut pas vidanger l'eau normalement.	Appuyer deux fois sur  pour voir si la station peut prélever l'eau correctement. Si le problème se produit pendant le processus de nettoyage des lingettes lavables maintenir le bouton  enfoncé pour mettre fin à la tâche, puis appuyer deux fois sur  pour voir si la station peut prélever l'eau correctement. Si l'eau est prélevée correctement, essuyer le capteur de débordement d'eau du bac de nettoyage. Si la station ne parvient pas à prélever l'eau, vérifier qu'il n'y a pas de corps étranger entre le réservoir d'eau sale et la station et la nettoyer.
		L'orifice d'aspiration du bac de nettoyage est bloqué par un corps étranger.	S'assurer qu'aucun corps étranger ne se trouve dans l'orifice d'aspiration du bac de nettoyage.
		Le rapport vocal continue de se déclencher même après avoir essayé les solutions ci-dessus.	Débrancher la station et la rebrancher. Si le problème persiste, merci de contacter le service client pour obtenir de l'aide.

Spécifications techniques

Modèle	DBX23
Courant nominal d'entrée	20 V \equiv 2 A
Modèle de la station de nettoyage	CH2128
Courant nominal d'entrée (chargement)	220 - 240 V \sim 50 - 60 Hz 0,3 A
Puissance (séchage)	100 W
Courant de sortie nominal	20 V \equiv 2 A
Bandes de fréquence	2 400 - 2 483,5 MHz
Puissance en veille réseau	Moins de 2,00W

La puissance de sortie du module Wi-Fi est inférieure à 100 mW.

Remarque : Ces spécifications techniques peuvent être modifiées à des fins d'amélioration continue.

Découvrez d'autres accessoires sur <https://www.ecovacs.com/global>.

Importanti istruzioni sulla sicurezza

IMPORTANTI ISTRUZIONI SULLA SICUREZZA

Quando si usa un elettrodomestico, è necessario seguire delle precauzioni di base:

LEGGERE TUTTE LE ISTRUZIONI PRIMA DI UTILIZZARE L'APPARECCHIO

CONSERVARE QUESTE ISTRUZIONI

1. Questo apparecchio può essere usato da bambini di almeno 8 anni e da persone con capacità fisiche, sensoriali o mentali ridotte o da persone che non ne conoscano il corretto utilizzo purché supervisionate o formate ad un uso sicuro dell'apparecchio e in grado di comprenderne gli eventuali rischi correlati. I bambini non devono giocare con l'apparecchio. La pulizia e la manutenzione non devono essere effettuate da bambini non supervisionati.
2. Sgombrare l'area da pulire. Togliere dal pavimento cavi di alimentazione e piccoli oggetti che potrebbero intralciare l'apparecchio. Piegare le frange dei tappeti sotto agli stessi e sollevare dal pavimento oggetti come tende e tovaglie.
3. In caso di possibilità di caduta nell'area da pulire, ad esempio a causa di scalini, è necessario impostare l'apparecchio in modo che possa rilevare i gradini senza cadere. Potrebbe essere necessario posizionare delle barriere sul bordo per evitare la caduta del robot. Assicurarsi che la barriera fisica non rappresenti un rischio di inciampo per le persone.
4. Utilizzare l'apparecchio solo come previsto da questo manuale. Utilizzare solo accessori consigliati o venduti dal produttore.
5. Assicurarsi che il voltaggio della fonte di alimentazione corrisponda a quello indicato sulla stazione di pulizia.
6. SOLO per uso in INTERNI. Non utilizzare l'apparecchio in esterni o in ambienti commerciali o industriali.
7. Utilizzare solo le batterie ricaricabili originali e la stazione di pulizia del produttore in dotazione con l'apparecchio. Non è consentito l'utilizzo di batterie non ricaricabili.
8. Non utilizzare senza aver installato la vaschetta raccogli polvere e i filtri.
9. Non utilizzare l'apparecchio in un'area con candele accese o oggetti fragili.

10. Non utilizzare in condizioni ambientali estremamente calde o fredde (sotto i -5°C o sopra i 40°C).
11. Tenere capelli, vestiti, dita e qualsiasi parte del corpo lontano dalle aperture e dalle parti mobili dell'apparecchio.
12. Non utilizzare l'apparecchio in una stanza in cui sta dormendo un neonato o un bambino.
13. Non utilizzare l'apparecchio su superfici bagnate o con acqua stagnante.
14. Non consentire all'apparecchio di raccogliere oggetti grandi come pietre, grossi pezzi di carta o oggetti che potrebbero ostruire l'apparecchio.
15. Non utilizzare l'apparecchio per raccogliere materiali infiammabili o combustibili come benzina, toner per stampanti o fotocopiatrici, né utilizzarlo in aree dove questi potrebbero essere presenti.
16. Non utilizzare l'apparecchio per raccogliere materiali incandescenti o che emettono fumo, come sigarette, fiammiferi, cenere ardente, o qualsiasi cosa che potrebbe provocare un incendio.
17. Non infilare oggetti nella presa di aspirazione. Non utilizzare l'apparecchio se la presa di aspirazione è ostruita. Mantenere la presa libera da polvere, garze, capelli, o qualsiasi cosa che potrebbe ridurre il flusso d'aria.
18. Fare attenzione a non danneggiare il cavo di alimentazione. Non tirare o trascinare l'apparecchio o la stazione di pulizia dal cavo di alimentazione, non utilizzare il cavo di alimentazione come maniglia, non chiudere il cavo di alimentazione in una porta e non strusciare il cavo di alimentazione su bordi o spigoli affilati. Non far passare l'apparecchio sopra il cavo di alimentazione. Tenere il cavo di alimentazione lontano da superfici calde.
19. In caso di danneggiamento del cavo di alimentazione, sarà necessario sostituirlo presso il produttore o tramite il servizio clienti per evitare rischi.
20. Non utilizzare la stazione di pulizia, se danneggiata. Non provare a riparare l'alimentatore e non utilizzarlo in caso di danni o malfunzionamenti.
21. Non utilizzare l'apparecchio con prese o cavi di alimentazione danneggiati. Non utilizzare l'apparecchio o la stazione di pulizia se non funzionano correttamente, in caso di caduta, se sono stati lasciati all'esterno o se sono

venuti a contatto con acqua. In questi casi, sarà necessaria la riparazione da parte del produttore o tramite il servizio clienti per evitare rischi.

22. Posizionare su OFF il tasto di accensione prima di pulire o effettuare operazioni di manutenzione sull'apparecchio.
23. È necessario rimuovere la spina dalla presa di corrente prima di pulire o effettuare operazioni di manutenzione sulla stazione di pulizia.
24. Rimuovere l'apparecchio dalla stazione di pulizia e posizionare su OFF il tasto di accensione prima di rimuovere la batteria per lo smaltimento dell'apparecchio.
25. È necessario rimuovere e gettare la batteria secondo le leggi e le normative vigenti, prima dello smaltimento dell'apparecchio.
26. Gettare le batterie usate secondo le leggi e le normative vigenti.
27. Non incenerire l'apparecchio anche nel caso in cui sia molto danneggiato. Le batterie potrebbero esplodere e provocare un incendio.
28. Scollegare dalla presa di corrente la stazione di pulizia in caso di mancato utilizzo prolungato.
29. L'apparecchio dev'essere utilizzato secondo le indicazioni di questo Manuale d'uso.

ECOVACS ROBOTICS non potrà essere ritenuta responsabile per eventuali danni o infortuni causati da un utilizzo inappropriato.

30. Il robot contiene batterie sostituibili solo da persone competenti. Per sostituire la batteria del robot, contattare l'assistenza clienti.
31. Se il robot non viene utilizzato per un periodo prolungato di tempo, spegnerlo per conservarlo e scollegare la stazione di pulizia.
32. **AVVERTENZA:** Per ricaricare la batteria, utilizzare solo l'unità di alimentazione rimovibile CH2128 fornita con l'apparecchio.



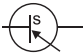



Per soddisfare i requisiti in materia di esposizione RF, è consigliabile mantenere una distanza di 20 cm o più tra il dispositivo e le persone durante il funzionamento dell'apparecchio.

Per garantire la conformità, non è consigliato il funzionamento a distanze ravvicinate. L'antenna utilizzata per questo trasmettitore non deve essere utilizzata in combinazione con altre antenne o trasmettitori.

Aggiornamento del dispositivo

In genere, alcuni dispositivi vengono aggiornati ogni due mesi, ma l'intervallo non è sempre così specifico.

Alcuni dispositivi, soprattutto quelli in vendita più di tre anni fa, verranno aggiornati solo se viene individuata e corretta una vulnerabilità critica.

	Classe II
	Trasformatore isolante di sicurezza anti cortocircuito
	Alimentatore a commutazione
	Solo per uso in interni
	Corrente continua
	Corrente alternata

Per i paesi dell'Unione europea

Per informazioni sulla dichiarazione di conformità UE, visitare il sito <https://www.ecovacs.com/global/compliance>.

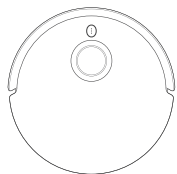


Istruzioni per il corretto smaltimento del prodotto

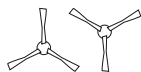
Questo simbolo indica che il prodotto non dovrebbe essere smaltito insieme ad altri rifiuti domestici in tutta l'Unione europea. Per evitare danni all'ambiente o alla salute provocati da uno smaltimento di rifiuti non controllato, riciclare in maniera responsabile per promuovere il riutilizzo sostenibile delle risorse materiali. Per riciclare l'apparecchio usato, usare i servizi di ritiro e raccolta o contattare il rivenditore dove è stato acquistato il prodotto, che sarà in grado di smaltirlo correttamente.

La sorveglianza a distanza è destinata all'uso privato assoluto di luoghi non pubblici e privati ai soli fini di auto-protezione e controllo individuale. In caso di utilizzo, tenere presente gli obblighi legali locali basati sulla protezione dei dati. Non è consentita alcuna sorveglianza di luoghi pubblici, in particolare con intento clandestino e/o da parte del datore di lavoro senza giustificabili ragioni. Tale uso non giustificato è a rischio e responsabilità dell'utente.

Contenuto della confezione



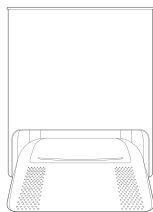
Robot



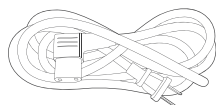
Spazzole laterali doppie



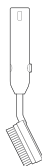
Panni di lavaggio lavabili



Stazione di pulizia



Cavo di alimentazione



Spazzola di pulizia



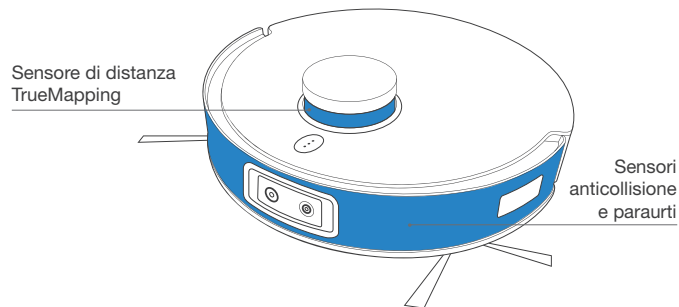
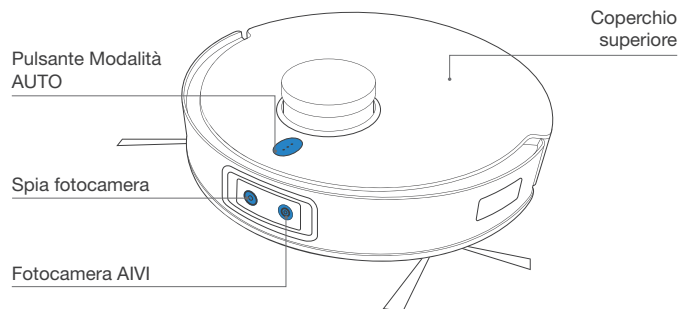
Manuale d'istruzioni



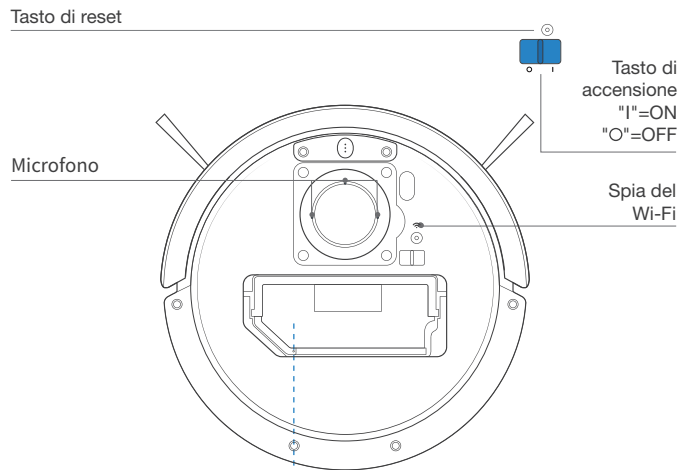
Strumento di pulizia multi-funzione

Diagramma del prodotto

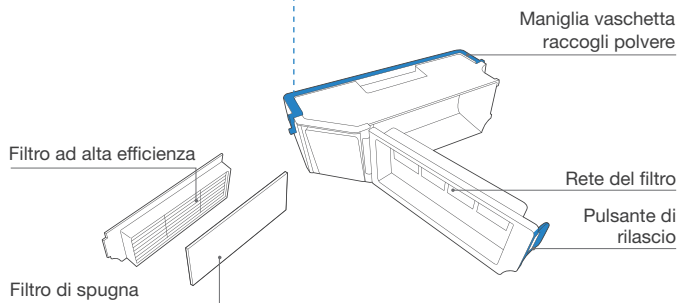
Robot



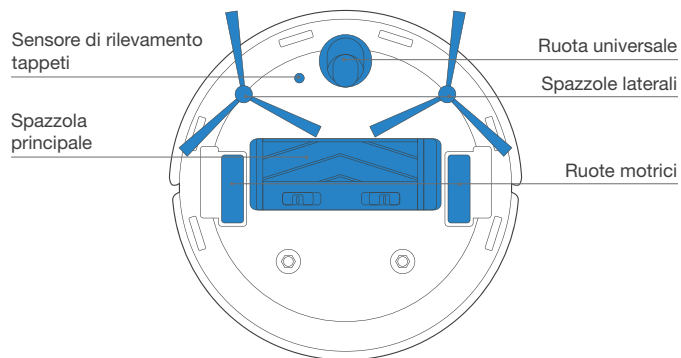
Nota: le figure e le illustrazioni sono solo per riferimento e potrebbero differire dal reale aspetto del prodotto. Il design e le specifiche del prodotto sono soggetti a modifiche senza preavviso.



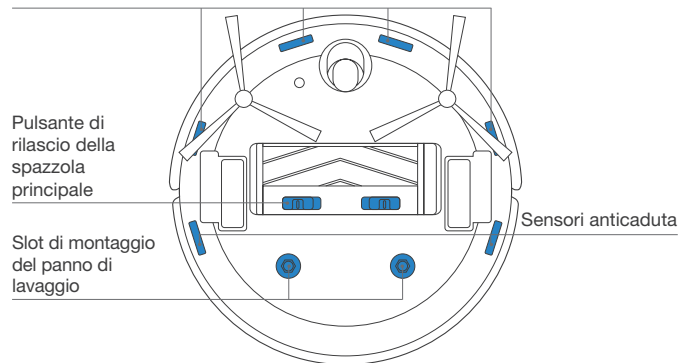
Vaschetta raccogli polvere

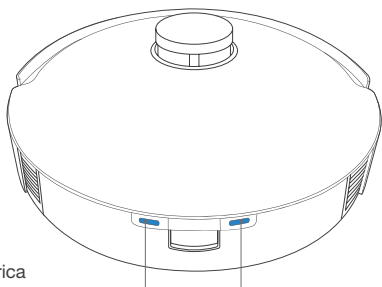


Vista inferiore



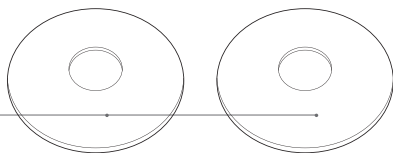
Sensori anticaduta



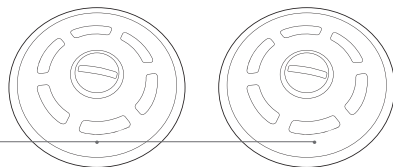


Contatti di ricarica

Composizione panno di lavaggio

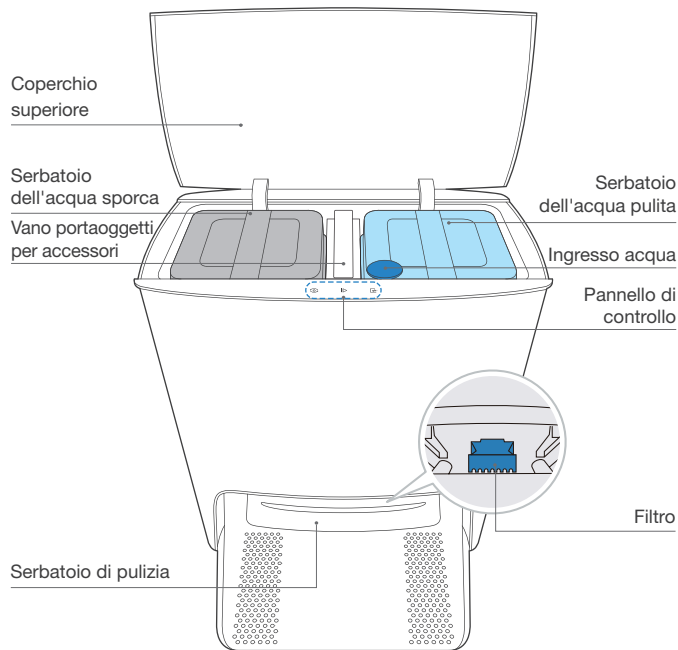


Panni di lavaggio lavabili



Piatti per panno di lavaggio

Stazione di pulizia



Coperchio superiore

Serbatoio dell'acqua sporca
Vano portaoggetti per accessori

Serbatoio dell'acqua pulita

Ingresso acqua

Pannello di controllo

Filtro

Serbatoio di pulizia

Pulsante Pannello di controllo

Pulsante Pulizia automatica

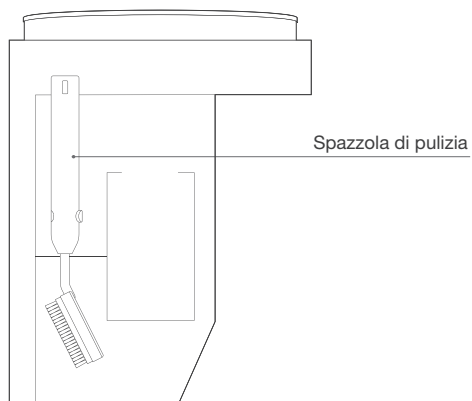


Pulsante Avvio/Pausa

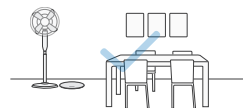
Pulsante di richiamo/uscita



Vano portaoggetti per accessori



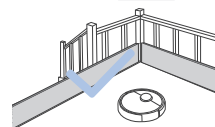
Note prima della pulizia



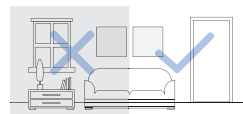
Mettere gli arredi, come le sedie, al loro posto prima di pulire la zona desiderata.



Durante il primo utilizzo, accertarsi che tutte le porte della stanza siano aperte per consentire a DEEBOT di esplorare tutta l'abitazione.



Potrebbe essere necessario posizionare delle barriere sul bordo del dislivello per evitare la caduta del robot.



Assicurarsi che le aree da pulire siano ben illuminate in modo che la fotocamera AIVI funzioni correttamente. Per garantire l'efficienza della pulizia, togliere dal pavimento cavi di alimentazione e piccoli oggetti.



Per migliorare l'efficienza della pulizia, rimuovere dal pavimento oggetti quali cavi, panni, ciabatte, ecc.



Pulire la fotocamera AIVI e il sensore di distanza TrueMapping con un panno pulito ed evitare di utilizzare detersivi o spray.



Ripiegare i bordi dei tappeti con nappes prima di utilizzare il prodotto in loro prossimità.



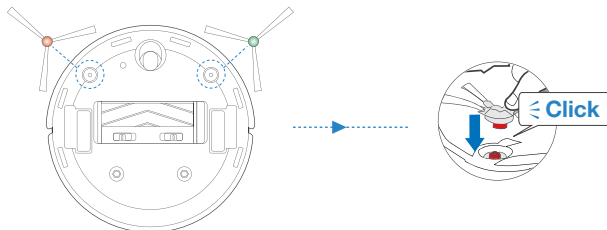
Non sostare in spazi ristretti, ad esempio i corridoi, e assicurarsi che la fotocamera AIVI non sia bloccata.

Avvio rapido

Prima di utilizzare DEEBOT, rimuovere tutte le pellicole protettive o le strisce protettive su DEEBOT e la stazione di pulizia.

Installazione delle spazzole laterali

Assicurarsi che il colore delle spazzole laterali sia lo stesso dello slot di montaggio.



App ECOVACS HOME

Per sfruttare tutte le funzioni disponibili, si consiglia di controllare DEEBOT tramite l'app ECOVACS HOME.

Prima di iniziare, accertarsi che:

- Il telefono cellulare sia connesso alla rete Wi-Fi.
- Il segnale wireless di banda da 2,4 o 2,4/5 GHz sia attivato sul router.
- La spia Wi-Fi di DEEBOT lampeggi lentamente.



Spia Wi-Fi

	Lampeggia lentamente	Rete Wi-Fi disconnessa o in attesa di connessione
	Lampeggia rapidamente	Connessione alla rete Wi-Fi
	Fissa	Connesso alla rete Wi-Fi

Connessione Wi-Fi

Prima di configurare la connessione alla rete Wi-Fi, assicurarsi che DEEBOT, il telefono cellulare e la rete Wi-Fi soddisfino i seguenti requisiti.

Requisiti di DEEBOT e telefoni cellulari

- DEEBOT è completamente carico con il tasto di accensione illuminato.
- La spia di stato Wi-Fi lampeggia lentamente.
- Disattivare i dati cellulari del telefono cellulare (è possibile riattivarli dopo la configurazione).

Requisiti della rete Wi-Fi

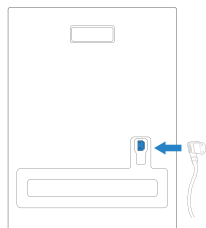
- Si sta utilizzando una rete mista a 2,4 GHz o 2,4/5 GHz.
- Il router supporta i protocolli 802.11b/g/n e IPv4.
- Non utilizzare una VPN (Virtual Private Network) o un server proxy.
- Non utilizzare una rete nascosta.
- WPA e WPA2 utilizzano la crittografia TKIP, PSK, AES/CCMP.
- WEP EAP (Enterprise Authentication Protocol) non è supportato.
- Utilizzare i canali Wi-Fi 1-11 in Nord America e i canali 1-13 al di fuori del Nord America (fare riferimento all'agenzia di regolamentazione locale).
- Se si utilizza un extender/ripetitore di rete, il nome di rete (SSID) e la password corrispondono alla rete primaria.

Dopo aver stabilito la connessione Wi-Fi, DEEBOT attiva la modalità Standby in rete se non riceve alcun segnale entro 10 minuti.

Tenere presente che la realizzazione di funzioni intelligenti come l'avvio remoto, l'interazione vocale, le impostazioni di visualizzazione e controllo delle mappe 2D/3D e la pulizia personalizzata (a seconda dei diversi prodotti) richiede agli utenti di scaricare e utilizzare l'app ECOVACS HOME, che viene costantemente aggiornata. L'utente deve accettare la nostra Informativa sulla privacy e il Contratto dell'utente prima di poter elaborare alcune informazioni essenziali e necessarie e infine utilizzare il prodotto tramite l'app ECOVACS HOME. Se l'utente non accetta la nostra Informativa sulla privacy e il nostro Contratto dell'utente, alcune delle funzioni intelligenti summenzionate non possono essere utilizzate tramite l'app ECOVACS HOME, ma è comunque possibile utilizzare le funzioni di base del prodotto attivandole manualmente.

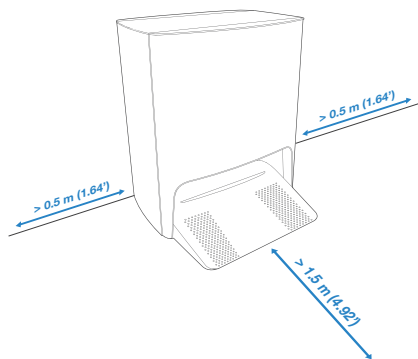
Ricarica di DEEBOT

1 Montare la stazione di pulizia



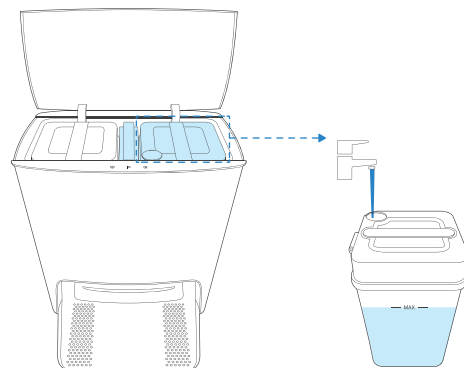
2 Posizionamento della stazione di pulizia

Tenere l'area intorno alla stazione libera da oggetti e superfici riflettenti.



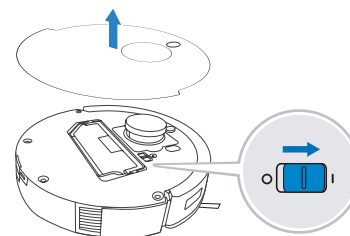
* Se sono presenti oggetti riflettenti come specchi e battiscopa vicino alla stazione, questi dovrebbero essere coperti per 14 cm a partire dal basso. Non esporre la stazione alla luce diretta del sole. Posizionare la stazione su un pavimento duro per utilizzare tutte le funzioni del robot.

3 Aggiungere acqua al serbatoio dell'acqua pulita



Nota: Si consiglia di utilizzare la soluzione di pulizia ECOVACS DEEBOT (venduta separatamente). L'uso di un'altra soluzione detergente può causare lo slittamento del DEEBOT, il blocco del serbatoio dell'acqua e altri problemi.

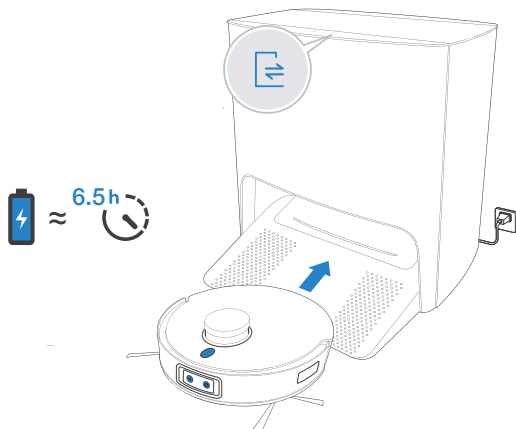
4 Accensione (ON)



Nota: I = ON, O = OFF.

Non è possibile caricare DEEBOT quando è spento.

5 Ricarica di DEEBOT



Si consiglia di iniziare la pulizia con DEEBOT dalla stazione. Non spostare la stazione durante la pulizia.

Funzionamento di DEEBOT

Quando si crea una mappa per la prima volta, seguire DEEBOT per assisterlo in caso di problemi.

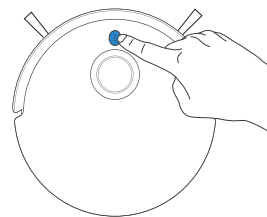
Ad esempio, DEEBOT potrebbe rimanere incastrato sotto i mobili bassi.

Fare riferimento alle seguenti soluzioni:

- ① Sollevare i mobili, se possibile;
- ② Coprire la parte inferiore dei mobili;
- ③ Impostare le barriere virtuali tramite l'app.

1 Avvio

Toccare ⓘ su DEEBOT o ▶ sulla stazione di pulizia per cominciare

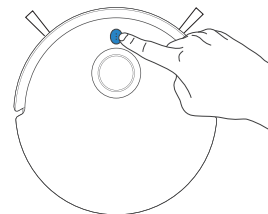


Nota:


1. Per la prima pulizia, assicurarsi che DEEBOT sia completamente carico.
2. Si sconsiglia di montare i piatti per panni di lavaggio per la prima pulizia.

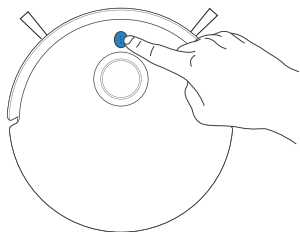
2 Pausa

Toccare ⓘ su DEEBOT o ▶ sulla stazione di pulizia per mettere in pausa.



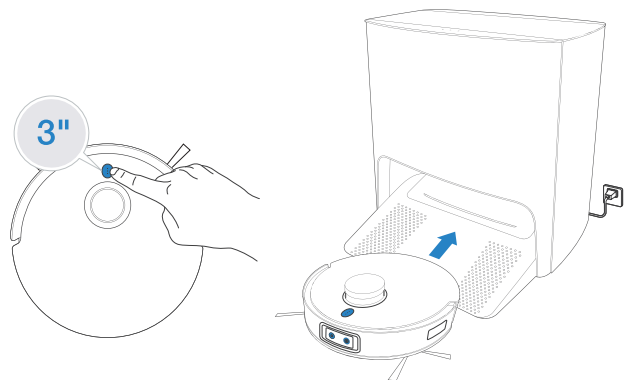
3 Riattivazione

La spia luminosa si spegne dopo qualche minuto di pausa del robot. Toccare  su DEEBOT per riattivare il robot.



4 Tornare alla stazione

Toccare  per 3 secondi per riportare DEEBOT alla stazione di pulizia.

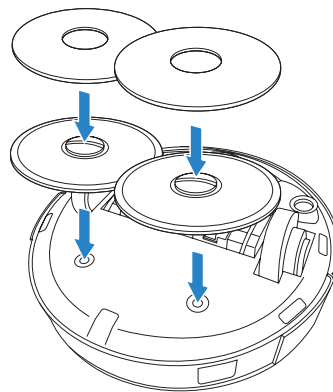


Nota: Quando DEEBOT non sta pulendo, è consigliabile tenerlo acceso e in carica.

Lavaggio

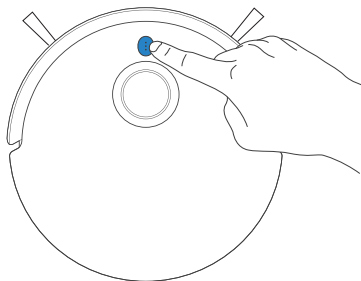
Non usare la funzione di lavaggio sulla moquette.

1 Collegare i panni di lavaggio e i piatti per panni di lavaggio.



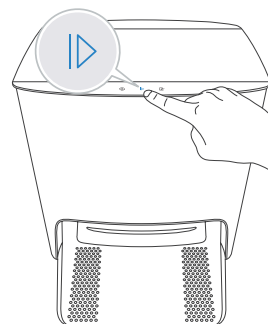
2 Lavaggio

Toccare ⓘ su DEEBOT
oppure ▶ sulla stazione di pulizia per iniziare la pulizia

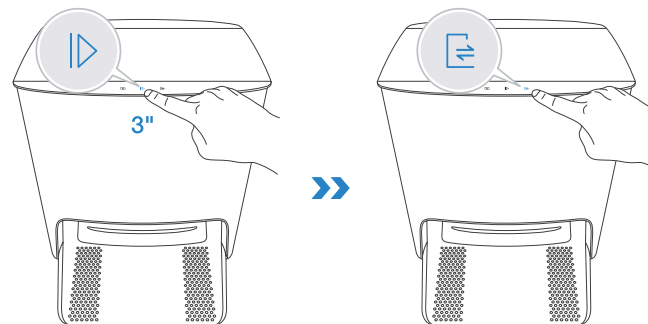


Stazione di pulizia

1 Avvio/Pausa DEEBOT



2 Richiama DEEBOT

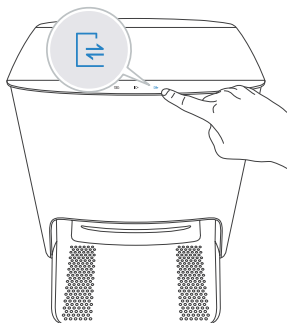


Nota:

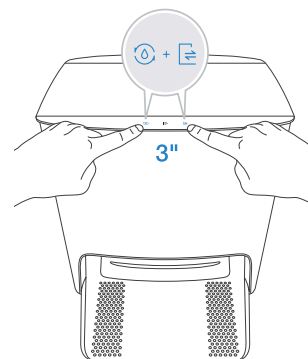
1. Non rimuovete frequentemente i panni di lavaggio lavabili.
2. Non utilizzare uno straccio o altri oggetti per grattare via lo sporco dai piatti per i panni di lavaggio.
3. Quando l'app ECOVACS HOME richiede la sostituzione del panno, sostituirlo per tempo.

Altri accessori sull'app ECOVACS HOME o sul sito <https://www.ecovacs.com/global>.

3 Ordina a DEEBOT di uscire dalla stazione di pulizia



4 Chiusura bambini ON/OFF



Quando la chiusura bambini è attivata, il tasto a sfioramento di DEEBOT e la stazione vengono bloccati per garantire la sicurezza. Ripetere lo stesso passaggio per disattivare la chiusura bambini.

Manutenzione regolare

Per mantenere DEEBOT in esecuzione con prestazioni ottimali, eseguire le operazioni di manutenzione e sostituzione dei componenti con le seguenti frequenze:

Parte robot	Frequenza di manutenzione	Frequenza di sostituzione
Panno di lavaggio lavabile	/	Ogni 1-2 mesi
Spazzola laterale	Ogni 2 settimane	Ogni 3-6 mesi
Spazzola principale	Una volta a settimana	Ogni 6-12 mesi
Filtro di spugna/Filtro ad alta efficienza	Una volta a settimana	Ogni 3-6 mesi
Fotocamera ALVI Sensore di distanza TrueMapping Ruota universale Sensori anticaduta Paraurti Contatti di ricarica Contatti della stazione di pulizia	Una volta a settimana	/
Serbatoio di pulizia	Ogni 2 settimane	/
Serbatoio dell'acqua pulita	Ogni 3 mesi	/
Serbatoio dell'acqua sporca	Dopo ogni pulizia	/
Stazione di pulizia	Una volta al mese	/
Filtro	Una volta al mese	/

Prima di eseguire operazioni di pulizia e manutenzione su DEEBOT, spegnere il robot e scollegare la stazione di pulizia.

Per semplificare le operazioni di manutenzione, è fornito uno strumento di pulizia multi-funzione. Maneggiare con cura: lo strumento di pulizia ha bordi taglienti.

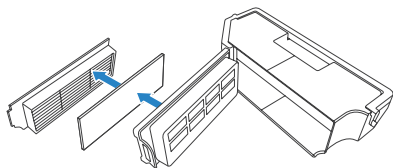
Nota: ECOVACS produce diverse parti e accessori di ricambio. Contattare l'assistenza clienti per ulteriori informazioni sulle parti di sostituzione.

Manutenzione della vaschetta raccogli polvere

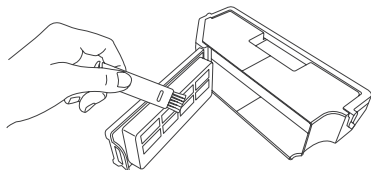
1



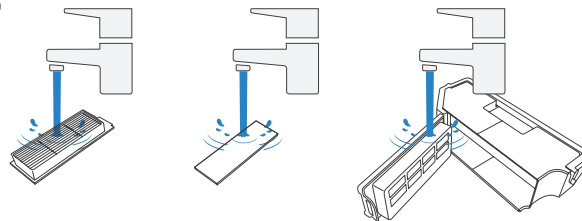
2



3



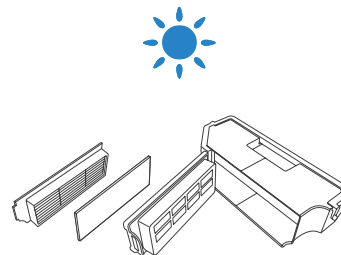
4



Nota:

1. Sciacquare il filtro con acqua come mostrato sopra.
2. Non inserire le dita né utilizzare una spazzola per pulire il filtro ad alta efficienza.

5

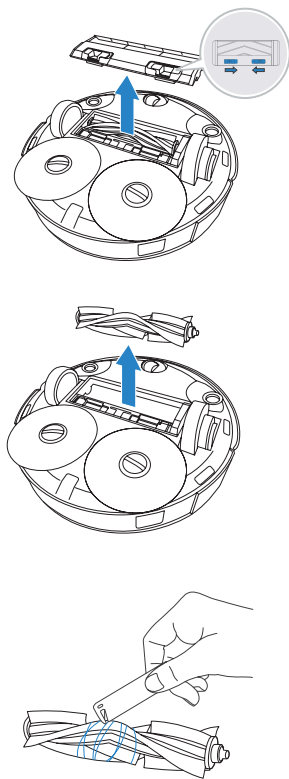


Nota:

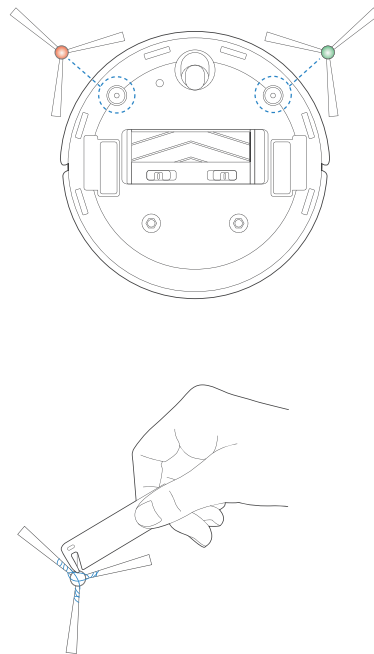
Asciugare completamente il filtro prima dell'uso.
Altri accessori sull'app ECOVACS HOME o sul sito <https://www.ecovacs.com/global>.

Manutenzione della spazzola principale e delle spazzole laterali

Spazzola principale

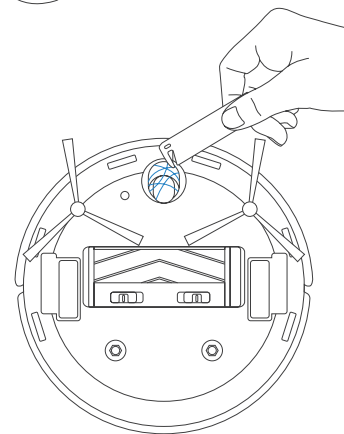
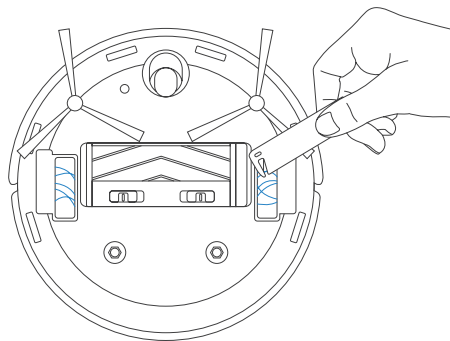
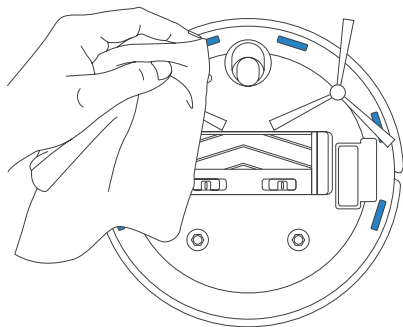
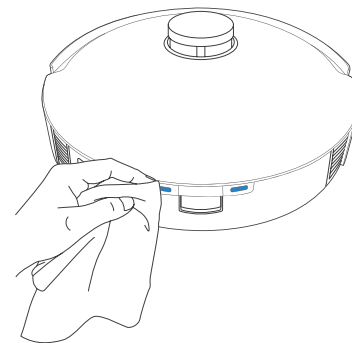
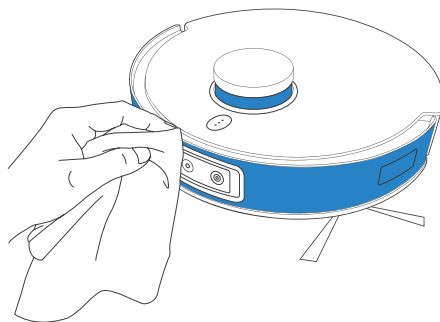
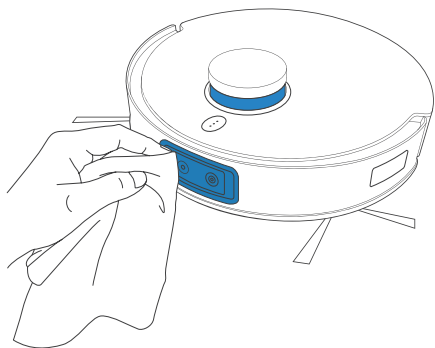


Spazzole laterali



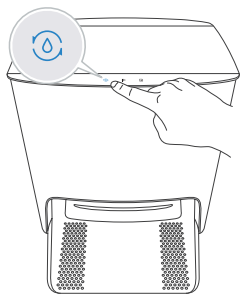
Manutenzione degli altri componenti

Nota: Pulire i componenti con un panno pulito e asciutto. Evitare l'uso di spray o detersivi.

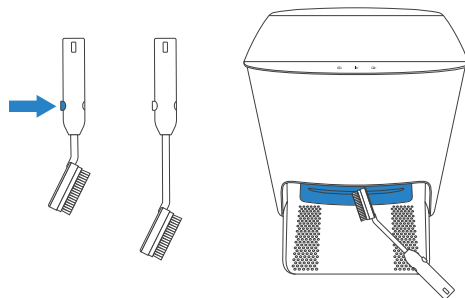


Manutenzione della stazione di pulizia

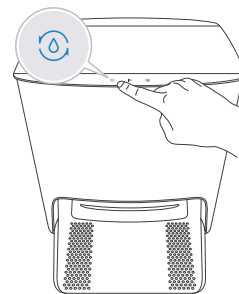
- 1** Aggiungere acqua al serbatoio di pulizia



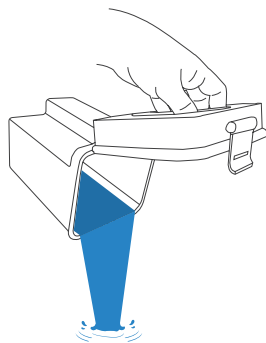
- 2** Pulire il serbatoio di pulizia



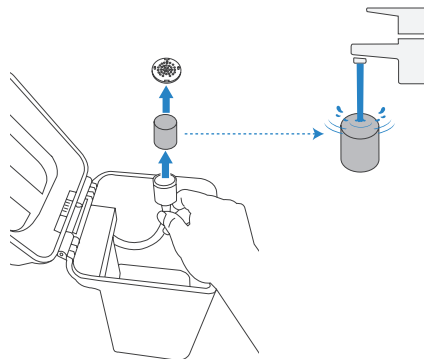
- 3** Far defluire l'acqua dal serbatoio di pulizia



- 4** Svuotare il serbatoio dell'acqua sporca

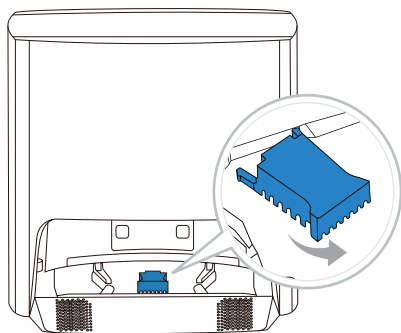


- 5** Pulire il filtro del serbatoio dell'acqua pulita

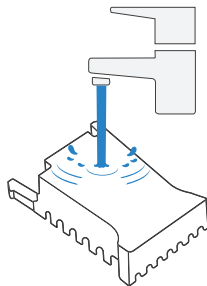


Manutenzione del filtro

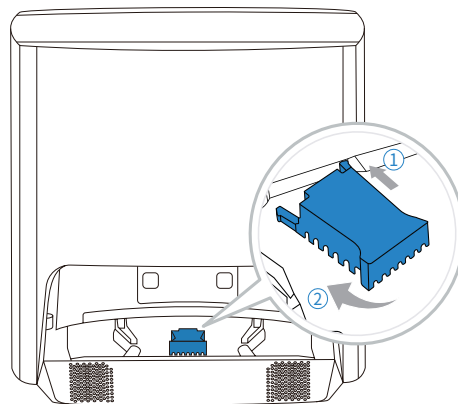
1 Estrarre il filtro



2 Lavare il filtro




3 Installare il filtro






Risoluzione dei problemi

N.	Malfunzionamento	Possibili cause	Soluzioni
1	Impossibile connettere DEEBOT all'app ECOVACS HOME.	Nome utente o password della rete Wi-Fi domestica errato.	Inserire il nome utente e la password corretti della rete Wi-Fi domestica.
		DEEBOT non si trova nel raggio di copertura del segnale Wi-Fi domestico.	Verificare che DEEBOT si trovi nel raggio di copertura del segnale Wi-Fi domestico.
		DEEBOT non è nello stato di configurazione.	Assicurarsi che DEEBOT sia collegato all'alimentazione e acceso. Aprire il coperchio e premere il tasto di reset. DEEBOT entra nello stato di configurazione quando viene emesso un comando vocale.
		App non corretta installata.	Scaricare e installare l'app ECOVACS HOME.
		Non si sta utilizzando una rete mista a 2,4 GHz o 2,4/5 GHz.	DEEBOT non supporta la rete 5G. Usare una rete mista a 2,4 GHz o 2,4/5 GHz.
2	La mappa è persa.	La mappa può andare persa se si sposta il DEEBOT durante la pulizia.	Spostare il DEEBOT di fronte alla stazione per recuperare la mappa. Trovare la mappa ripristinata in Gestione mappa e toccare "Usa questa mappa" per recuperarla. Se il problema persiste dopo aver provato le soluzioni precedenti, riavviare la mappatura.
3	Impossibile creare la mappa dei mobili sull'applicazione.	DEEBOT non inizia la pulizia dalla stazione.	DEEBOT deve iniziare a pulire dalla stazione.
		Spostare DEEBOT durante la pulizia potrebbe causare la perdita del panno.	Durante la pulizia, non spostare DEEBOT per quanto possibile.
		La pulizia automatica non è completa.	Assicurarsi che DEEBOT torni automaticamente alla stazione dopo la pulizia.
4	Le spazzole laterali di DEEBOT si sganciano durante l'uso.	Le spazzole laterali non sono installate correttamente.	Assicurarsi che le spazzole laterali siano in posizione durante l'installazione.

N.	Malfunzionamento	Possibili cause	Soluzioni
5	Nessun segnale trovato. Impossibile tornare alla stazione.	La stazione non è posizionata correttamente.	Posizionare correttamente la stazione secondo le istruzioni riportate in [Ricarica di DEEBOT] .
		La stazione non è alimentata o è stata spostata manualmente.	Verificare che la stazione sia collegata all'alimentazione. Non spostare manualmente la stazione.
		DEEBOT non inizia la pulizia dalla stazione.	Si consiglia di iniziare la pulizia con DEEBOT dalla stazione.
		Il percorso di ricarica è bloccato. Ad esempio, la porta della stanza con la stazione è chiusa.	Tenere il percorso di ricarica sgombro.
6	DEEBOT torna alla stazione prima di aver completato la pulizia.	La stanza è grande e DEEBOT deve tornare a ricaricarsi.	Abilitare Pulizia continua. Per ulteriori dettagli, seguire le istruzioni sull'app.
		DEEBOT non è in grado di raggiungere alcune zone bloccate da mobili o barriere.	Mettere gli arredi e gli oggetti piccoli al loro posto prima di pulire la zona desiderata.
7	Impossibile caricare DEEBOT.	DEEBOT non è acceso.	Accendere DEEBOT.
		I contatti di ricarica di DEEBOT non sono collegati ai contatti della stazione.	Assicurarsi che i contatti di ricarica del robot siano collegati ai contatti della stazione e che  lampeggi. Verificare se i contatti di ricarica di DEEBOT e la stazione sono sporchi. Pulire queste parti secondo le istruzioni riportate in [Manutenzione] .
		La stazione non è collegata a una fonte di alimentazione.	Assicurarsi che la stazione sia collegata all'alimentazione.
		La batteria si sovraccarica se DEEBOT non viene utilizzato per un lungo periodo di tempo.	Si consiglia di utilizzare regolarmente DEEBOT. Se la batteria non viene ricaricata perché il robot non è stato utilizzato per un lungo periodo di tempo, contattare il Servizio clienti per ricevere assistenza.
8	Il funzionamento è molto rumoroso durante la pulizia.	Le spazzole laterali e la spazzola principale sono impigliate. La vaschetta raccogli polvere e il filtro sono bloccati.	Si consiglia di pulire regolarmente le spazzole laterali, la spazzola principale, la vaschetta raccogli polvere, il filtro, ecc.
		DEEBOT sta operando in modalità MAX.	Passare alla modalità Standard.
9	DEEBOT si blocca durante il funzionamento e si ferma.	DEEBOT si è incastrato con un oggetto sul pavimento (cavi elettrici, tende, frange di tappeti, ecc.).	DEEBOT proverà a districarsi in vari modi. Qualora non dovesse riuscirci, rimuovere manualmente gli ostacoli e riavviarlo.
		DEEBOT potrebbe rimanere bloccato sotto i mobili con un ingresso di altezza simile.	Posizionare una barriera fisica o impostarne una virtuale nell'app ECOVACS HOME.

N.	Malfunzionamento	Possibili cause	Soluzioni
10	Durante la pulizia, DEEBOT mostra disturbo del percorso, errori di funzionamento, pulizia ripetuta, perdita di piccole aree e così via. (Se c'è un'area ampia che non è stata temporaneamente pulita, DEEBOT recupererà la perdita in modo indipendente. A volte, DEEBOT entra nuovamente in una stanza pulita per individuare eventuali aree mancanti).	Oggetti quali fili e ciabatte posizionati a terra influiscono sul normale funzionamento di DEEBOT.	Prima di procedere alla pulizia, sistemare a terra i fili sparsi, le ciabatte e gli altri oggetti. Ridurre il più possibile gli oggetti sparsi a terra. In caso di aree mancanti, DEEBOT correggerà autonomamente la mancanza; non interferire (ad esempio spostando DEEBOT o bloccando il percorso).
		È possibile che le ruote motrici scivolino a terra quando DEEBOT sale i gradini, supera soglie e porte, influenzando in tal modo la sua valutazione dell'ambiente interno.	Si consiglia di chiudere la porta di quest'area e di pulire l'area separatamente. Dopo la pulizia, DEEBOT torna al punto di partenza. L'utilizzo è sicuro.
		Funziona su pavimenti appena cerati e lucidati o su piastrelle lisce, riducendo l'attrito tra le ruote motrici e il pavimento.	Attendere che la cera si asciughi prima di pulire.
		A causa dei diversi ambienti domestici, alcune aree non possono essere pulite.	Liberare l'ambiente domestico per assicurarsi che DEEBOT possa entrare per la pulizia.
		Il sensore di distanza TrueMapping è sporco o bloccato da corpi estranei.	Pulire il sensore di distanza TrueMapping con un panno morbido pulito o rimuovere eventuali corpi estranei.
11	Video Manager non può aprirsi o non presenta alcuna schermata.	Connessione al Wi-Fi non riuscita.	Controllare lo stato della connessione Wi-Fi. Per attivare Video Manager, DEEBOT deve trovarsi in un'area con un segnale Wi-Fi di buona qualità.
		Video Manager non è autorizzato.	Prima di utilizzare il robot, accettare l'Informativa sulla privacy.
		A causa della latenza di rete, potrebbe non essere possibile aprire temporaneamente Video Manager.	Riprovare più tardi.
		La fotocamera AIVI è bloccata.	Rimuovere la protezione.
12	Ritardo nel telecomando.	Il segnale Wi-Fi è debole e il caricamento del video risulta lento.	Utilizzare DEEBOT in aree con segnali Wi-Fi di buona qualità.

N.	Malfunzionamento	Possibili cause	Soluzioni
13	La fotocamera AIVI non è in grado di riconoscere gli oggetti.	L'area da pulire non è ben illuminata.	Il riconoscimento smart richiede un'illuminazione sufficiente. Assicurarsi che le zone da pulire siano ben illuminate.
		La lente della fotocamera AIVI è sporca o bloccata.	Pulire la lente con un panno morbido e pulito e assicurarsi che il sensore non sia ostruito. Evitare di utilizzare detergenti o spray durante la pulizia.
14	Il piatto del panno di lavaggio non riesce a ruotare.	Il piatto del panno di lavaggio è bloccato da corpi estranei.	Rimuovere i corpi estranei.
15	DEEBOT non risponde all'istruzione della stazione.	DEEBOT è troppo lontano dalla stazione.	Se si trova oltre la distanza disponibile, è possibile utilizzare anche l'app ECOVACS HOME per il funzionamento di DEEBOT.
		DEEBOT e la stazione non sono associati.	Scollegare la stazione e attendere 10 secondi per ricollegarla. Spegnerne e riaccendere il robot. Spingere manualmente il robot verso l'alto sulla stazione e verificare che i contatti di ricarica siano collegati correttamente. A questo punto, il processo di ricarica viene avviato e l'associazione dei messaggi vocali è riuscita.
16	Impossibile attivare la chiusura bambini.	Interruzione della comunicazione tra la stazione e DEEBOT (ad esempio, per lunghe distanze o molte pareti divisorie)	Spostare DEEBOT vicino alla stazione per garantire una comunicazione regolare, quindi attivare la chiusura bambini.
17	Ruote motrici bloccate.	Le ruote motrici sono bloccate da corpi estranei.	Ruotare e premere le ruote motrici per verificare che non vi siano oggetti estranei avvolti o bloccati. Se sono presenti corpi estranei, rimuoverli in tempo. Se il problema persiste, contattare il Servizio clienti.

N.	Malfunzionamento	Possibili cause	Soluzioni
18	Quando l'acqua nel lavabo è piena e non può essere scaricata, il report vocale segnala che il lavabo è pieno.	Il serbatoio dell'acqua sporca non è installato correttamente.	Picchiettare il serbatoio dell'acqua sporca per verificare che sia installato correttamente.
		I tappi sigillanti nel serbatoio dell'acqua sporca non sono installati correttamente.	Verificare che i tappi sigillanti siano installati correttamente.
		La stazione non riesce a scaricare normalmente l'acqua.	Toccare due volte  per vedere se la stazione è in grado di prelevare correttamente l'acqua. Se il problema si verifica durante il processo di pulizia dei panni di lavaggio, tenere premuto  per terminare l'operazione, quindi toccare due volte  per verificare se la stazione è in grado di prelevare correttamente l'acqua. Se l'acqua viene prelevata correttamente, asciugare il sensore di fuoriuscita dell'acqua del lavabo. Se la stazione non riesce a prelevare l'acqua, verificare che non vi siano corpi estranei tra il serbatoio dell'acqua sporca e la stazione.
		La porta di aspirazione del lavabo è bloccata da un corpo estraneo.	Assicurarsi che non vi siano corpi estranei nella porta di aspirazione del lavabo.
		Il messaggio vocale rimane visualizzato dopo aver provato le soluzioni indicate sopra.	Scollegare la stazione e ricollegarla. Se il problema persiste, contattare il Servizio clienti per ricevere supporto.

Specifiche tecniche

Modello	DBX23
Ingresso nominale	20 V $\overline{=}$ 2A
Modello di stazione di pulizia	CH2128
Ingresso nominale (ricarica)	220 - 240 V \sim 50-60 Hz 0,3 A
Potenza (asciugatura)	100 W
Uscita nominale	20 V $\overline{=}$ 2A
Bande di frequenza	2400-2483,5 MHz
Standby rete	Meno di 2,00 W

La potenza di uscita del modulo Wi-Fi è inferiore a 100 mW.

Nota: le specifiche tecniche e di progettazione potrebbero variare a seguito dei miglioramenti continui sul prodotto.

Ulteriori accessori sono disponibili all'indirizzo <https://www.ecovacs.com/global>.

Инструкции по технике безопасности

ИНСТРУКЦИИ ПО ТЕХНИКЕ БЕЗОПАСНОСТИ

При использовании электрических приборов необходимо всегда соблюдать основные меры предосторожности, в том числе следующие.

ОЗНАКОМЬТЕСЬ СО ВСЕМИ ИНСТРУКЦИЯМИ ПЕРЕД ЭКСПЛУАТАЦИЕЙ ПРИБОРА

СОХРАНИТЕ НАСТОЯЩИЕ ИНСТРУКЦИИ

1. Данный прибор могут использовать дети от 8 лет и лица с ограниченными физическими, сенсорными или умственными способностями, а также лица, не обладающие достаточным опытом и знаниями, если они находятся под надлежащим присмотром или были проинструктированы о правильном использовании прибора и осознают возможные риски. Не позволяйте детям играть с прибором. Не следует доверять очистку и обслуживание прибора детям, находящимся без присмотра.
2. Освободите зону, подлежащую уборке, от посторонних предметов. Уберите с пола кабели питания и небольшие предметы, которые могут

помешать передвижению прибора. Подверните бахрому на ковре под его основание и поднимите с пола занавески и скатерти.

3. Если в зоне уборки есть перепады высот, например ступенька или лестница, необходимо воспользоваться ручным управлением, чтобы робот смог их распознать и не упасть с края. Возможно, потребуется установить физическое препятствие на краю, чтобы предотвратить падение прибора. Физическое препятствие не должно представлять опасность падения для человека.
4. Используйте прибор только в соответствии с инструкциями в настоящем руководстве. Используйте только те комплектующие, которые рекомендованы или поставляются производителем.
5. Напряжение источника питания должно соответствовать напряжению, указанному на станции очистки.
6. Прибор предназначен ТОЛЬКО для домашнего использования ВНУТРИ помещений. Не используйте прибор вне помещений, в коммерческой или промышленной среде.
7. Используйте только оригинальный перезаряжаемый аккумулятор и станцию очистки, поставляемые производителем в комплекте с прибором. Запрещено использовать неперезаряжаемые аккумуляторы.

8. Не используйте прибор без установленного контейнера для пыли и/или фильтров.
9. Не используйте прибор в местах, в которых располагаются зажженные свечи или хрупкие предметы.
10. Не используйте прибор при очень высокой или очень низкой температуре (ниже -5°C / 23°F или выше 40°C / 104°F).
11. Следите за тем, чтобы волосы, свободная одежда, пальцы и другие части тела не попадали в отверстия и подвижные части прибора.
12. Не используйте прибор в помещении, в котором спит младенец или ребенок.
13. Не используйте прибор на мокрых поверхностях или на поверхностях, залитых водой.
14. Не допускайте попадания в прибор крупных объектов, например камней, больших клочков бумаги или других предметов, которые могут привести к засорению прибора.
15. Не используйте прибор для сбора легковоспламеняющихся или горючих материалов, например бензина, тонера для принтера или копировального аппарата, и не используйте его в местах, где могут присутствовать такие вещества.
16. Не используйте прибор для сбора горящих или тлеющих предметов, таких как сигареты, спички, горячая зола или другие предметы, которые могут привести к возгоранию.
17. Не помещайте предметы во всасывающее отверстие. Не используйте прибор, если всасывающее отверстие заблокировано. Не допускайте скопления во всасывающем отверстии пыли, ворса, волос или любых других предметов, которые могут препятствовать прохождению потока воздуха.
18. Соблюдайте осторожность, чтобы не повредить кабель питания. Не тяните и не переносите прибор или станцию очистки за кабель питания, не пользуйтесь кабелем питания как ручкой, не зажимайте его створками дверей и не тяните провод по острым краям или углам. Следите за тем, чтобы прибор не наезжал на кабель питания. Не допускайте соприкосновения кабеля питания с горячими поверхностями.
19. Во избежание возникновения опасных ситуаций при повреждении кабеля питания его замену должен выполнять производитель или сотрудник официальной сервисной службы.
20. Не пользуйтесь станцией очистки, если она повреждена. Блок питания не подлежит ремонту и не должен использоваться в случае его повреждения или неисправности.
21. Использование прибора с поврежденным кабелем питания или розеткой запрещено. Не пользуйтесь прибором или станцией очистки при нарушении их функционирования, а также после падения, повреждения, пребывания на открытом воздухе или попадания в воду. Во избежание

возникновения опасных ситуаций ремонт прибора должен выполнять производитель или сотрудник официальной сервисной службы.

22. Перед очисткой или проведением процедур по обслуживанию прибора установите его переключатель питания в положение «ВЫКЛ.».
23. Перед очисткой или проведением процедур по обслуживанию станции очистки следует обязательно отключить ее от электросети.
24. Перед извлечением аккумулятора для утилизации прибора снимите прибор со станции очистки и установите переключатель питания прибора в положение «ВЫКЛ.».
25. Перед утилизацией прибора необходимо извлечь и утилизировать аккумулятор в соответствии с местными законодательными и нормативными требованиями.
26. Утилизация использованных аккумуляторов должна проводиться в соответствии с местными законодательными и нормативными требованиями.
27. Не сжигайте прибор, даже если он сильно поврежден. При сжигании аккумуляторы могут взорваться.
28. Если вы долгое время не используете станцию очистки, отключите ее от электросети.
29. Прибор должен использоваться с соблюдением инструкций, изложенных в настоящем руководстве по эксплуатации. Компания

ECOVACS ROBOTICS не несет какой-либо ответственности за повреждения или неисправности, вызванные неправильной эксплуатацией прибора.

30. Замена аккумуляторов данного робота должна выполняться только квалифицированными специалистами. Для замены аккумулятора обратитесь в сервисный центр.
31. Если вы не планируете использовать робота в течение продолжительного времени, выключите его и отключите станцию очистки от электросети.
- 32. ПРЕДУПРЕЖДЕНИЕ.** Для зарядки аккумулятора используйте только отсоединяемый блок питания CH2128, входящий в комплект поставки.

В соответствии с требованиями относительно воздействия радиочастотного излучения во время эксплуатации устройства расстояние между ним и пользователями должно составлять не менее 20 см.

Для обеспечения соответствия нормативным требованиям не рекомендуется использовать прибор на более близком расстоянии. Антенна, используемая для данного передатчика, не должна находиться рядом или использоваться совместно с любой другой антенной или передатчиком.

Обновление устройства

Как правило, некоторые устройства обновляются каждые два месяца, но это не всегда так.

Некоторые устройства, особенно те, которые поступили в продажу более трех лет назад, будут обновлены только в случае обнаружения и устранения критической уязвимости.

	Класс II
	Разделительный трансформатор с защитой от короткого замыкания
	Импульсный источник питания
	Только для использования внутри помещений
	Постоянный ток
	Переменный ток

Для стран Европейского союза

Для получения информации относительно Декларации о соответствии нормативным требованиям ЕС перейдите по следующему адресу: <https://www.ecovacs.com/global/compliance>.

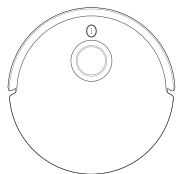


Правила утилизации данного изделия

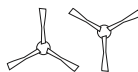
Этот знак означает, что данное изделие не следует утилизировать вместе с бытовыми отходами на территории стран ЕС. Для предотвращения нанесения вреда окружающей среде и здоровью людей в результате неконтролируемой утилизации отходов прибор следует утилизировать с должной ответственностью, чтобы обеспечить экологически устойчивое повторное использование материалов. Чтобы утилизировать устройство, воспользуйтесь системой сбора и возврата или обратитесь в магазин, в котором оно было приобретено. Это позволит обеспечить безопасную утилизацию изделия.

Дистанционное видеонаблюдение предназначено только для частного использования в непубличных местах, находящихся в частном владении, и только в целях самостоятельного обеспечения безопасности и контроля. В случае использования ознакомьтесь с местными юридическими обязательствами по защите данных. Видеонаблюдение в общественных местах, особенно с тайным умыслом и/или со стороны работодателя без обоснованных причин, запрещено. Ответственность за такое неправомерное использование лежит исключительно на пользователе, который берет на себя все риски.

Комплектация



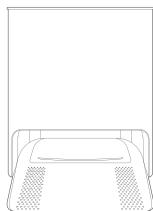
Робот



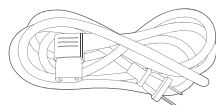
Двойные боковые щетки



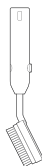
Многоразовые салфетки для влажной уборки



Станция очистки



Кабель питания



Щетка для очистки



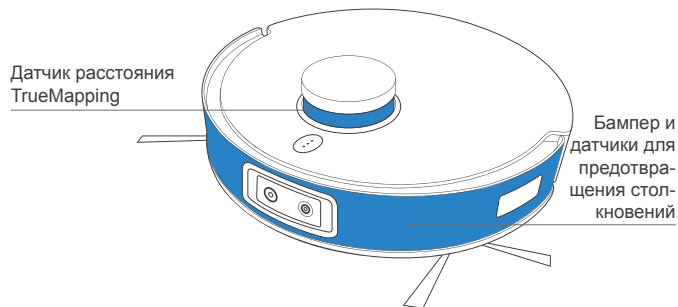
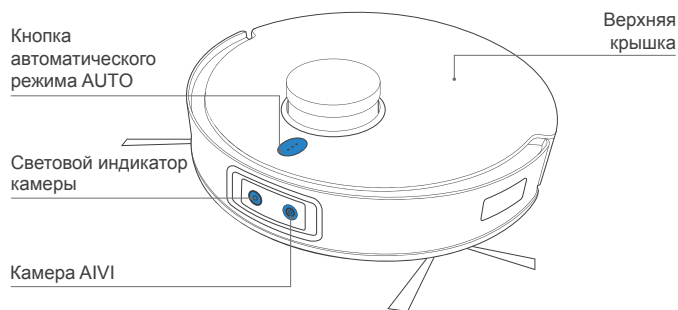
Руководство по эксплуатации



Многофункциональный инструмент очистки

Схема изделия

Робот



Примечание. Рисунки и иллюстрации приведены в ознакомительных целях и могут отличаться от фактического внешнего вида изделия. Конструкция и технические характеристики изделия могут быть изменены без предварительного уведомления.

Кнопка сброса настроек

Микрофон

Переключатель питания
«I» = «ВКЛ.»
«O» = «ВЫКЛ.»
Индикатор состояния сети Wi-Fi

Контейнер для пыли

Высокоэффективный фильтр

Губчатый фильтр

Ручка контейнера для пыли

Решетка фильтра

Кнопка разблокировки

Вид снизу

Датчик распознавания ковров

Главная щетка

Датчики для предотвращения падения

Кнопка разблокировки главной щетки

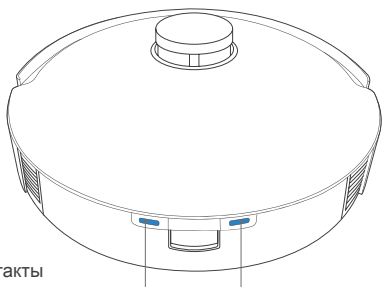
Разъемы для крепления комплекта с салфетками для влажной уборки

Универсальное колесо

Боковые щетки

Ведущие колеса

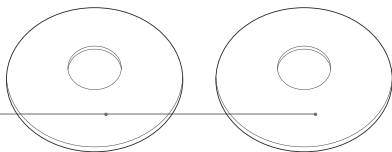
Датчики для предотвращения падения



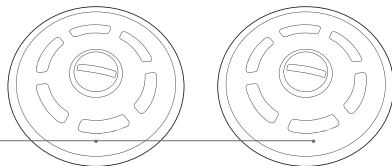
Зарядные контакты

Комплект с салфетками для влажной уборки

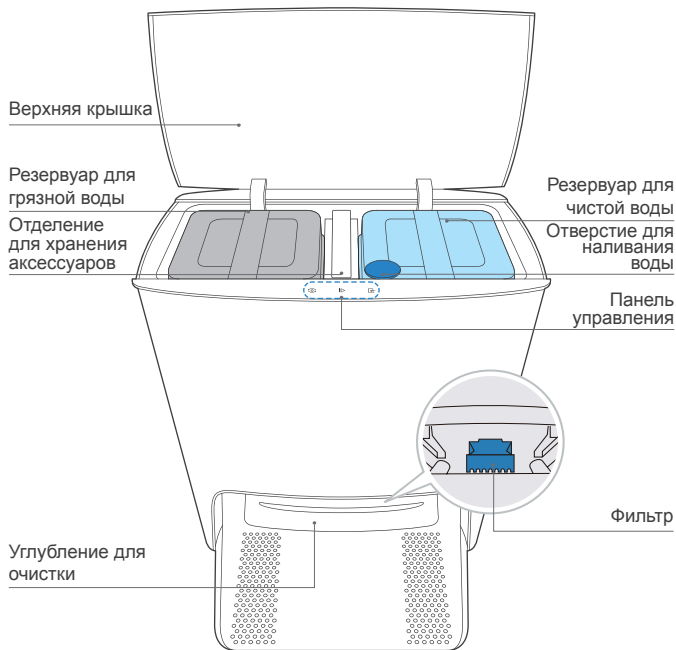
Многоразовые салфетки для влажной уборки



Пластины, к которым прикрепляются салфетки для влажной уборки



Станция очистки



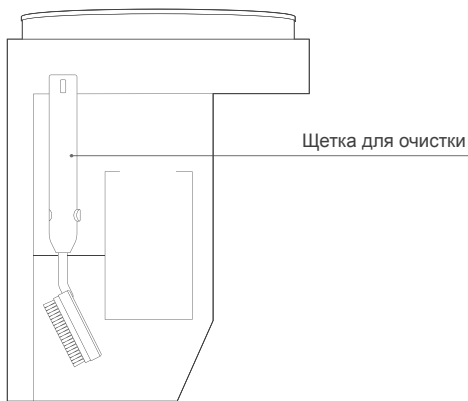
Кнопка панели управления

Кнопка автоматической очистки

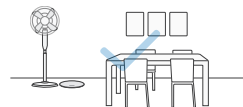


Кнопка возврата/выхода

Кнопка запуска/приостановки работы



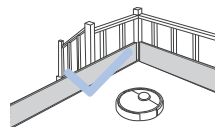
Подготовка к уборке



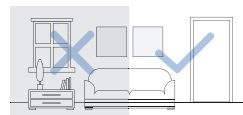
Наведите порядок в зоне, подлежащей уборке, расставив мебель, например стулья, на свое обычное место.



При первом использовании откройте двери во все комнаты, чтобы робот DEEBOT полностью исследовал ваш дом.



Возможно, потребуется установить физическое препятствие на границе перепада высоты, чтобы предотвратить падение прибора.



Убедитесь, что зоны, подлежащие уборке, хорошо освещены, чтобы обеспечить надлежащую работу камеры AIVI. Уберите с пола кабели питания и небольшие предметы для обеспечения эффективной уборки.



Уберите с пола такие предметы, как кабели, салфетки, домашняя обувь и т. д., для повышения эффективности уборки.



Очистите камеру AIVI и датчик расстояния TrueMapping чистой тканью и не используйте моющие средства или чистящие спреи.



Перед использованием изделия на ковре с бахромой по краям необходимо подвернуть края ковра.



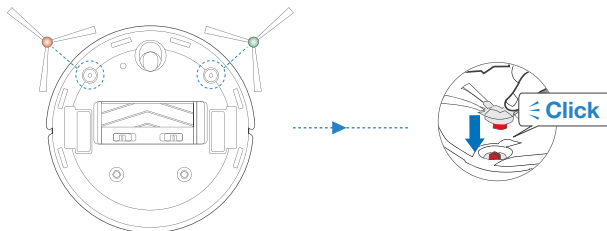
Не стойте в узких пространствах, например коридорах, и не препятствуйте работе камеры AIVI.

Краткое руководство

Перед использованием робота DEEBOT снимите все защитные ленты или пленки с робота и станции очистки.

Установка боковой щетки

Цвет боковой щетки должен соответствовать цвету разъема для крепления.



Приложение ECOVACS HOME

Чтобы воспользоваться всеми доступными возможностями, для управления роботом DEEBOT рекомендуется использовать приложение ECOVACS HOME.

Прежде чем приступить к использованию, убедитесь в следующем.

- Мобильный телефон подключен к сети Wi-Fi.
- На маршрутизаторе используется сигнал беспроводной связи в диапазоне 2,4 ГГц или 2,4/5 ГГц.
- Индикатор сети Wi-Fi на роботе DEEBOT медленно мигает.



Индикатор сети Wi-Fi

	Медленно мигает	Нет подключения к сети Wi-Fi или ожидание подключения к сети Wi-Fi
	Быстро мигает	Выполняется подключение к сети Wi-Fi
	Непрерывно светится	Подключение к сети Wi-Fi установлено

Подключение к сети Wi-Fi

Перед настройкой подключения к сети Wi-Fi убедитесь, что робот DEEBOT, мобильный телефон и сеть Wi-Fi соответствуют следующим требованиям.

Требования к роботу DEEBOT и мобильному телефону

- Робот DEEBOT полностью заряжен, а его переключатель питания установлен в положение «ВКЛ.».
- Индикатор состояния сети Wi-Fi медленно мигает.
- На мобильном телефоне отключена передача данных по сотовой сети (ее можно включить обратно после настройки).

Требования к сети Wi-Fi

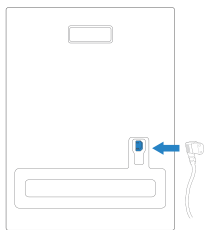
- Используется сеть, работающая в диапазоне 2,4 ГГц или смешанном диапазоне 2,4/5 ГГц.
- Маршрутизатор поддерживает стандарт 802.11b/g/n и протокол IPv4.
- Не используется VPN (Virtual Private Network — виртуальная частная сеть) или прокси-сервер.
- Не используется скрытая сеть.
- WPA или WPA2 с использованием шифрования TKIP, PSK, AES/CCMP.
- WEP EAP (Enterprise Authentication Protocol) не поддерживается.
- В Северной Америке используются каналы Wi-Fi 1–11, а за ее пределами — каналы 1–13 (обратиться в местный регулирующий орган).
- При использовании сетевого усилителя/ретранслятора пароль и имя сети (SSID) совпадают с данными основной сети.

После подключения к сети Wi-Fi робот DEEBOT перейдет в сетевой режим ожидания, если в течение 10 минут не поступит сигнал.

Обратите внимание, что для работы интеллектуальных функций, таких как удаленный запуск, голосовое взаимодействие, отображение карт в 2D/3D и настройки управления, а также персонализированная уборка (в зависимости от различных продуктов), пользователи должны загрузить и использовать регулярно обновляемое приложение ECOVACS HOME. Вам необходимо принять условия нашей политики конфиденциальности и пользовательского соглашения, прежде чем мы сможем обработать ваши основные и необходимые данные и предоставить возможность управления устройством с помощью ECOVACS HOME. Если вы не согласны с условиями нашей политики конфиденциальности и пользовательского соглашения, в приложении ECOVACS HOME не будут доступны некоторые из вышеупомянутых интеллектуальных функций, но вы все равно сможете использовать основные функции данного продукта для управления вручную.

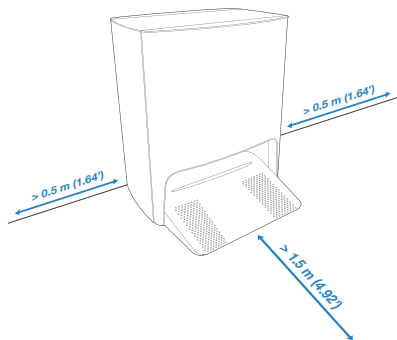
Зарядка робота DEEBOT

1 Сборка станции очистки



2 Установка станции очистки

Вокруг станции не должно быть никаких посторонних объектов или отражающих поверхностей.

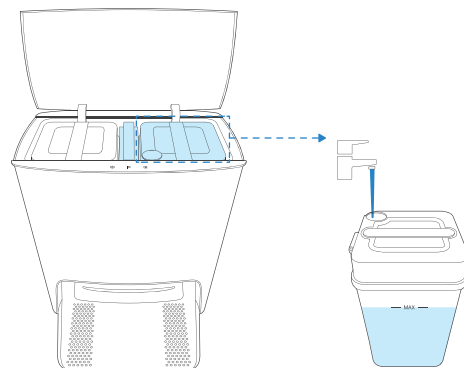


* Если рядом со станцией есть отражающие поверхности, например зеркала и плинтуса с отражающими элементами, то нижняя часть таких объектов должна быть закрыта на 14 см.

Не размещайте станцию в местах, где она будет подвергаться воздействию прямых солнечных лучей.

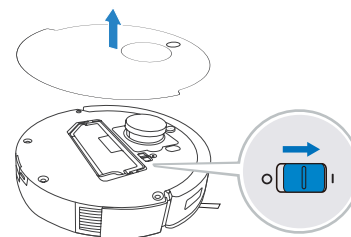
Рекомендуется установить станцию на пол с твердым покрытием для обеспечения доступа ко всем функциональным возможностям робота.

3 Добавление воды в резервуар для чистой воды



Примечание. Рекомендуется применять моющее средство DEEBOT от ECOVACS (приобретается отдельно). Использование другого чистящего средства может привести к скольжению робота DEEBOT, блокировке резервуара для воды и другим проблемам.

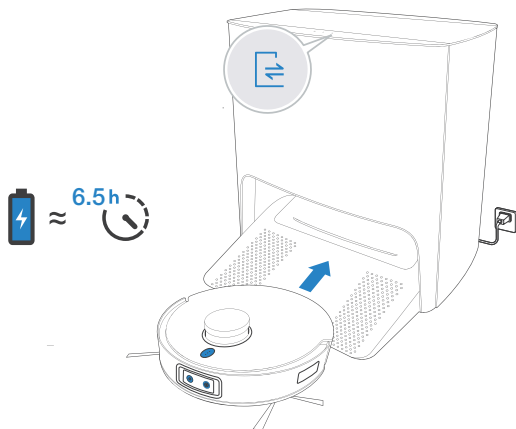
4 Включение питания



Примечание. «I» = «ВКЛ.», «O» = «ВЫКЛ.».

Робот DEEBOT не заряжается, когда его питание отключено.

5 Зарядка робота DEEBOT





Рекомендуется, чтобы робот DEEBOT начинал уборку со станции. Не перемещайте станцию во время уборки.

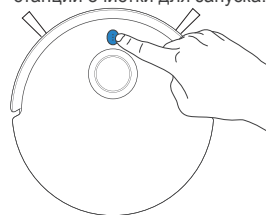
Эксплуатация робота DEEBOT

При построении карты в первый раз следуйте за роботом DEEBOT, чтобы помочь устранить какие-нибудь незначительные проблемы. Например, робот DEEBOT может застрять под мебелью с низкими ножками. Попробуйте следующие решения:

- 1 Если возможно, поднимите мебель;
- 2 Закройте нижнюю часть мебели;
- 3 Настройте виртуальную границу с помощью приложения.

1 Запуск

Нажмите кнопку  на роботе DEEBOT или кнопку  на станции очистки для запуска.

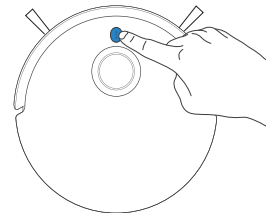


Примечание.


1. Перед проведением уборки в первый раз убедитесь, что робот DEEBOT полностью заряжен.
2. Не рекомендуется устанавливать пластины, к которым прикрепляются салфетки для влажной уборки, при первой уборке.

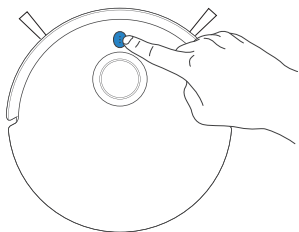
2 Приостановка работы

Нажмите кнопку  на роботе DEEBOT или кнопку  на станции очистки для приостановки работы.



3 Выход из спящего режима

Световой индикатор погаснет через несколько минут после приостановки работы устройства. Нажмите кнопку  на роботе DEEBOT для вывода устройства из спящего режима.



4 Возвращение на станцию

Нажмите и удерживайте кнопку  в течение 3 секунд для возвращения робота DEEBOT на станцию очистки.

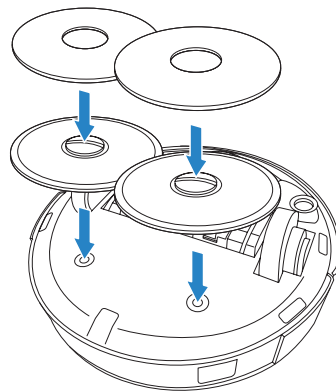


Примечание. Когда робот DEEBOT не используется, рекомендуется оставить его включенным на станции для зарядки.



Мытье полов

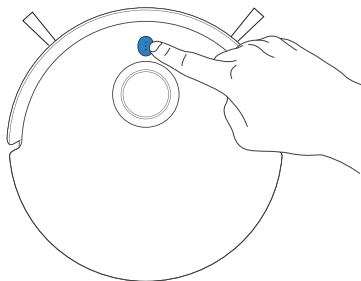
Не используйте функцию мытья полов на ковровых покрытиях.

1 Установка салфеток для влажной уборки и пластин, к которым они прикрепляются.



2 Мытье полов

Нажмите кнопку  на роботе DEEBOT или кнопку  на станции очистки, чтобы запустить влажную уборку



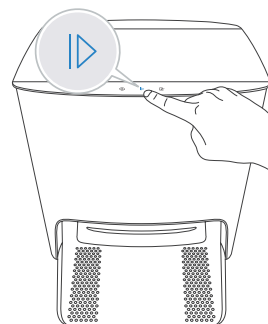
Примечание.

1. Не снимайте многоразовые салфетки для влажной уборки слишком часто.
2. Не используйте тряпку или другие предметы для того, чтобы оттереть пластины, к которым прикрепляются салфетки для влажной уборки.
3. Когда приложение ECOVACS HOME предложит заменить эти аксессуары для мытья полов, выполните их своевременную замену.

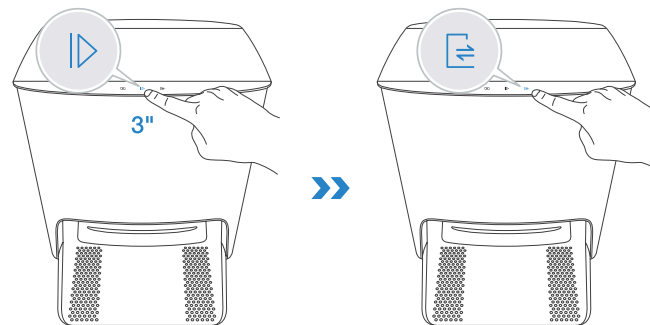
Дополнительные аксессуары можно найти в приложении ECOVACS HOME или по следующему адресу: <https://www.ecovacs.com/global>.

Станция очистки

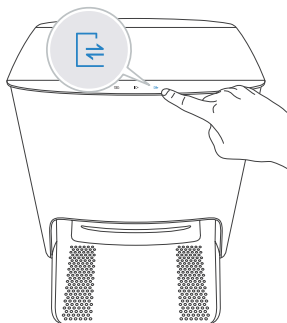
1 Запуск/приостановка работы устройства DEEBOT



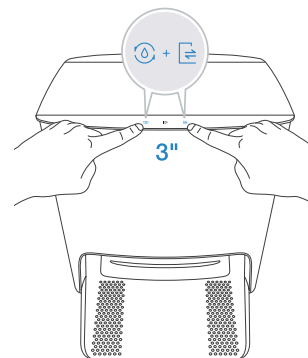
2 Возвращение робота DEEBOT



3 Команда для выезда робота DEEBOT из станции очистки



4 Включение/выключение блокировки управления



При включении блокировки управления сенсорная клавиша на роботе DEEBOT и станция будут заблокированы для обеспечения безопасности. Повторите этот шаг, чтобы отключить блокировку управления.

Регулярное обслуживание

Для поддержания максимальной производительности робота DEEBOT выполняйте обслуживание и замену деталей в соответствии со следующими инструкциями.

Деталь робота	Частота обслуживания	Частота замены
Многоразовая салфетка для влажной уборки	/	Каждые 1–2 месяца
Боковая щетка	Раз в 2 недели	Каждые 3–6 месяца
Главная щетка	Раз в неделю	Каждые 6–12 месяца
Губчатый/высокоэффективный фильтры	Раз в неделю	Каждые 3–6 месяца
Камера AIVI Датчик расстояния TrueMapping Универсальное колесо Датчики для предотвращения падения Бампер Зарядные контакты Контакты станции очистки	Раз в неделю	/
Углубление для очистки	Раз в 2 недели	/
Резервуар для чистой воды	Раз в 3 месяца	/
Резервуар для грязной воды	После каждого мытья полов	/
Станция очистки	Раз в месяц	/
Фильтр	Раз в месяц	/

Прежде чем приступить к очистке и обслуживанию робота DEEBOT, выключите его и отключите станцию очистки от электросети.

Для удобства обслуживания в комплект поставки входит многофункциональный инструмент очистки. Инструмент очистки имеет острые края, поэтому используйте его с осторожностью.

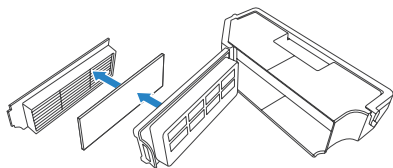
Примечание. ECOVACS поставяет различные комплектующие и запасные детали. Для получения более подробной информации о запасных деталях обратитесь в сервисный центр.

Обслуживание контейнера для пыли

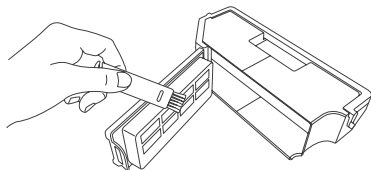
1



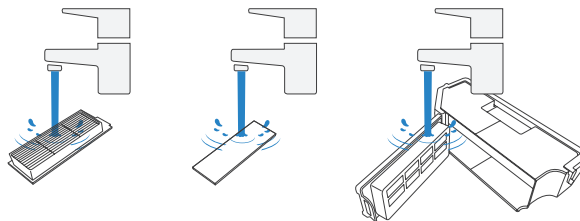
2



3



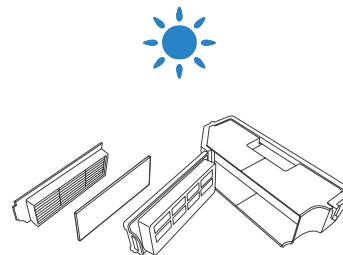
4



Примечание.

1. Проймите фильтр водой, как показано выше.
2. Не выполняйте очистку высокоэффективного фильтра с помощью пальцев или щеток.

5



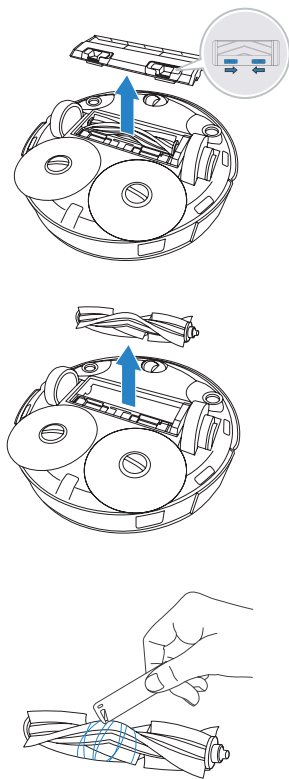
Примечание.

Дождитесь полного высыхания фильтра, прежде чем приступить к использованию.

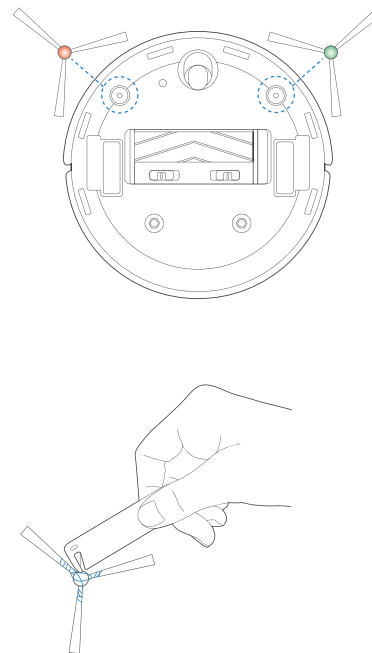
Дополнительные аксессуары можно найти в приложении ECOVACS HOME или по следующему адресу: <https://www.ecovacs.com/global>.

Обслуживание главной и боковых щеток

Главная щетка

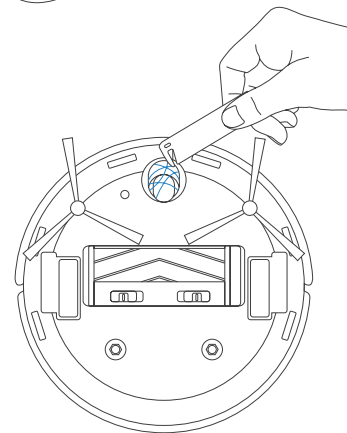
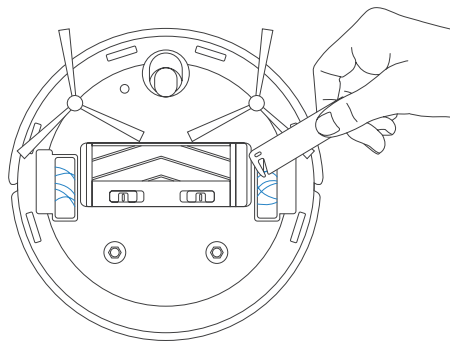
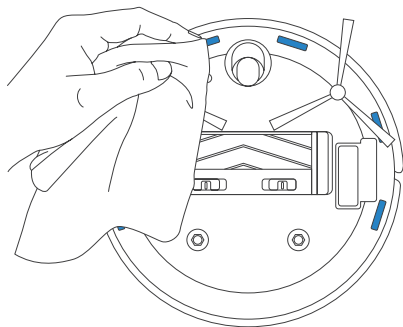
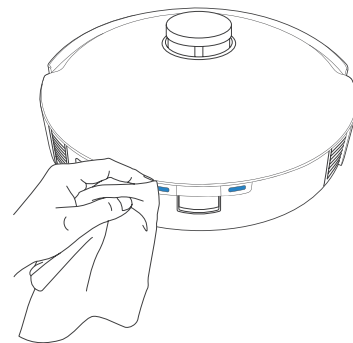
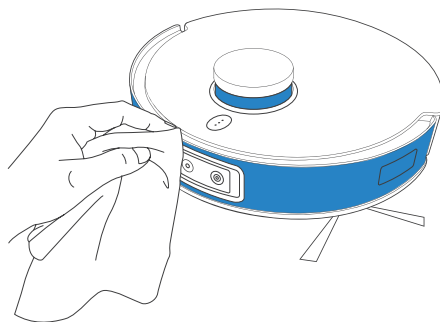
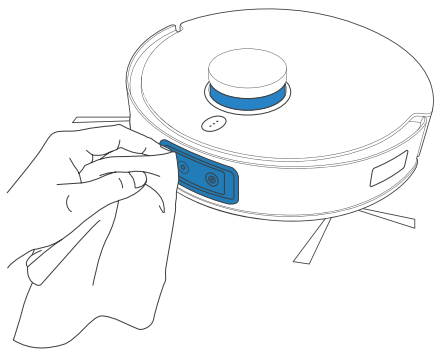


Боковые щетки



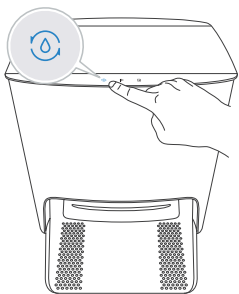
Обслуживание других компонентов

Примечание. Протирайте компоненты чистой сухой тканью. Не используйте чистящие спреи или моющие средства.

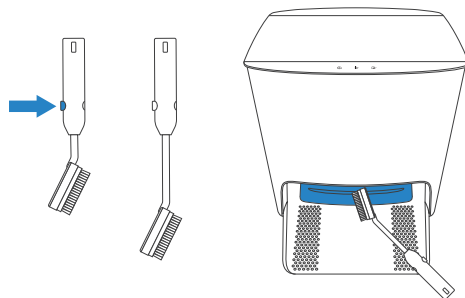


Обслуживание станции очистки

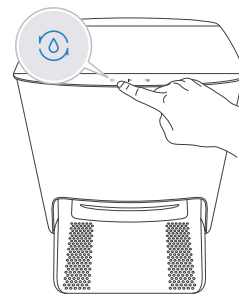
- 1** Налейте воду в углубление для очистки



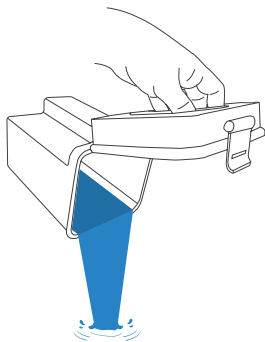
- 2** Очистите углубление для очистки



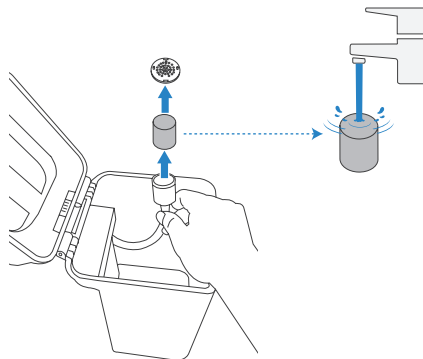
- 3** Слейте воду из углубления для очистки



- 4** Опустошите резервуар для грязной воды

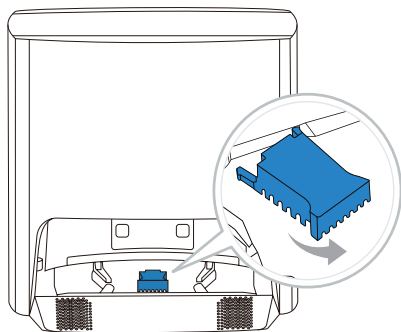


- 5** Очистите фильтр резервуара для чистой воды

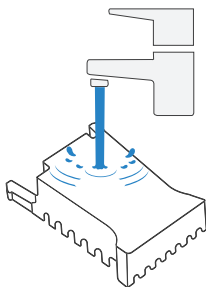


Обслуживание фильтра

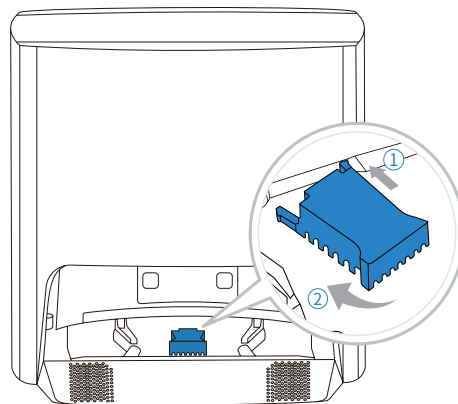
1 Извлеките фильтр



2 Промойте фильтр




3 Установите фильтр






Устранение неисправностей

№	Неисправность	Возможные причины	Решения
1	Роботу DEEBOT не удается выполнить подключение к приложению ECOVACS HOME.	Введен неверный пароль или имя пользователя домашней сети Wi-Fi.	Введите правильное имя пользователя и пароль для домашней сети Wi-Fi.
		Робот DEEBOT находится вне зоны действия сигнала домашней сети Wi-Fi.	Убедитесь, что робот DEEBOT находится в зоне действия сигнала домашней сети Wi-Fi.
		Робот DEEBOT не находится в состоянии конфигурации.	Убедитесь, что робот DEEBOT подключен к источнику питания и включен. Откройте крышку и нажмите кнопку сброса настроек. Робот DEEBOT перейдет в состояние конфигурации, когда вы услышите голосовое уведомление.
		Установлено неверное приложение.	Загрузите и установите приложение ECOVACS HOME.
		Не используется сеть, работающая в диапазоне 2,4 ГГц или смешанном диапазоне 2,4/5 ГГц.	Робот DEEBOT не поддерживает сеть 5G. Используйте сеть, работающую в диапазоне 2,4 ГГц или смешанном диапазоне 2,4/5 ГГц.
2	Данные карты потеряны.	Данные карты могут быть потеряны при перемещении робота DEEBOT во время уборки.	Переместите робота DEEBOT на переднюю часть станции, чтобы получить данные карты. Найдите восстановленную карту в разделе «Настройка карты» и нажмите «Использовать эту карту» для получения ее данных. Если после выполнения описанных выше действий устранить проблему так и не удалось, перезапустите построение карты.
3	Не удается создать карту мебели в приложении.	Робот DEEBOT не начинает уборку со станции.	Робот DEEBOT должен начинать уборку со станции.
		Перемещение робота DEEBOT во время уборки может привести к его дезориентации.	По возможности не перемещайте робот DEEBOT во время уборки.
		Автоматическая уборка не завершена.	Убедитесь, что робот DEEBOT автоматически возвращается на станцию после уборки.
4	Во время использования из робота DEEBOT выпадают боковые щетки.	Боковые щетки не установлены надлежащим образом.	Боковые щетки робота DEEBOT должны зафиксироваться на месте со щелчком.

№	Неисправность	Возможные причины	Решения
5	Сигнал не найден. Не удается вернуться на станцию.	Станция размещена неправильно.	Разместите станцию надлежащим образом в соответствии с инструкциями в разделе [Зарядка робота DEEBOT] .
		На станцию не подается питание, или она перемещена вручную.	Проверьте, подключена ли станция к источнику питания. Не перемещайте станцию вручную.
		Робот DEEBOT не начинает уборку со станции.	Рекомендуется, чтобы робот DEEBOT начинал уборку со станции.
		Заблокирован путь к станции для зарядки. Например, дверь комнаты, в которой находится станция, закрыта.	Следите за тем, чтобы ничто не преграждало путь к станции для зарядки.
6	Робот DEEBOT возвращается на станцию до завершения уборки.	Размер комнаты настолько большой, что роботу DEEBOT необходимо вернуться для подзарядки.	Включите режим непрерывной уборки. Для получения дополнительных сведений следуйте инструкциям в приложении.
		Роботу DEEBOT не удается получить доступ к некоторым зонам, заблокированным мебелью или препятствиями.	Наведите порядок в зоне, подлежащей уборке, расставив мебель и небольшие предметы на свое обычное место.
7	Робот DEEBOT не заряжается.	Робот DEEBOT не включен.	Включите робот DEEBOT.
		Зарядные контакты робота DEEBOT не подключены к контактам станции.	Убедитесь, что зарядные контакты робота подключены к контактам станции, а кнопка  мигает. Проверьте, не загрязнены ли зарядные контакты робота DEEBOT и станция. Очистите эти компоненты в соответствии с инструкциями в разделе [Обслуживание] .
		Станция не подключена к источнику питания.	Убедитесь, что станция подключена к источнику питания.
		Аккумулятор накопит избыточный заряд, если вы не будете использовать робот DEEBOT в течение длительного времени.	Рекомендуется регулярно использовать робот DEEBOT. Если выполнить зарядку аккумулятора не удастся, поскольку он не использовался в течение длительного времени, обратитесь за помощью в службу поддержки клиентов.
8	Громкий шум во время уборки.	Боковые щетки и главная щетка запутались. Контейнер для пыли и фильтр заблокированы.	Рекомендуется регулярно выполнять очистку боковых щеток, главной щетки, контейнера для пыли, фильтра и т. д.
		На роботе DEEBOT включен режим максимальной мощности всасывания MAX.	Переключитесь на стандартный режим.
9	Робот DEEBOT застревает во время работы и останавливается.	Робот DEEBOT запутался в предметах на полу (в проводах, занавесках, бахроме ковра и т. д.).	Робот DEEBOT попытается освободиться различными способами. Если ему это не удастся, устраните препятствия вручную и перезапустите робот.
		Робот DEEBOT может застрять под мебелью, если расстояние от ее нижней границы до пола и высота робота совпадают.	Установите физическое препятствие или виртуальную границу в приложении ECOVACS HOME.

№	Неисправность	Возможные причины	Решения
10	<p>Во время уборки робот DEEBOT может начать хаотично перемещаться, отклониться от заданной траектории, начать повторную уборку, пропускать небольшие загрязненные участки и т. д. (Если при уборке был временно пропущен большой участок, робот DEEBOT самостоятельно его уберет. Время от времени робот DEEBOT будет возвращаться в убранную комнату для поиска пропущенных участков.)</p>	<p>Такие предметы, как провода и домашняя обувь, размещенные на полу, влияют на нормальную работу устройства DEEBOT.</p>	<p>Перед запуском робота уберите разбросанные провода, домашнюю обувь и другие предметы. На полу должно остаться как можно меньше разбросанных предметов. Если останется пропущенный загрязненный участок, робот DEEBOT самостоятельно выполнит его уборку. Не вмешивайтесь в работу устройства (не трогайте робот DEEBOT и не преграждайте ему путь).</p>
		<p>Ведущие колеса могут скользить по полу, когда робот DEEBOT взбирается по ступенькам и дверным порогам, что влияет на его оценку обстановки в доме.</p>	<p>Рекомендуется закрыть дверь, ведущую к этой зоне, и убрать ее отдельно. После уборки робот DEEBOT вернется в исходное местоположение. Вы можете спокойно использовать устройство.</p>
		<p>При уборке на свеженатертом воске и полированном полу или гладкой плитке трение между ведущими колесами и полом может снизиться.</p>	<p>Дождитесь высыхания воска перед уборкой.</p>
		<p>Из-за различной обстановки в доме уборка некоторых зон не может быть выполнена.</p>	<p>Расчистите пространство в доме, чтобы робот DEEBOT смог въехать и выполнить уборку.</p>
		<p>Датчик расстояния TrueMapping загрязнен или заблокирован посторонними предметами.</p>	<p>Протрите датчик расстояния TrueMapping чистой мягкой тканью или уберите посторонние предметы.</p>
11	<p>Видеоменеджер не открывается или его экран не отображается.</p>	<p>Сбой подключения к сети Wi-Fi.</p>	<p>Проверьте состояние подключения к сети Wi-Fi. Для включения видеоменеджера робот DEEBOT должен находиться в зоне с устойчивым сигналом сети Wi-Fi.</p>
		<p>Авторизация видеоменеджера не выполнена.</p>	<p>Перед использованием робота проверьте свое согласие с политикой конфиденциальности.</p>
		<p>Возможно, из-за задержки в сети вы временно не сможете открыть видеоменеджер.</p>	<p>Повторите попытку позднее.</p>
		<p>Камера AIVI заблокирована.</p>	<p>Снимите накладку.</p>
12	<p>Задержки при дистанционном управлении.</p>	<p>Слабый сигнал сети Wi-Fi может стать причиной медленной загрузки видео.</p>	<p>Используйте робот DEEBOT в зонах с устойчивым сигналом сети Wi-Fi.</p>

№	Неисправность	Возможные причины	Решения
13	Камере AIVI не удается распознать объекты.	Зона уборки плохо освещена.	Для работы функции интеллектуального распознавания требуется достаточное освещение. Убедитесь, что зоны, подлежащие уборке, хорошо освещены.
		Объектив камеры AIVI загрязнен или заблокирован.	Очистите объектив чистой мягкой тканью и убедитесь, что датчик не закрыт посторонними предметами. Не используйте моющие средства или чистящие спреи во время очистки.
14	Пластина, к которой прикрепляется салфетка для влажной уборки, не вращается.	Пластина, к которой прикрепляется салфетка для влажной уборки, заблокирована посторонними предметами.	Уберите посторонние предметы.
15	Робот DEEBOT не отвечает на инструкции станции.	Робот DEEBOT находится слишком далеко от станции.	Если допустимое расстояние превышено, для управления роботом DEEBOT можно также использовать приложение ECOVACS HOME.
		Между роботом DEEBOT и станцией не установлено сопряжение.	Отключите станцию от электросети и подождите 10 секунд, затем подключите ее обратно. Выключите робот, а затем включите его обратно. Пододвиньте робот к станции вручную и убедитесь, что зарядные контакты подключены правильно. Затем начнется зарядка робота DEEBOT, и будет воспроизведено голосовое уведомление об успешном сопряжении.
16	Не удалось включить блокировку управления.	Прерывание связи между станцией и роботом DEEBOT (например, из-за большого расстояния или большого количества межкомнатных перегородок)	Разместите робот DEEBOT рядом со станцией для обеспечения непрерывной связи, а затем включите блокировку управления.
17	Ведущие колеса заблокированы.	Ведущие колеса заблокированы посторонними предметами.	Поверните ведущие колеса и нажмите на них, чтобы проверить, не накрутились ли на них или не застряли ли в них посторонние предметы. При попадании каких-либо посторонних предметов убирайте их своевременно. Если устранить проблему не удалось, обратитесь за помощью в службу поддержки клиентов.

№	Неисправность	Возможные причины	Решения
18	Если углубление для очистки заполнено водой и ее не удастся слить, будет воспроизведено голосовое уведомление о том, что углубление для очистки заполнено.	Резервуар для грязной воды установлен неправильно.	Нажмите на резервуар для грязной воды, чтобы убедиться в его правильной установке.
		Уплотнительные заглушки в резервуаре для грязной воды установлены неправильно.	Убедитесь, что уплотнительные заглушки установлены правильно.
		Станции не удается слить воду должным образом.	Дважды нажмите кнопку  , чтобы проверить, удается ли станции слить воду надлежащим образом. Если проблема возникает во время очистки салфеток для влажной уборки, нажмите и удерживайте кнопку  , чтобы завершить задание, а затем дважды нажмите кнопку  , чтобы проверить, удается ли станции слить воду надлежащим образом. При успешном сливе воды насухо протрите датчик переполнения водой углубления для очистки. Если станции не удается слить воду, проверьте наличие посторонних предметов между резервуаром для грязной воды и станцией, и уберите их.
		Всасывающее отверстие углубления для очистки заблокировано посторонними предметами.	Убедитесь в отсутствии посторонних предметов во всасывающем отверстии углубления для очистки.
		После применения указанных выше решений по-прежнему воспроизводится голосовое уведомление.	Отключите станцию от электросети, а затем подключите ее обратно. Если устранить проблему не удалось, обратитесь в службу поддержки клиентов.

Технические характеристики

Модель	DBX23
Номинальное входное напряжение	20 В $\overline{\text{===}}$ 2 А
Модель станции очистки	CH2128
Номинальное входное напряжение (во время зарядки)	220–240 В \sim 50–60 Гц 0,3 А
Мощность (во время сушки)	100 Вт
Номинальное выходное напряжение	20 В $\overline{\text{===}}$ 2 А
Диапазон частот	2400–2483,5 МГц
Потребляемая мощность в сетевом режиме ожидания	Менее 2,00 Вт

Выходная мощность модуля сети Wi-Fi — не более 100 мВт.

Примечание. Технические характеристики и внешний вид могут быть изменены с целью усовершенствования изделия.

Дополнительные аксессуары можно найти по следующему адресу: <https://www.ecovacs.com/global>.

Ważne wskazówki dotyczące bezpieczeństwa

WAŻNE WSKAZÓWKI DOTYCZĄCE BEZPIECZEŃSTWA

Podczas korzystania z urządzenia elektrycznego należy zawsze przestrzegać podstawowych zasad ostrożności, w tym:

PRZED ROZPOCZĘCIEM KORZYSTANIA Z URZĄDZENIA NALEŻY PRZECZYTAĆ WSZYSTKIE ZALECENIA ZACHOWAĆ NINIEJSZE INSTRUKCJE

1. Z tego urządzenia mogą korzystać dzieci w wieku powyżej 8 lat i osoby o obniżonej sprawności fizycznej, sensorycznej, umysłowej lub bez odpowiedniej wiedzy i doświadczenia, jeżeli zostały one poddane nadzorowi lub szkoleniu dotyczącemu korzystania z urządzenia w sposób bezpieczny i rozumieją związane z nim zagrożenia. Dzieciom nie wolno bawić się tym urządzeniem. Czyszczenie i konserwacja urządzenia nie mogą być wykonywane przez dzieci bez nadzoru.
2. Uporządkować obszar sprzątanía. Usunąć z podłogi przewody zasilające i inne małe przedmioty, w które mogłoby zaplątać się urządzenie. Umieścić frędzle pod dywanem i podnieść z podłogi takie rzeczy jak zastony i obrusy.
3. Jeśli na obszarze sprzątanía występują stopnie lub schody, to należy przy pierwszym użyciu nadzorować działanie urządzenia, aby upewnić się, że może wykryć stopień bez upadku. Umieszczenie fizycznej bariery przy krawędzi może być konieczne, aby urządzenie nie spadało. Fizyczna bariera nie powinna stanowić zagrożenia potknięciem.
4. Używać urządzenia wyłącznie w sposób opisany w niniejszej instrukcji. Używać wyłącznie akcesoriów zalecanych lub sprzedawanych przez producenta.
5. Sprawdzić, czy napięcie źródła zasilania jest zgodne z napięciem zasilania podanym na stacji dokującej.
6. Urządzenie jest przeznaczone **WYŁĄCZNIE** do użytku domowego w **POMIESZCZENIACH**. Nie należy używać urządzenia na zewnątrz pomieszczeń, w środowisku komercyjnym lub przemysłowym.
7. Używać wyłącznie oryginalnego akumulatora

- i stacji dokującej dołączonej przez producenta do urządzenia. Zabronione jest używanie baterii jednorazowych.
8. Nie należy używać urządzenia bez zamontowanego pojemnika na kurz i/lub bez filtrów.
 9. Nie należy używać urządzenia w miejscach, w których znajdują się zapalone świece lub delikatne przedmioty.
 10. Nie należy używać urządzenia w skrajnie niskich lub wysokich temperaturach otoczenia (poniżej -5°C / 23°F lub powyżej 40°C / 104°F).
 11. Włosy, luźną odzież, palce i wszystkie części ciała należy trzymać z dala od wszelkich otworów i ruchomych części urządzenia.
 12. Nie należy używać urządzenia w pomieszczeniu, w którym śpi niemowlę lub dziecko.
 13. Nie używać urządzenia na mokrych powierzchniach ani na powierzchniach ze stojącą wodą.
 14. Przypilnować, aby urządzenie nie zbierało dużych przedmiotów, takich jak kamienie, duże kawałki papieru lub innych przedmiotów, które mogą zatkać urządzenie.
 15. Nie używać urządzenia do zbierania palnych lub łatwopalnych materiałów, takich jak benzyna, toner do drukarek lub kserokopiarek, ani też nie należy go używać w miejscach, gdzie mogą się znajdować takie materiały.
 16. Nie używać urządzenia do zbierania substancji palących się lub dymiących, takich jak papierosy, zapalki, gorący popiół lub czegokolwiek, co mogłoby spowodować pożar.
 17. Nie wkładać przedmiotów do wlotu ssącego. Nie korzystać z urządzenia, jeśli wlot ssący jest zablokowany. Nie dopuszczać do przedostania się do wlotu kurzu, włókien, włosów ani innych zanieczyszczeń, które mogłyby ograniczyć przepływ powietrza.
 18. Uważać, aby nie uszkodzić przewodu zasilającego. Nie ciągnąć i nie nosić urządzenia ani stacji dokującej, chwytając za przewód zasilający, nie używać przewodu zasilającego jako uchwytu, nie zamykać drzwi na przewodzie zasilającym, ani nie ciągnąć przewodu zasilającego wokół ostrych krawędzi lub narożników. Nie wolno przejeżdżać urządzeniem przez przewód zasilający. Przewód zasilający należy trzymać z dala od gorących powierzchni.
 19. W przypadku uszkodzenia przewodu zasilającego należy go wymienić u producenta lub przedstawiciela serwisu, aby uniknąć zagrożeń.
 20. Nie należy korzystać ze stacji dokującej, jeśli jest uszkodzona. Nie należy naprawiać zasilacza i nie wolno go używać w przypadku uszkodzenia lub







- wadliwego działania.
21. Nie należy korzystać z urządzenia z uszkodzonym przewodem zasilającym lub gniazdem. Nie należy używać urządzenia ani stacji dokującej, jeśli nie działają prawidłowo, zostały upuszczone, uszkodzone, pozostawione na zewnątrz lub zostały zalane wodą. Muszą one zostać naprawione przez producenta lub przedstawiciela serwisu w celu uniknięcia zagrożenia.
 22. Przed czyszczeniem lub konserwacją urządzenia należy ustawić wyłącznik zasilania w położeniu WYŁĄCZENIA.
 23. Przed czyszczeniem lub konserwacją stacji dokującej należy wyjąć wtyczkę z gniazda.
 24. Przed wyjęciem akumulatora w celu utylizacji urządzenia należy wyjąć urządzenie ze stacji dokującej i ustawić wyłącznik zasilania w położeniu WYŁĄCZENIA.
 25. Akumulator należy wyjąć i wyrzucić zgodnie z lokalnymi przepisami przed utylizacją urządzenia.
 26. Zużyte akumulatory należy utylizować zgodnie z lokalnymi przepisami.
 27. Nie należy spalać urządzenia, nawet jeśli jest poważnie uszkodzone. Akumulatory mogą wybuchnąć w ogniu.
 28. Jeśli stacja dokująca nie będzie używana przez dłuższy czas, należy odłączyć ją od gniazdka.
 29. Urządzenie należy użytkować zgodnie ze wskazówkami zawartymi w niniejszej instrukcji obsługi. Firma ECOVACS ROBOTICS nie ponosi odpowiedzialności za żadne szkody ani obrażenia spowodowane niewłaściwym użytkowaniem.
 30. Robot zawiera akumulatory, które mogą być wymieniane tylko przez wykwalifikowane osoby. Aby wymienić akumulator robota, należy skontaktować się z działem obsługi klienta.
 31. Jeśli robot nie będzie używany przez dłuższy czas, to na czas przechowywania należy wyłączyć go i odłączyć stację dokującą.
 32. **OSTRZEŻENIE:** Do ładowania akumulatora należy używać wyłącznie odłączanej stacji dokującej CH2128 dostarczonej z urządzeniem.

Aby spełnić wymagania dotyczące ekspozycji osób na fale radiowe, podczas pracy urządzenia muszą one zachować odległość co najmniej 20 cm od urządzenia.

Aby zapewnić zgodność z wymaganiami, nie zaleca się przebywania w odległości mniejszej od podanej powyżej od urządzenia. Antena używana w tym nadajniku nie może znajdować się razem z inną anteną lub nadajnikiem w tym samym pomieszczeniu.

Aktualizacja urządzenia

Zazwyczaj niektóre urządzenia są aktualizowane co dwa miesiące, ale nie zawsze z taką regularnością. Niektóre urządzenia, w szczególności te, które weszły do sprzedaży ponad trzy lata temu, zostaną zaktualizowane tylko w przypadku wykrycia i naprawy krytycznego zagrożenia.

	Klasa II
	Transformator izolacyjny odporny na zwarcia
	Zasilacz przełączający
	Tylko do użytku w pomieszczeniach
	Prąd stały
	Prąd przemienny

Dla krajów UE

Informacje dotyczące deklaracji zgodności UE można znaleźć na stronie <https://www.ecovacs.com/global/compliance>.

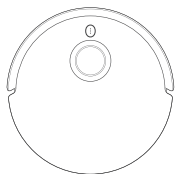


Prawidłowa utylizacja produktu

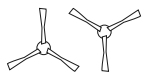
Oznaczenie to wskazuje, że w całej UE nie należy wyrzucać tego produktu razem z innymi odpadami komunalnymi. Aby zapobiec ewentualnym szkodom dla środowiska lub zdrowia ludzkiego poprzez niekontrolowane usuwanie odpadów, należy poddawać je recyklingowi w sposób odpowiedzialny. Pozwoli to zapewnić zrównoważone ponowne wykorzystanie zasobów materialnych. W celu przekazania zużytego urządzenia do recyklingu należy skorzystać z systemów zwrotu i odbioru lub skontaktować się ze sprzedawcą, u którego produkt został zakupiony. Miejsca te zadbają o prawidłowy recykling produktu.

Zdalny monitoring jest przeznaczony wyłącznie do użytku prywatnego w miejscach niepublicznych, prywatnych, tylko do własnej ochrony i z pojedynczym sterownikiem. Należy pamiętać o lokalnych obowiązkach prawnych dotyczących ochrony danych w przypadku korzystania z tego rozwiązania. Zabrania się prowadzenia monitoringu miejsc publicznych, zwłaszcza z ukrytym zamiarem i/lub przez pracodawcę, bez uzasadnienia. Takie nieuzasadnione stosowanie leży wyłącznie w zakresie ryzyka i odpowiedzialności użytkownika.

Zawartość opakowania



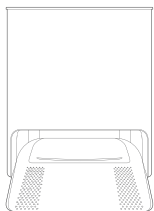
Robot



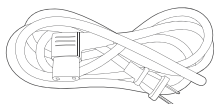
Podwójne
szczotki boczne



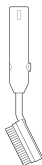
Zmywalne nakładki do
mopowania



Stacja dokująca



Przewód zasilający



Szczotka czyszcząca



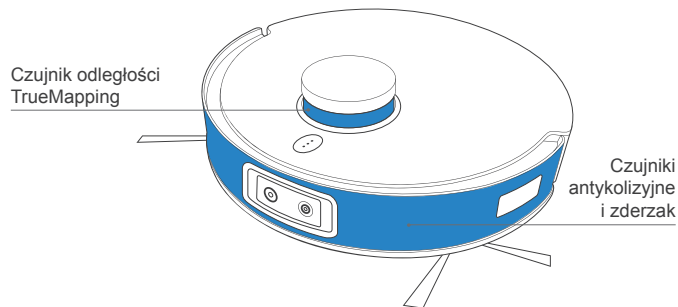
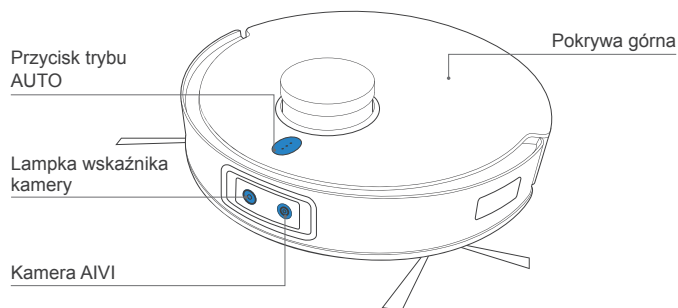
Instrukcja obsługi



Wielofunkcyjne
narzędzie czyszczące

Schemat produktu

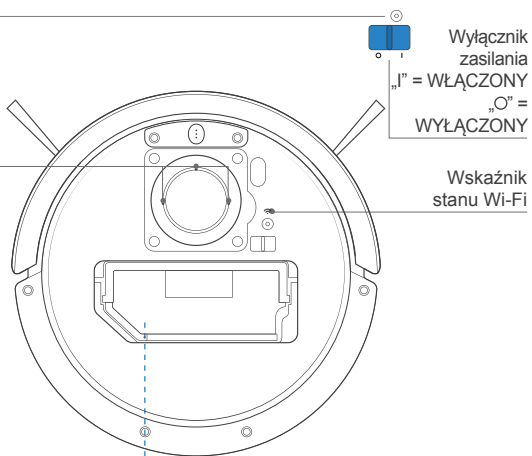
Robot



Uwaga: Rysunki i ilustracje mają charakter wyłącznie informacyjny i mogą różnić się od rzeczywistego wyglądu produktu. Projekt i dane techniczne produktu mogą ulec zmianie bez powiadomienia.

Przycisk RESET

Mikrofon



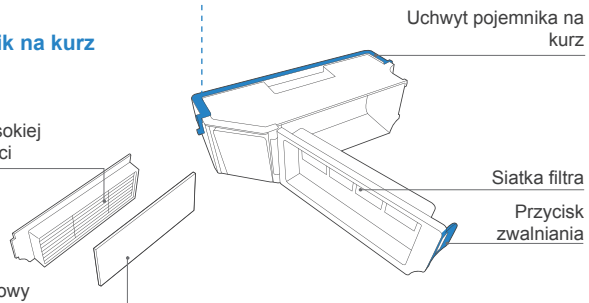
Wyłącznik zasilania
"I" = WŁĄCZONY
"O" = WYŁĄCZONY

Wskaźnik stanu Wi-Fi

Pojemnik na kurz

Filtr o wysokiej sprawności

Filtr gąbkowy



Uchwyt pojemnika na kurz

Siatka filtra

Przycisk zwalniania

Widok od dołu

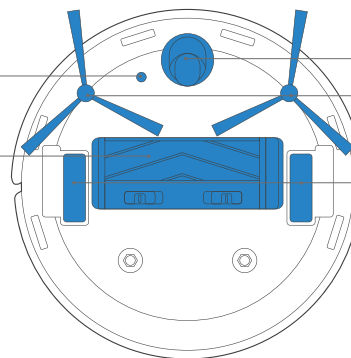
Czujnik dywanów

Szczotka główna

Kółko uniwersalne

Szczotki boczne

Kółka jezdne

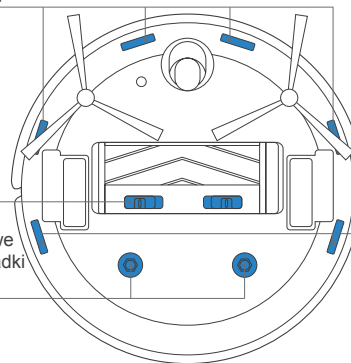


Czujniki przeciwupadkowe

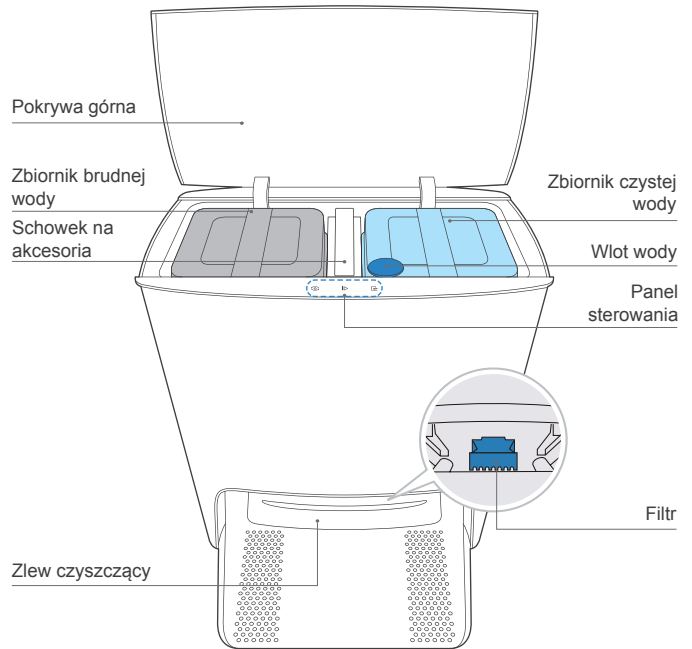
Przycisk zwalniania szczotki głównej

Otwory montażowe do montażu nakładki do mopowania

Czujniki przeciwupadkowe



Stacja dokująca



Przyciski panelu sterowania

Przycisk samoczyszczenia

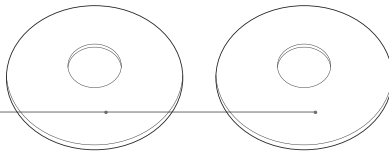
Przycisk Start/Pauza

Przycisk Przywołaj/
Wyjdź

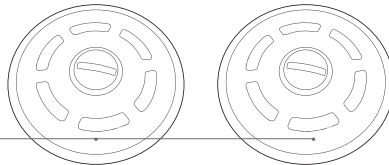
Styki ładowania

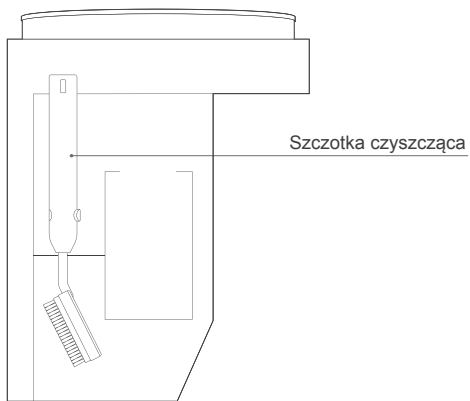
Zespół nakładki do mopowania

Zmywalne nakładki do mopowania

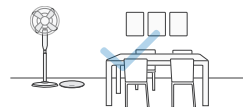


Płytki na nakładkę do mopowania





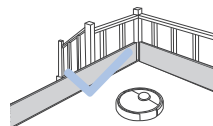
Uwagi przed sprzątaniem



Uporządkować obszar do sprzątania, umieszczając meble (np. krzesła) w ich właściwym miejscu.



Podczas pierwszego użycia sprawdzić, czy wszystkie drzwi do pomieszczeń są otwarte, aby pomóc urządzeniu DEEBOT w pełni odkryć sprzątany dom.



Może okazać się konieczne umieszczenie fizycznej bariery na krawędzi spadku, aby zapobiec upadkowi urządzenia.



Upewnić się, że miejsca do czyszczenia są dobrze oświetlone, tak aby kamera AIVI działała prawidłowo. Usunąć z podłogi przewody zasilające i małe przedmioty, aby zapewnić skuteczne sprzątnięcie.



Aby poprawić skuteczność sprzątania, należy zebrać z podłogi przedmioty, takie jak kable, szmatki i kaptcie.



Kamerę AIVI i czujnik odległości TrueMapping należy czyścić czystą szmatką i unikać stosowania detergentów lub środków czyszczących w sprayu.



Przed użyciem produktu na dywanie z frędzlami należy schować frędzle pod dywanem.



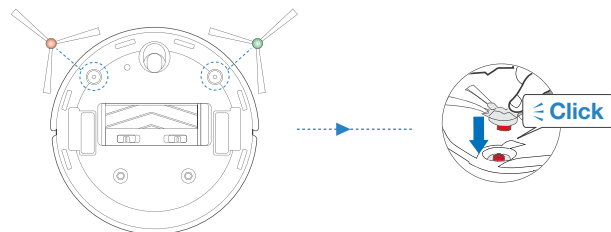
Nie należy stać w wąskich przestrzeniach, na przykład w przedpokoju. Trzeba natomiast zadbać o to, aby nie zasłaniać kamery AIVI.

Szybkie uruchamianie

Przed użyciem funkcji DEEBOT należy usunąć wszystkie folie ochronne lub paski ochronne z urządzenia DEEBOT i stacji dokującej.

Montaż szczotki bocznej

Upewnij się, że kolor szczotki bocznej jest zgodny z kolorem gniazda montażowego.



Aplikacja ECOVACS HOME

Aby można było korzystać ze wszystkich dostępnych funkcji, zaleca się sterowanie urządzeniem DEEBOT za pomocą aplikacji ECOVACS HOME.

Przed rozpoczęciem należy sprawdzić, czy:

- Posiadany telefon komórkowy jest połączony z siecią Wi-Fi.
- Sygnał pasma łączności bezprzewodowej 2,4 GHz lub 2,4/5 GHz jest włączony w routerze.
- Wskaźnik Wi-Fi na urządzeniu DEEBOT miga powoli.



Wskaźnik Wi-Fi

	Miga powoli	Brak połączenia lub oczekiwanie na połączenie z siecią Wi-Fi
	Miga szybko	Łączenie z siecią Wi-Fi
	Świeci nieprzerwanie	Połączony z siecią Wi-Fi

Łączność Wi-Fi

Przed skonfigurowaniem sieci Wi-Fi należy sprawdzić, czy DEEBOT, telefon komórkowy i sieć Wi-Fi spełniają następujące wymagania.

Wymagania dotyczące urządzenia DEEBOT i telefonu komórkowego

- DEEBOT jest w pełni naładowany i wyłącznik zasilania urządzenia DEEBOT jest ustawiony w położeniu włączenia.
- Wskaźnik stanu Wi-Fi miga powoli.
- Wyłączyć w telefonie mobilną transmisję danych (można ją włączyć ponownie po zakończeniu konfiguracji).

Wymagania dotyczące sieci Wi-Fi

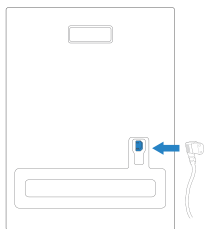
- Korzystać z sieci 2,4 GHz lub sieci mieszanej 2,4/5 GHz.
- Korzystać z routera obsługującego protokoły 802.11b/g/n i IPv4.
- Nie używać VPN (Virtual Private Network) ani serwera proxy.
- Nie używać sieci ukrytej.
- Stosować standardy zabezpieczenia dostępu WPA i WPA2 przy użyciu szyfrowania TKIP, PSK, AES/CCMP.
- Protokół WEP EAP (Enterprise Authentication Protocol) nie jest obsługiwany.
- Używać kanałów 1–11 Wi-Fi w Ameryce Północnej i kanałów 1–13 poza Ameryką Północną (patrz lokalna agencja regulacyjna).
- W przypadku korzystania ze wzmacniacza sieci, nazwa sieci (SSID) i hasło są takie same jak w sieci podstawowej.

Po nawiązaniu połączenia Wi-Fi DEEBOT przejdzie w sieciowy tryb gotowości, jeśli nie wykryje sygnału wejściowego w ciągu 10 minut.

Należy pamiętać, że korzystanie z inteligentnych funkcji, takich jak zdalne uruchamianie, interakcje głosowe, wyświetlanie map 2D/3D i ustawienia sterowania, a także spersonalizowane czyszczenie (w zależności od różnych produktów) wymagają od użytkowników pobierania stale aktualizowanej aplikacji ECOVACS HOME, a także korzystania z niej. Przed przetworzeniem przez nas niektórych podstawowych i niezbędnych informacji i udostępnieniem obsługi produktu za pośrednictwem aplikacji ECOVACS HOME należy zaakceptować naszą politykę prywatności i umowę użytkownika. Jeśli użytkownik nie zgadza się z naszą polityką prywatności i umową użytkownika, niektóre z wyżej wymienionych funkcji inteligentnych nie mogą być realizowane za pośrednictwem aplikacji ECOVACS HOME, ale nadal można korzystać z podstawowych funkcji tego produktu poprzez ręczną obsługę.

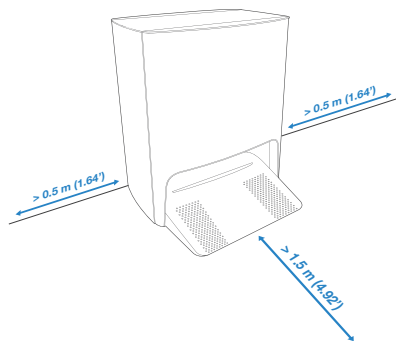
Ładowanie urządzenia DEEBOT

1 Zamontować stację dokującą



2 Umieszczenie stacji dokującej

Obszar wokół stacji należy utrzymywać z dala od obiektów i powierzchni odbijających światło.

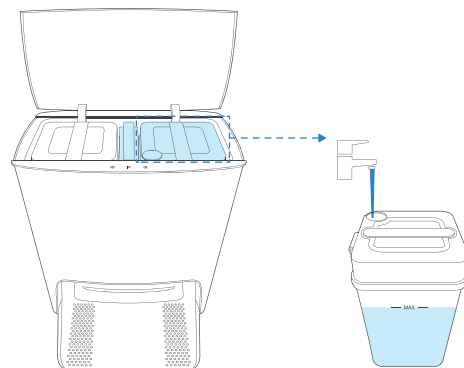


* Jeśli w pobliżu stacji znajdują się obiekty odbijające światło, takie jak lustra i odbłaskowe listwy przypodłogowe, należy zakryć dolną część tego obiektu na długość 14 cm.

Nie należy umieszczać stacji w miejscu narażonym na bezpośrednie działanie promieni słonecznych.

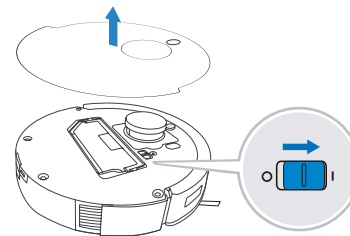
Zaleca się ustawienie stacji na twardym podłożu, aby uzyskać pełną funkcjonalność robota.

3 Dodaj wodę do zbiornika czystej wody



Uwaga: Zaleca się stosowanie środka czyszczącego ECOVACS DEEBOT (sprzedawany osobno). Użycie innego środka czyszczącego może spowodować problemy, takie jak poślizgnięcie się urządzenia DEEBOT lub zablokowanie zbiornika wody.

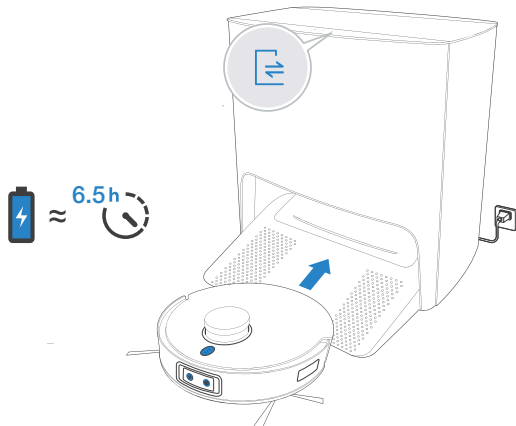
4 Włączyć zasilanie



Uwaga: I = WŁ., O = WYŁ.

Nie można naładować urządzenia DEEBOT z wyłączonym zasilaniem.

5 Naładować urządzenie DEEBOT





Zaleca się, aby urządzenie DEEBOT rozpoczynało sprzątanie ze stacji. Nie należy przenosić stacji podczas sprzątania.

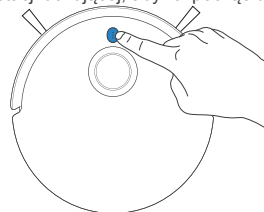
Obsługa urządzenia DEEBOT

Podczas pierwszego tworzenia mapy należy śledzić ruch urządzenia DEEBOT, zwracając uwagę na drobne problemy, jakie mogą wystąpić. Na przykład, DEEBOT może utknąć pod niskimi meblami. Możliwe są następujące rozwiązania:

- 1 Podnieść meble, na ile to możliwe.
- 2 Zakryć dolną część mebli.
- 3 Ustawić wirtualną granicę za pomocą aplikacji.

1 Start

Dotknąć przycisku  na urządzeniu DEEBOT lub przycisku  na stacji dokującej, aby rozpocząć działanie.

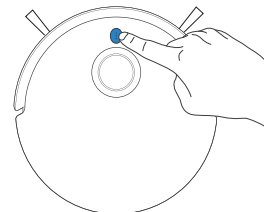


Uwaga:

1. Przed pierwszym sprzątniem należy upewnić się, że DEEBOT jest w pełni naładowany.
2. Nie zaleca się montowania płytek na nakładki do mopowania podczas pierwszego sprzątania.

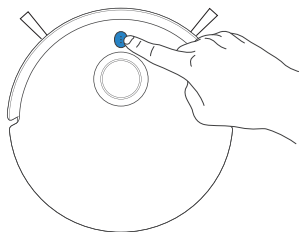
2 Pauza

Dotknąć przycisku  na urządzeniu DEEBOT lub dotknąć przycisku  na stacji dokującej, aby wstrzymać działanie.



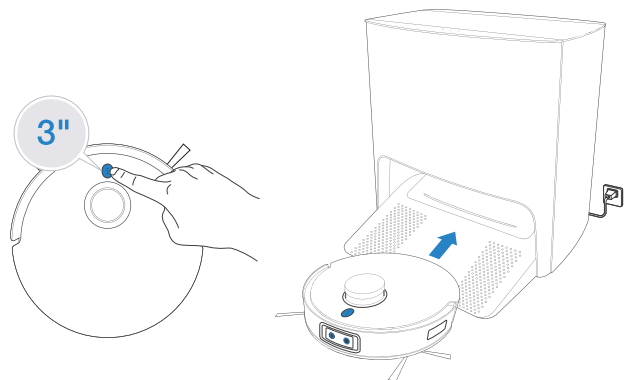
3 Aktywacja

Kontrolka zgaśnie po kilkuminutowym wstrzymaniu pracy robota. Dotknąć przycisku ⓘ na urządzeniu DEEBOT, aby aktywować robota.



4 Powrót do stacji

Dotknięcie przycisku ⓘ i przytrzymanie go przez 3 sekundy spowoduje przywołanie urządzenia DEEBOT z powrotem do stacji dokującej.

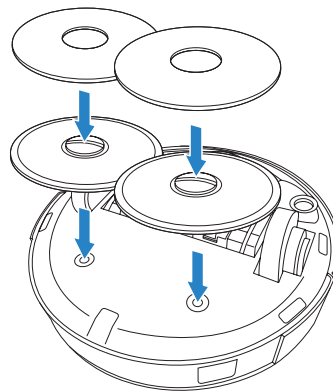


Uwaga: W czasie gdy urządzenie DEEBOT nie pracuje, zaleca się, aby pozostało włączone i ładowało akumulator.



Mopowanie

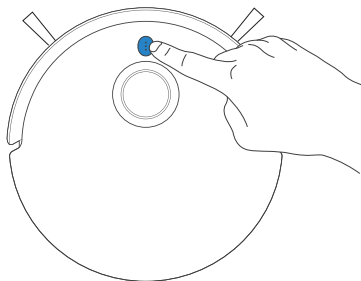
Nie używać funkcji mopowania na dywanie.

- 1 Załóż nakładki do mopowania i płytki na nakładki do mopowania.



2 Mopowanie

Dotknąć przycisku  na urządzeniu DEEBOT lub przycisku  na stacji dokującej, aby rozpocząć mopowanie.



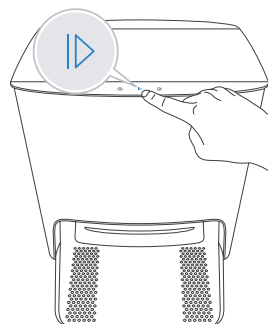
Uwaga:

1. Nie należy zbyt często zdejmować nakładek do mopowania, które można wyprać.
2. Nie wolno używać szmatki ani żadnych innych przedmiotów, które mogą zadrapać powierzchnię płytek na nakładki do mopowania.
3. Gdy aplikacja ECOVACS HOME wyświetli komunikat o konieczności wymiany nakładek do mopowania, należy wymienić je bez zwłoki.

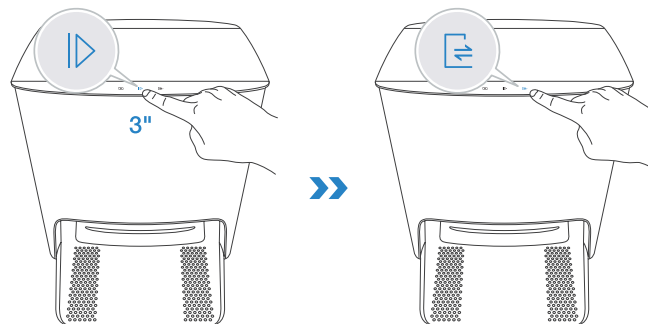
Więcej akcesoriów można znaleźć w aplikacji ECOVACS HOME lub na stronie <https://www.ecovacs.com/global>.

Stacja dokująca

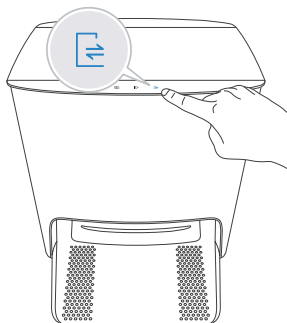
1 Start/Pauza urządzenia DEEBOT



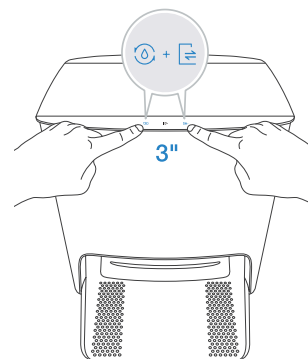
2 Przywołaj urządzenie DEEBOT



- 3** Skieruj urządzenie DEEBOT bezpośrednio do stacji dokującej



- 4** Zabezpieczenie przed dziećmi włączone/wyłączone



Po włączeniu zabezpieczenia przed dziećmi przyciski dotykowe na urządzeniu DEEBOT i stacji czyszczącej zostaną zablokowane w celu zapewnienia bezpieczeństwa. Aby wyłączyć zabezpieczenie przed dziećmi, należy powtórzyć tę samą czynność.

Regularna konserwacja

Aby zapewnić maksymalną wydajność urządzenia DEEBOT, należy wykonywać czynności konserwacyjne i wymieniać części z następującą częstotliwością:

Część robota	Częstotliwość konserwacji	Częstotliwość wymiany
Zmywalna nakładka do mopowania	/	Co 1–2 mies.
Szczotka boczna	Raz na 2 tygodnie	Co 3–6 mies.
Szczotka główna	Raz w tygodniu	Co 6–12 mies.
Filtr gąbkowy / filtr o wysokiej wydajności	Raz w tygodniu	Co 3–6 mies.
Kamera AIVI Czujnik odległości TrueMapping Kółko uniwersalne Czujniki przeciwupadkowe Zderzak Styki ładowania Styki stacji dokującej	Raz w tygodniu	/
Zlew czyszczący	Raz na 2 tygodnie	/
Zbiornik czystej wody	Co 3 miesiące	/
Zbiornik brudnej wody	Po każdym mopowaniu	/
Stacja dokująca	Raz w miesiącu	/
Filtr	Raz w miesiącu	/

Przed przystąpieniem do czyszczenia i konserwacji urządzenia DEEBOT należy wyłączyć robota i odłączyć stację dokującą od zasilania.

Wielofunkcyjne narzędzie czyszczące jest dostarczane w celu ułatwienia konserwacji. Zachować ostrożność podczas używania ze względu na ostre krawędzie narzędzia.

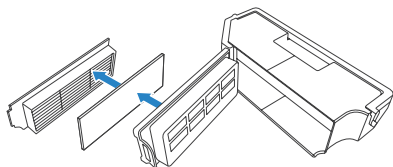
Uwaga: Firma ECOVACS produkuje różne części zamienne i złączki. Aby uzyskać więcej informacji na temat części zamiennych, należy skontaktować się z działem obsługi klienta.

Czyszczenie kosza na odpady

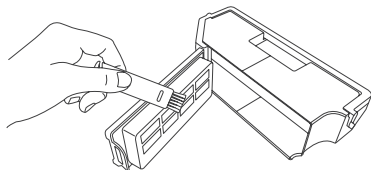
1



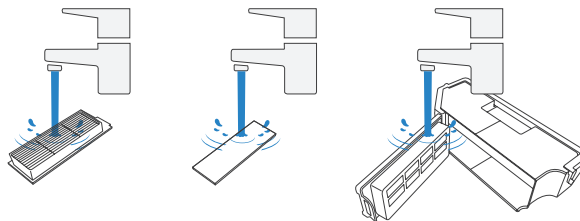
2



3



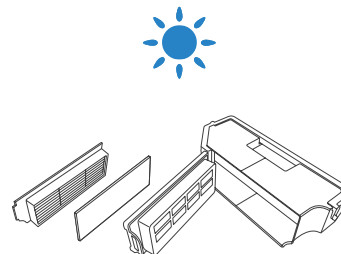
4



Uwaga:

1. Przeplukać filtr wodą w sposób pokazany powyżej.
2. Do czyszczenia filtra o wysokiej wydajności nie należy używać palców ani szczotki.

5

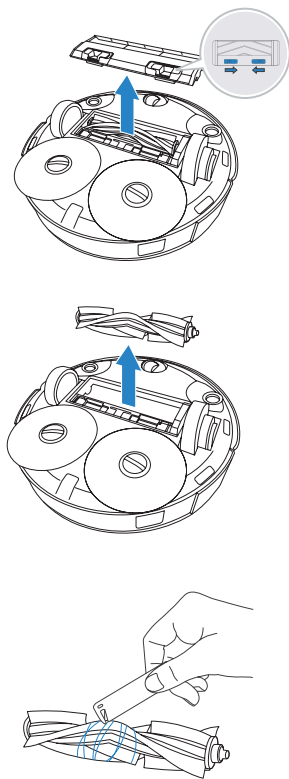


Uwaga:

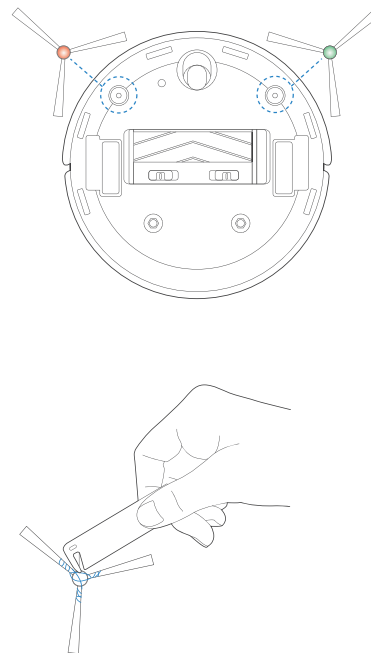
Przed użyciem dokładnie osuszyć filtr.
Więcej akcesoriów można znaleźć w aplikacji ECOVACS HOME lub na stronie <https://www.ecovacs.com/global>.

Czyszczenie szczotki głównej i szczotek bocznych

Szczotka główna

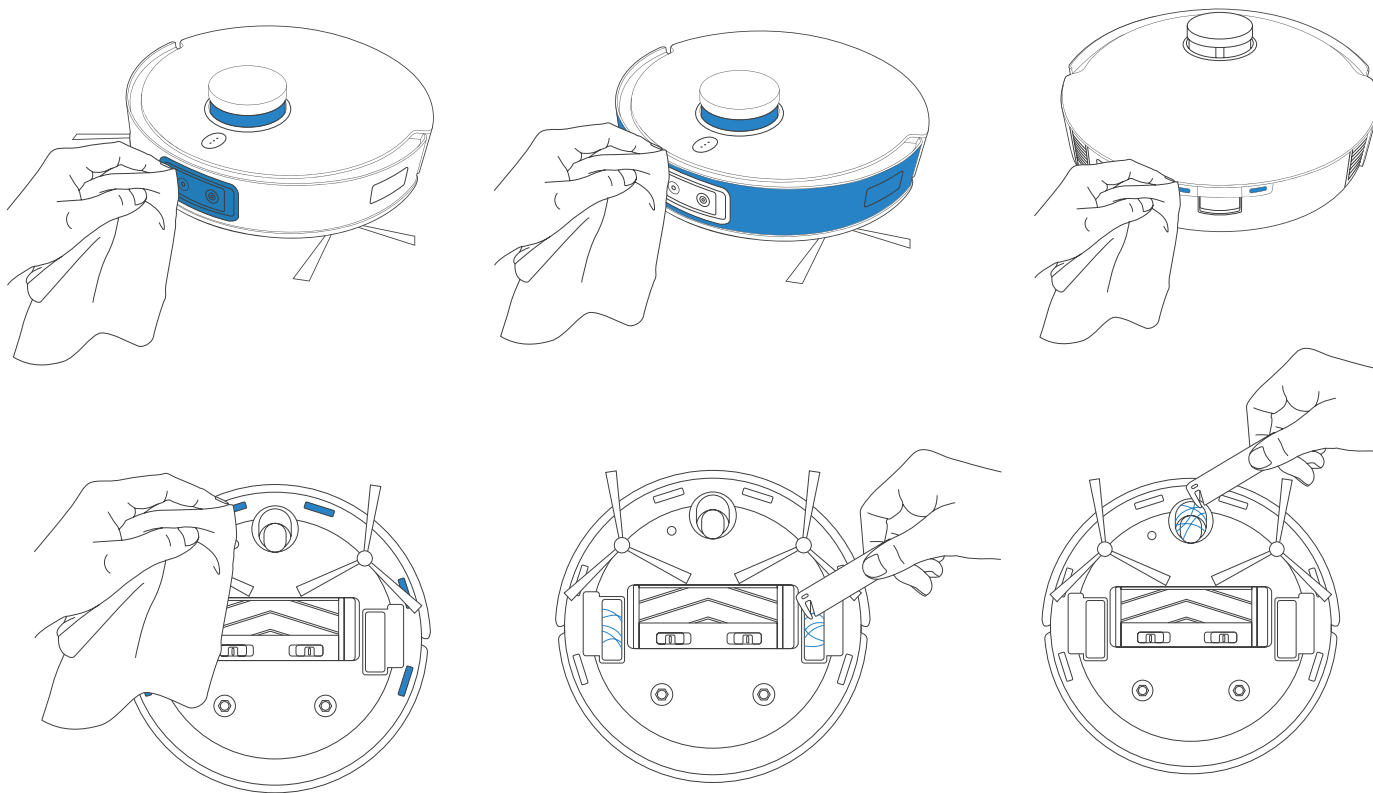


Szczotki boczne



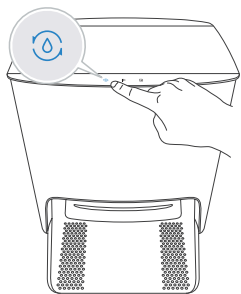
Zachować inne podzespoły

Uwaga: Podzespoły należy wycierać czystą, suchą szmatką. Należy unikać stosowania środków czyszczących w aerozolu lub detergentów.

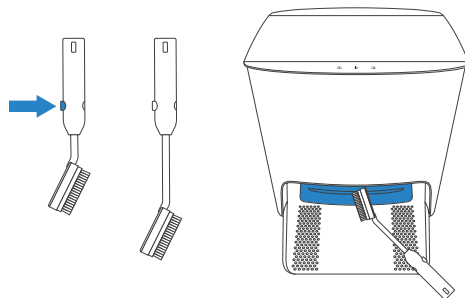


Czyszczenie stacji dokującej

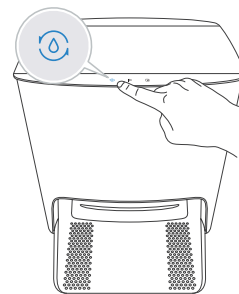
1 Dodaj wodę do zlewu czyszczącego



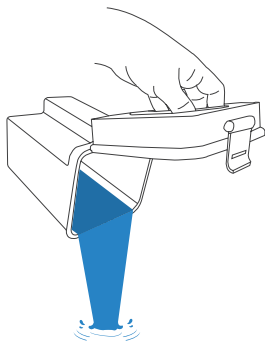
2 Wyczyść zlew czyszczący



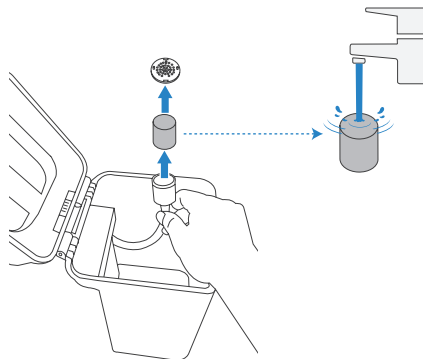
3 Spuść wodę ze zlewu czyszczącego



4 Opróżnij zbiornik brudnej wody

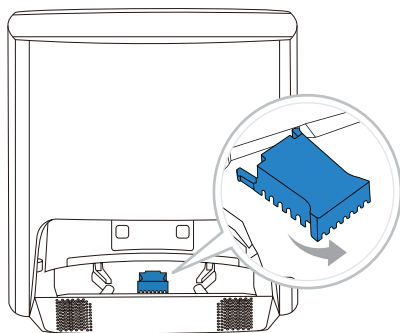


5 Wyczyść filtr zbiornika czystej wody

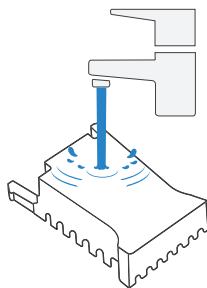


Czyszczenie filtra

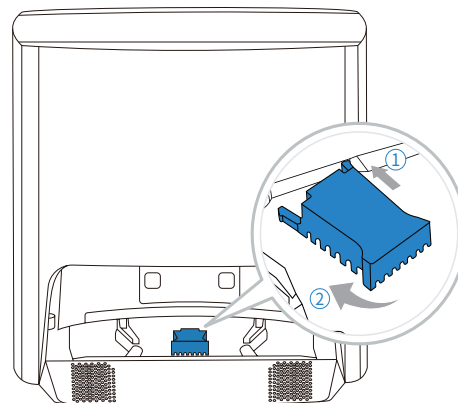
1 Wymij filtr



2 Umyj filtr



3 Włóż filtr






Rozwiązywanie problemów

Numer	Usterka	Możliwe przyczyny	Rozwiązania
1	DEEBOT nie może połączyć się z aplikacją ECOVACS HOME.	Wprowadzono nieprawidłową nazwę użytkownika lub hasło domowej sieci Wi-Fi.	Wprowadzić prawidłową nazwę użytkownika i hasło domowej sieci Wi-Fi.
		DEEBOT nie znajduje się w zasięgu domowego sygnału Wi-Fi.	Sprawdzić, czy DEEBOT znajduje się w zasięgu domowego sygnału Wi-Fi.
		Funkcja DEEBOT nie została skonfigurowana.	Upewnić się, że urządzenie DEEBOT jest podłączone do zasilania i włączone. Otworzyć pokrywę i nacisnąć przycisk RESET. Po usłyszeniu komunikatu głosowego DEEBOT przejść w stan konfiguracji.
		Zainstalowano nieprawidłową aplikację.	Pobrać i zainstalować aplikację ECOVACS HOME.
		Brak korzystania z sieci 2,4 GHz lub sieci mieszanej 2,4/5 GHz.	DEEBOT nie obsługuje sieci 5G. Skorzystać z sieci 2,4 GHz lub sieci mieszanej 2,4/5 GHz.
2	Utracono mapę.	Do utraty mapy mogło dojść wskutek poruszenia urządzenia DEEBOT podczas jego pracy.	Aby odzyskać mapę, należy ustawić urządzenie DEEBOT z przodu stacji. Następnie wyszukać utraconą mapę w oknie Zarządzanie mapą i dotknąć opcji „Użyj tej mapy”, aby ją przywrócić. Jeśli po wypróbowaniu powyższych rozwiązań problem nie ustąpił, przeprowadzić ponowne mapowanie.
3	Nie można utworzyć mapy mebli w aplikacji.	DEEBOT nie rozpocznie sprzątania ze stacji.	DEEBOT musi rozpocząć sprzątanie ze stacji.
		Przeniesienie urządzenia DEEBOT podczas sprzątania może spowodować zgubienie mopa.	Podczas sprzątania, o ile to możliwe, nie należy przenosić urządzenia DEEBOT.
		Automatyczne sprzątanie nie zostało zakończone.	Upewnić się, że po sprzątaniu urządzenie DEEBOT automatycznie powróci do stacji.
4	Szczotki boczne urządzenia DEEBOT wypadają z miejsca podczas użytkowania.	Szczotki boczne nie są prawidłowo zamontowane.	Podczas montażu sprawdzić, czy szczotki boczne zatrasnęły się na swoim miejscu.

Numer	Usterka	Możliwe przyczyny	Rozwiązania
5	Nie znaleziono sygnału. Nie można powrócić do stacji.	Stacja jest nieprawidłowo umieszczona.	Stację należy umieścić zgodnie z instrukcjami zawartymi w sekcji [Ładowanie urządzenia DEEBOT].
		Brak zasilania stacji lub została ona przeniesiona ręcznie.	Sprawdzić, czy stacja jest podłączona do źródła zasilania. Nie należy ręcznie przenosić stacji.
		DEEBOT nie rozpocznie sprzątania ze stacji.	Zaleca się, aby urządzenie DEEBOT rozpoczynało sprzątanie ze stacji.
		Droga ładowania jest zablokowana. Na przykład zamknięte są drzwi pomieszczenia, w którym stoi stacja.	Usunąć wszelkie przeszkody z drogi ładowania.
6	DEEBOT powraca do stacji przed zakończeniem sprzątania.	Pomieszczenie jest tak duże, że urządzenie DEEBOT musi powracać do stacji w celu ładowania.	Włączyć czyszczenie ciągle. Aby uzyskać więcej informacji, postępować zgodnie z instrukcjami podanymi w aplikacji.
		DEEBOT nie jest w stanie dotrzeć do niektórych obszarów zablokowanych przez meble lub inne przeszkody.	Uporządkować obszar przeznaczony do sprzątania, umieszczając meble i inne przedmioty w ich właściwym miejscu.
7	Nie można naładować DEEBOT.	DEEBOT nie jest włączony.	Włączyć urządzenie DEEBOT.
		Styki ładowania urządzenia DEEBOT nie są podłączone do styków stacji.	Upewnić się, że styki ładowania robota są podłączone do styków stacji, a przycisk ⓘ miga. Sprawdzić, czy styki ładowania urządzenia DEEBOT i stacji nie są zabrudzone. Części te należy czyścić zgodnie z instrukcjami zawartymi w części [Konserwacja].
		Stacja nie jest podłączona do źródła zasilania.	Sprawdzić, czy stacja czyszcząca jest podłączona do zasilania.
		Akumulator zostanie przeładowany, jeśli DEEBOT nie będzie używany przez dłuższy czas.	Zalecane jest regularne korzystanie z urządzenia DEEBOT. Jeśli nie można naładować akumulatora, ponieważ nie był on używany przez dłuższy czas, należy skontaktować się z działem obsługi klienta w celu uzyskania pomocy.
8	Podczas sprzątania urządzenie pracuje bardzo głośno.	Szczotki boczne i szczotka główna są splecione. Pojemnik na kurz i filtr są zablokowane.	Zalecane jest regularne czyszczenie szczotek bocznych, szczotki głównej, kosza na odpady, filtra itd.
		DEEBOT pracuje w trybie Max.	Przełączyć na tryb standardowy.
9	DEEBOT napotkał przeszkodę podczas pracy i zatrzymał się.	DEEBOT zaplątał się w coś na podłodze (przewody elektryczne, zasłony, frędzle dywanu itp.).	DEEBOT próbuje różnych sposobów uwolnienia się. W przypadku niepowodzenia należy ręcznie usunąć przeszkody i ponownie uruchomić robota.
		DEEBOT może utknąć pod meblami o wysokości zbliżonej do wysokości robota.	Ustawić fizyczną barierę lub wytyczyć wirtualną granicę w aplikacji ECOVACS HOME.

Numer	Usterka	Możliwe przyczyny	Rozwiązania
10	Podczas sprzątania DEEBOT porusza się poza wyznaczoną trasą, przemieszcza się niezgodnie z nią, powtarza sekwencje sprzątania, omija niewielkie powierzchnie wymagające sprzątania itd. (W przypadku dużej powierzchni, która została tymczasowo nieodkurzona, DEEBOT samodzielnie dokończy sprzątanie ominiętego miejsca. W niektórych przypadkach DEEBOT ponownie wjedzie do posprzątanego pomieszczenia, aby znaleźć pominięte miejsca).	Obiekty takie jak przewody i kapcie pozostawione na ziemi mają wpływ na normalne działanie urządzenia DEEBOT.	Przed przystąpieniem do sprzątania należy uprzątnąć przewody, kapcie i inne przedmioty rozrzucone na ziemi. Należy również zadbać o to, aby liczba przedmiotów pozostawionych na ziemi była jak najmniejsza. W przypadku pominiętej powierzchni DEEBOT sam skoryguje działanie i dokończy sprzątanie w ominiętym miejscu. W takich przypadkach nie należy ingerować w pracę urządzenia (na przykład przenosząc go lub blokując trasę).
		Może się zdarzyć, że koła napędowe będą ślizgać się po podłożu w trakcie pokonywania przez urządzenie DEEBOT stopni, progów i listew progowych, co wpływa na ocenę warunków pracy urządzenia w całym domu.	Zaleca się zamknięcie drzwi w takim obszarze i sprzątnięcie go w oddzielnym etapie. Po zakończeniu czyszczenia DEEBOT powróci do pozycji początkowej. Zapewniamy, że z urządzenia można korzystać.
		Pracować na świeżo woskowanych i wypolerowanych podłogach lub gładkich kafelkach, co zmniejsza tarcie między kołami napędowymi a podłożem.	Przed przystąpieniem do sprzątania poczekać, aż wosk wyschnie.
		Ze względu na różne warunki domowe niektórych obszarów nie można sprzątać.	Uprzątnąć przestrzeń w domu, aby mieć pewność, że DEEBOT będzie mógł się do niej dostać.
		Czujnik odległości TrueMapping jest zabrudzony lub zablokowany przez ciała obce.	Wytrzeć czujnik odległości TrueMapping czystą, miękką szmatką lub usunąć ciała obce.
11	Program Video Manager nie może otworzyć ekranu lub stwierdza jego brak.	Połączenie z siecią Wi-Fi nie powiodło się.	Sprawdzić stan połączenia Wi-Fi. Aby włączyć program Video Manager, DEEBOT musi znajdować się w obszarze z dobrym sygnałem Wi-Fi.
		Menedżer wideo nie jest autoryzowany.	Przed rozpoczęciem użytkowania robota należy wyrazić zgodę na naszą politykę prywatności.
		Z powodu opóźnienia w sieci może nie być możliwe tymczasowe otwarcie programu Video Manager.	Spróbować ponownie później.
		Kamera AIvI jest zablokowana.	Wymontować osłonę.
12	Opóźnienie w zdalnym sterowaniu.	Sygnał sieci Wi-Fi jest słaby, co powoduje powolne wczytywanie filmu.	Korzystać z funkcji DEEBOT w obszarach, na których są dobre sygnały Wi-Fi.

Numer	Usterka	Możliwe przyczyny	Rozwiązania
13	Kamera AIVI nie rozpoznaje obiektów.	Obszar sprzątnięcia nie jest dobrze oświetlony.	Inteligentne rozpoznawanie wymaga odpowiedniego oświetlenia. Upewnić się, że obszary, które mają zostać sprzątnięte, są dobrze oświetlone.
		Obiektów kamery AIVI jest brudny lub zablokowany.	Wyczyścić obiektów czystą, miękką ściereczką i sprawdzić, czy czujnik nie został zablokowany. Podczas sprzątnięcia nie należy używać detergentów ani sprayu do czyszczenia.
14	Płytkę na nakładkę do mopowania nie obraca się.	Płytkę na nakładkę do mopowania jest zablokowana przez ciała obce.	Usunąć ciała obce.
15	DEEBOT nie odpowiada na instrukcje stacji.	DEEBOT znajduje się zbyt daleko od stacji.	Jeśli odległość wykracza poza dostępną odległość, aplikacja ECOVACS HOME może być również używana do obsługi funkcji DEEBOT.
		DEEBOT i stacja nie są sparowane.	Odłączyć stację od zasilania i poczekać 10 sekund, a następnie podłączyć ją ponownie. Wyłączyć robota, a następnie włączyć go ponownie. Ręcznie popchnij odkurzacz automatyczny do stacji i upewnij się, że styki ładowania są prawidłowo podłączone. Następnie rozpocznij się ładowanie pamięci DEEBOT, a sparowanie poleceń głosowych zakończy się pomyślnie.
16	Nie można włączyć zabezpieczenia przed dziećmi.	Utrata komunikacji między stacją a urządzeniem DEEBOT (na przykład wskutek dużej odległości lub wielu ścian działowych między nimi).	Przenieść urządzenie DEEBOT w pobliże stacji, aby zapewnić skuteczną komunikację, a następnie włączyć zabezpieczenie przed dziećmi.
17	Koła napędowe są zablokowane.	Koła napędowe są zablokowane przez ciała obce.	Obrócić i nacisnąć koła napędowe, aby sprawdzić, czy nie ma owiniętych lub zablokowanych ciał obcych. W przypadku obecności obcych przedmiotów należy je usunąć na czas. Jeśli problem będzie się powtarzał, skontaktować się z działem obsługi klienta, aby uzyskać pomoc.

Numer	Usterka	Możliwe przyczyny	Rozwiązania
18	Zlew czyszczący jest pełen wody, której nie można odprowadzić, a równocześnie pojawia się raport głosowy informujący o zapelnieniu zlewu czyszczącego.	Zbiornik brudnej wody został nieprawidłowo zainstalowany.	Docisnąć zbiornik brudnej wody, upewniając się, że jest prawidłowo zainstalowany.
		Korki uszczelniające zbiornika brudnej wody zostały nieprawidłowo zainstalowane.	Sprawdzić, czy korki uszczelniające są prawidłowo zainstalowane.
		Stacja nie może normalnie odprowadzić wody.	Dotknąć dwukrotnie przycisku  , aby sprawdzić, czy stacja może prawidłowo pobierać wodę. Jeśli problem wystąpi podczas procesu czyszczenia nakładek do mopowania, nacisnąć i przytrzymać przycisk  , aby zakończyć zadanie, a następnie dotknąć dwukrotnie przycisku  , aby sprawdzić, czy stacja może prawidłowo pobierać wodę. W przypadku pomyślnego pobrania wody wytrzeć do sucha czujnik nadmiarowy wody w zlewie czyszczącym. Jeśli stacja nie pobiera wody, sprawdzić, czy między zbiornikiem brudnej wody a stacją nie ma ciał obcych i usunąć je.
		Otwór ssawny zlewu czyszczącego jest zablokowany przez ciało obce.	Upewnić się, że w otworze ssawnym zlewu czyszczącego nie ma żadnych obcych przedmiotów.
		Komunikat głosowy nadal sygnalizuje problem po wypróbowaniu powyższych rozwiązań.	Odłączyć stację od zasilania i podłączyć ją ponownie. Jeśli problem nie ustąpił, skontaktować się z działem obsługi klienta, aby uzyskać pomoc.

Dane techniczne

Model	DBX23
Znamionowe napięcie wejściowe	20 V $\overline{=}$ 2 A
Model stacji dokującej	CH2128
Znamionowe napięcie wejściowe (ładowanie)	220–240 V \sim 50–60 Hz 0,3 A
Moc (suszenie)	100 W
Znamionowe napięcie wyjściowe	20 V $\overline{=}$ 2 A
Pasma częstotliwości	2400–2483,5 MHz
Zasilanie sieciowe w trybie gotowości	Poniżej 2,00 W

Moc wyjściowa modułu Wi-Fi wynosi poniżej 100 mW.

Uwaga: Specyfikacje techniczne i projektowe mogą ulec zmianie ze względu na ciągłe doskonalenie produktu.

Więcej akcesoriów można znaleźć na stronie <https://www.ecovacs.com/global>.

Belangrijke veiligheidsinstructies

BELANGRIJKE VEILIGHEIDSINSTRUCTIES

Als u een elektrisch apparaat gebruikt, moet u altijd een aantal algemene voorzorgsmaatregelen in acht nemen, waaronder de volgende:

LEES ALLE INSTRUCTIES VOORDAT U DIT APPARAAT GEBRUIKT BEWAAR DEZE INSTRUCTIES

1. Dit apparaat kan worden gebruikt door kinderen van acht jaar en ouder en door personen met beperkte fysieke of mentale capaciteiten, een beperkt gehoor of zicht of gebrek aan ervaring en kennis, als ze onder toezicht staan of instructies hebben gekregen met betrekking tot veilig gebruik van het apparaat en ze op de hoogte zijn van de gevaren die het gebruik met zich meebrengt. Kinderen mogen niet met het apparaat spelen. Kinderen mogen het apparaat niet zonder toezicht schoonmaken of onderhouden.
2. Haal alle obstakels weg uit het schoon te maken gebied. Verwijder snoeren en kleine hindernissen waarin het apparaat verstrikt kan raken van de vloer. Stop franjes van vloerkleden onder het kleed en til stoffering zoals gordijnen en tafelkleden van de vloer.
3. Als er in de schoon te maken ruimte een plek is waar het apparaat vanaf kan vallen, zoals een traprede, moet u het apparaat zodanig instellen dat het apparaat deze trede detecteert en niet over de rand valt. Het is misschien nodig om een fysieke barrière bij de rand te plaatsen zodat het apparaat niet valt. Zorg ervoor dat de fysieke barrière geen struikelgevaar oplevert.
4. Gebruik het apparaat uitsluitend zoals is beschreven in de handleiding. Gebruik alleen hulpstukken die door de fabrikant worden aanbevolen of verkocht.
5. Zorg dat de voedingsspanning gelijk is aan de spanning die op het schoonmaakstation staat aangegeven.
6. **ALLEEN** voor huishoudelijk gebruik **BINNENSHUIS**. Gebruik het apparaat niet buitenshuis of in zakelijke of industriële omgevingen.
7. Gebruik alleen de originele oplaadbare accu en het schoonmaakstation van de fabrikant die bij het apparaat zijn geleverd. Niet-oplaadbare

- accu's zijn verboden.
8. Gebruik het apparaat niet zonder de stofhouder en/of filters.
 9. Gebruik het apparaat niet in een ruimte met brandende kaarsen of waar breekbare voorwerpen staan.
 10. Gebruik het apparaat niet in extreem warme of koude omgevingen (onder $-5^{\circ}\text{C}/23^{\circ}\text{F}$ of boven $40^{\circ}\text{C}/104^{\circ}\text{F}$).
 11. Houd haar, losse kleding, vingers en andere lichaamsdelen uit de buurt van openingen en bewegende onderdelen.
 12. Gebruik het apparaat niet in een ruimte waar een baby of kind ligt te slapen.
 13. Gebruik het apparaat niet op natte oppervlakken of oppervlakken waar water op staat.
 14. Let erop dat het apparaat geen grote voorwerpen kan meenemen zoals stenen, grote stukken papier of andere voorwerpen waardoor het apparaat verstopt kan raken.
 15. Gebruik het apparaat niet om ontvlambare of brandbare materialen zoals benzine of toner van printers of kopieerapparaten op te zuigen, en gebruik het apparaat ook niet in ruimtes waar deze aanwezig kunnen zijn.
 16. Gebruik het apparaat niet om iets op te zuigen dat brandt of rookt, zoals sigaretten, lucifers, hete as of iets dat brand kan veroorzaken.
 17. Stop geen voorwerpen in de zuigopening. Gebruik het apparaat niet als de zuigopening geblokkeerd is. Zorg dat er geen stof, pluizen, haren of andere zaken in de opening komen waardoor de luchtstroom vermindert.
 18. Zorg dat u het netsnoer niet beschadigt. Trek niet aan het netsnoer en gebruik dit nooit om het apparaat of het schoonmaakstation te dragen, gebruik het snoer niet als handvat, duw geen deuren dicht als het snoer eronder ligt, en trek het snoer niet langs scherpe randen of hoeken. Laat het apparaat niet over het netsnoer rijden. Houd het netsnoer uit de buurt van warme oppervlakken.
 19. Als het netsnoer beschadigd is, moet dit worden vervangen door de fabrikant of diens servicevertegenwoordiger om gevaarlijke situaties te voorkomen.
 20. Gebruik het schoonmaakstation niet als het beschadigd is. De voeding mag niet worden gerepareerd en mag niet meer worden gebruikt als deze beschadigd of defect is.

21. Gebruik het apparaat niet met een beschadigd netsnoer of een beschadigd stopcontact. Gebruik het apparaat of het schoonmaakstation niet als deze niet goed werken, zijn gevallen, beschadigd, buiten hebben gelegen of in contact zijn gekomen met water. Deze moeten worden gerepareerd door de fabrikant of diens servicevertegenwoordiger om gevaarlijke situaties te voorkomen.
22. Zet de aan-/uitschakelaar UIT voordat u het apparaat gaat schoonmaken of onderhouden.
23. De stekker moet worden verwijderd uit het stopcontact voordat u het schoonmaakstation reinigt of onderhoudt.
24. Haal het apparaat van het schoonmaakstation en zet de aan-/uitschakelaar van het apparaat UIT als u de accu eruit wilt halen om het apparaat af te voeren.
25. De accu moet uit het apparaat worden gehaald en afgevoerd in overeenstemming met lokale wet- en regelgeving voordat u het apparaat weggooit.
26. Voer accu's af in overeenstemming met de lokale wet- en regelgeving.
27. Verbrand het apparaat niet, ook niet als het ernstig is beschadigd. Bij verbranding kunnen de accu's ontploffen.
28. Als u het schoonmaakstation voor een langere periode niet gebruikt, moet u de stekker uit het stopcontact halen.
29. Het apparaat moet worden gebruikt in overeenstemming met de instructies in deze gebruiksaanwijzing. ECOVACS ROBOTICS kan niet aansprakelijk of verantwoordelijk worden gesteld voor schade of letsel veroorzaakt door oneigenlijk gebruik.
30. De robot bevat accu's die uitsluitend mogen worden vervangen door iemand die hiertoe bevoegd is. Raadpleeg de klantenservice om de accu van de robot te vervangen.
31. Als de robot lange tijd niet wordt gebruikt, moet u deze uitschakelen en het schoonmaakstation loskoppelen.
- 32. WAARSCHUWING:** Gebruik voor het opladen van de accu uitsluitend de verwijderbare voedingseenheid CH2128 die bij dit apparaat is geleverd.

Om te voldoen aan de vereisten voor blootstelling aan RF-straling, moet er een afstand van 20 cm of meer worden aangehouden tussen dit apparaat en

personen tijdens het gebruik van het apparaat.


Om naleving te garanderen, wordt het gebruik van het apparaat op kleinere afstand niet aanbevolen.

De antenne die voor deze zender wordt gebruikt, mag niet op dezelfde plek als een andere antenne of zender worden geplaatst.

Apparaat bijwerken

Sommige apparaten worden gewoonlijk om de twee maanden bijgewerkt, maar niet altijd zo specifiek.

Sommige apparaten, met name apparaten die meer dan drie jaar geleden op de markt zijn gebracht, worden alleen bijgewerkt als er een kritiek beveiligingslek is gevonden en opgelost.

	Klasse II
	Transformator met kortsluitvaste veiligheidsisolatie
	Schakelmodus voeding
	Alleen voor gebruik binnenshuis
	Gelijkstroom
	Wisselstroom

Voor EU-landen

Ga voor meer informatie over de EU-conformiteitsverklaring naar <https://www.ecovacs.com/global/compliance>.

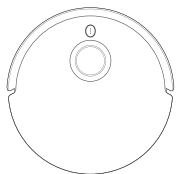


Correcte verwijdering van dit product

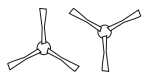
Dit symbool geeft aan dat dit product in de EU niet mag worden afgevoerd met overig huishoudelijk afval. Om eventuele schade aan het milieu of de gezondheid door ongecontroleerde afvalverwijdering te voorkomen, dient u het op verantwoorde manier te recyclen ter bevordering van het duurzaam hergebruik van materiële hulpbronnen. Als u uw apparaat wilt recyclen, kunt u gebruikmaken van de retour- en verzamelsystemen of contact opnemen met het verkooppunt waar het product is gekocht. Daar kan dit product veilig worden gerecycled.

De bewaking op afstand is uitsluitend bedoeld voor privégebruik van niet-openbare, particuliere locaties, uitsluitend voor zelfbescherming en individuele controle. Houd bij gebruik rekening met de lokale wettelijke verplichtingen inzake gegevensbescherming. Er mag zonder gerechtvaardigde redenen geen toezicht op openbare locaties plaatsvinden, vooral niet met clandestiene bedoelingen en/of door de werkgever. Een dergelijk niet-gerechtvaardigd gebruik vindt uitsluitend plaats voor risico en verantwoordelijkheid van de gebruiker.

Inhoud van de verpakking



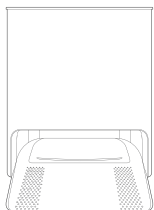
Robot



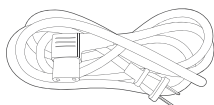
Dubbele
zijborstels



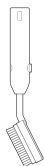
Wasbare
dweilpads



Schoonmaakstation



Netsnoer



Schoonmaakborstel



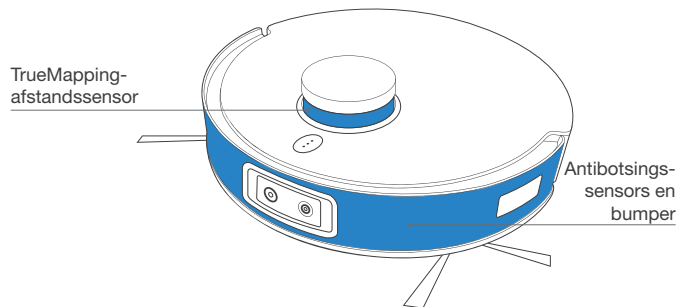
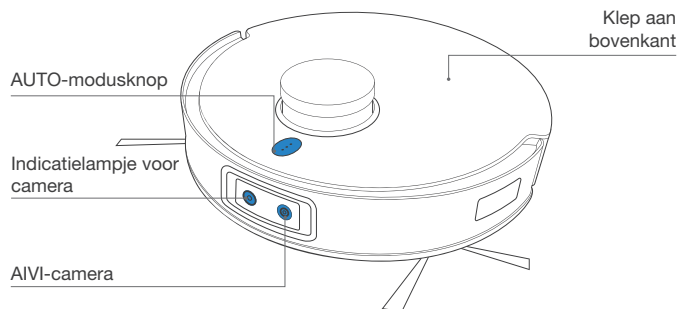
Gebruiksaanwijzing



Multifunctioneel
reinigingshulpstuk

Productschema

Robot



Opmerking: Afbeeldingen en illustraties dienen alleen ter referentie en kunnen afwijken van het werkelijke uiterlijk van het product. Productontwerp en specificaties kunnen zonder voorafgaande kennisgeving worden gewijzigd.

RESET-knop

Microfoon



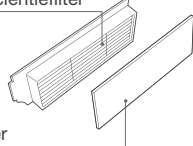
Aan-/
uitschakelaar
"I" = AAN
"O" = UIT

Wi-Fi-statusindica-
tielampje

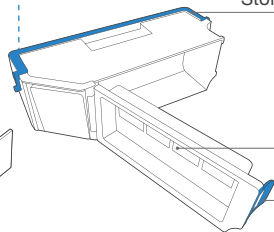
Stofhouder

Hoge-efficiëntiefilter

Sponsfilter



Stofhouderhandvat



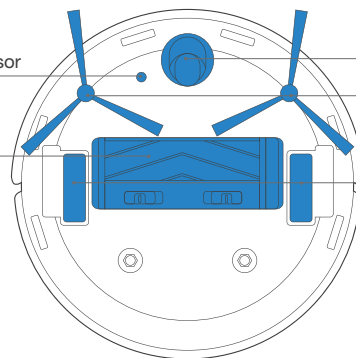
Filterrooster

Ontgrendel-
knop

Onderaanzicht

Tapijtdetectiesensor

Hoofdborstel



Universeel wiel

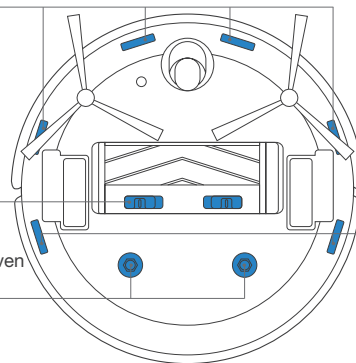
Zijborstels

Stuurwielen

Valsensoren

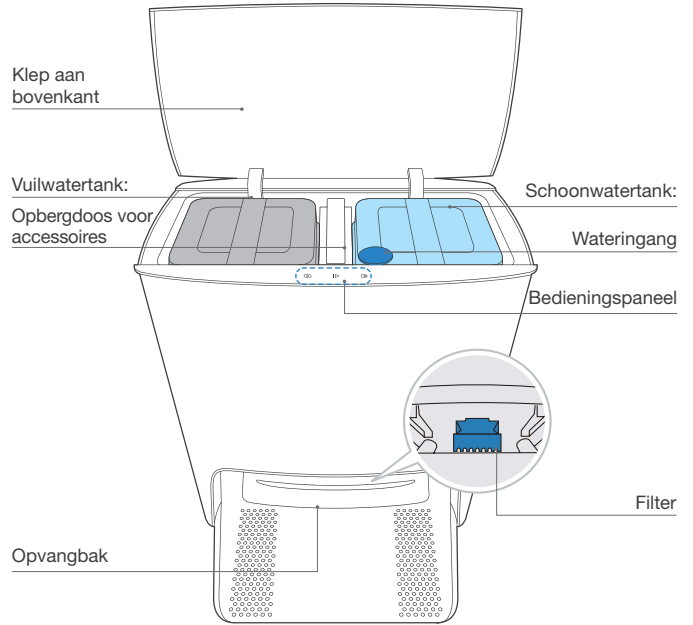
Ontgrendelknop
hoofdborstel

Bevestigingsgleuven
voor dweilpadset



Valsensoren

Schoonmaakstation



Knop op het bedieningspaneel

Knop Zelfreiniging

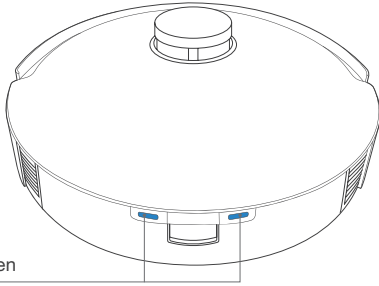


Knop Starten/Onderbreken

Knop Terugroepen/
Afsluiten

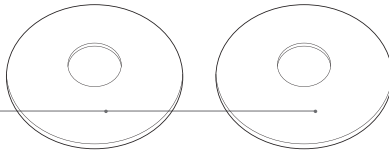


Oplaadcontacten

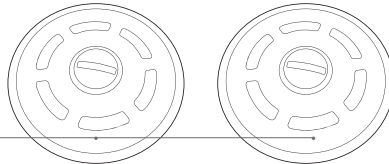


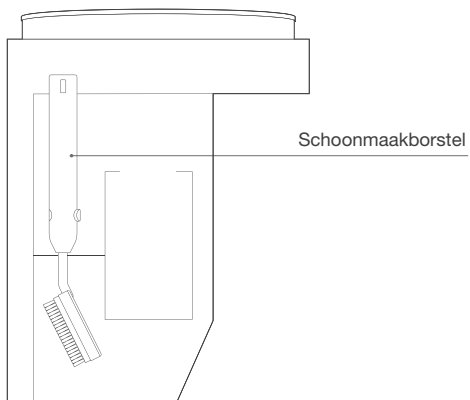
Dweilpadset

Wasbare dweilpads

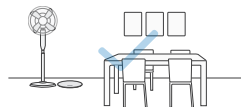


Dweilpadplaten





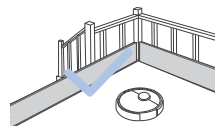
Voordat u gaat schoonmaken



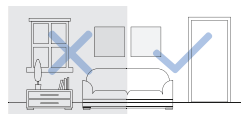
Ruim het te reinigen gebied op door meubilair, zoals stoelen, op de juiste plaats te zetten.



Zorg er bij het eerste gebruik voor dat alle deuren open zijn, zodat de DEEBOT uw huis volledig kan verkennen.



Het is misschien nodig om een fysieke barrière bij de rand van een valgevaar te plaatsen zodat het apparaat niet over de rand valt.



Zorg ervoor dat de te reinigen oppervlakken goed verlicht zijn, zodat de AIVI-camera goed werkt. Verwijder netsnoeren en kleine voorwerpen van de vloer voor een efficiënte schoonmaakbeurt.



Haal voorwerpen zoals kabels, doeken en slippers enzovoort weg van de vloer om het schoonmaakresultaat te verbeteren.



Reinig de AIVI-camera en TrueMapping-afstandssensor met een schone doek en gebruik geen reinigingsmiddel of reinigingspray.



Voordat u dit product op een kleed met franjes gaat gebruiken, moet u de randen van het kleed onder het kleed vouwen.



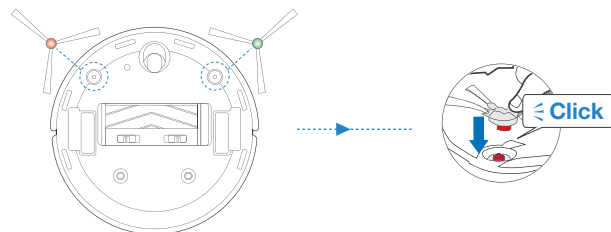
Ga niet in nauwe ruimten, zoals gangen, staan en zorg ervoor dat de AIVI-camera niet wordt geblokkeerd.

Aan de slag

Voordat u de DEEBOT gebruikt, moet u alle beschermende folie of beschermende strips van de DEEBOT en het schoonmaakstation verwijderen.

De zijborstel installeren

Zorg ervoor dat de kleur van de zijborstel overeenkomt met die van de bevestigings sleuf.



ECOVACS HOME-app

Om alle beschikbare functies te kunnen gebruiken, raden we u aan uw DEEBOT te bedienen via de ECOVACS HOME-app.

Controleer voordat u begint of:

- Uw mobiele telefoon is verbonden met een Wi-Fi-netwerk.
- Het draadloze signaal van de 2,4 GHz- of 2,4/5 GHz-band is ingeschakeld op uw router.
- Het Wi-Fi-indicatielampje op de DEEBOT knippert langzaam.



Wi-Fi-indicatielampje

	Knippert langzaam	Verbinding met Wi-Fi verbroken of wacht op Wi-Fi-verbinding
	Knippert snel	Verbinding maken met Wi-Fi
	Brandt ononderbroken	Verbonden met Wi-Fi

Wi-Fi-verbinding

Controleer voordat u Wi-Fi instelt of uw DEEBOT, mobiele telefoon en Wi-Fi-netwerk aan de volgende vereisten voldoen.

Vereisten voor DEEBOT en mobiele telefoon

- De DEEBOT is volledig opgeladen en de aan-/uitschakelaar van de DEEBOT is ingeschakeld.
- Het Wi-Fi-statuslampje knippert langzaam.
- Schakel de mobiele gegevens van de mobiele telefoon uit (u kunt deze na de configuratie weer inschakelen).

Wi-Fi-netwerkvereisten

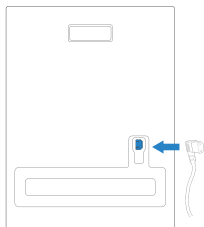
- U gebruikt een 2,4 GHz- of gemengd 2,4/5 GHz-netwerk.
- Uw router ondersteunt het 802.11b/g/n- en IPv4-protocol.
- Gebruik geen VPN (Virtual Private Network) of proxyserver.
- Gebruik geen verborgen netwerk.
- Gebruik WPA en WPA2 met TKIP-, PSK-, AES/CCMP-codering.
- WEP EAP (Enterprise Authentication Protocol) wordt niet ondersteund.
- Gebruik Wi-Fi-kanalen 1-11 in Noord-Amerika en kanalen 1-13 buiten Noord-Amerika (raadpleeg de lokale regelgeving).
- Als u een netwerkextender/-repeater gebruikt, zijn de netwerknaam (SSID) en het wachtwoord hetzelfde als voor uw primaire netwerk.

Wanneer een Wi-Fi-verbinding tot stand is gebracht, schakelt DEEBOT over in de modus Stand by in network, indien er gedurende 10 minuten geen signaal wordt ontvangen.

Houd er rekening mee dat gebruikers de ECOVACS HOME-app, die voortdurend wordt bijgewerkt, moeten downloaden en gebruiken om intelligente functies te kunnen benutten, zoals opstarten op afstand, spraakinteractie 2D/3D-kaartweergave en -bedieningsinstellingen en persoonlijke reinigingsinstellingen (afhankelijk van verschillende producten). U dient akkoord te gaan met ons Privacybeleid en onze Gebruikersovereenkomst voordat we enkele van uw basisgegevens en noodzakelijke gegevens kunnen verwerken en u in staat kunnen stellen het product te bedienen via de ECOVACS HOME-app. Als u niet akkoord gaat met ons Privacybeleid en onze Gebruikersovereenkomst, kunnen sommige van de eerder genoemde intelligente functies niet worden bediend via de ECOVACS HOME-app, maar u kunt nog steeds de basisfuncties van dit product gebruiken voor handmatige bediening.

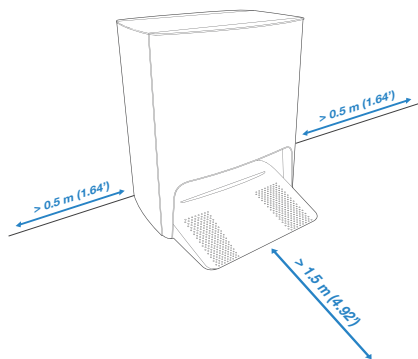
DEEBOT opladen

1 Schoonmaakstation monteren



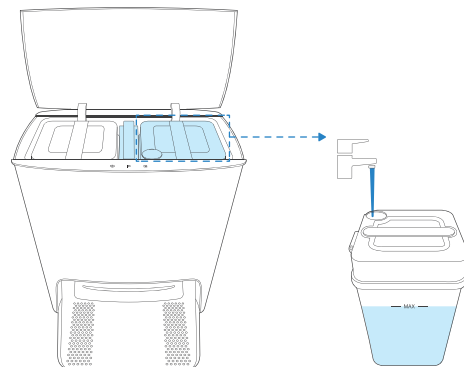
2 Plaatsing van het schoonmaakstation

Houd het gebied rond het station vrij van voorwerpen en reflecterende oppervlakken.



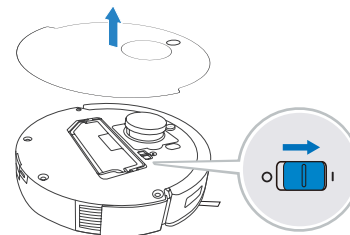
* Als er reflecterende voorwerpen zoals spiegels en reflecterende plinten in de buurt van het station zijn, moet de onderste 14 cm daarvan worden afgedekt. Plaats het station niet in direct zonlicht. Het wordt aanbevolen om het station op de harde vloer te plaatsen om alle functies van de robot te kunnen gebruiken.

3 Voeg water toe aan schoonwatertank



Opmerking: Het wordt aanbevolen om de ECOVACS DEEBOT-schoonmaakoplossing te gebruiken (apart verkrijgbaar). Het gebruik van andere schoonmaakoplossingen kan ertoe leiden dat de wielen van de DEEBOT slippen, de watertank verstopt raakt of andere problemen ontstaan.

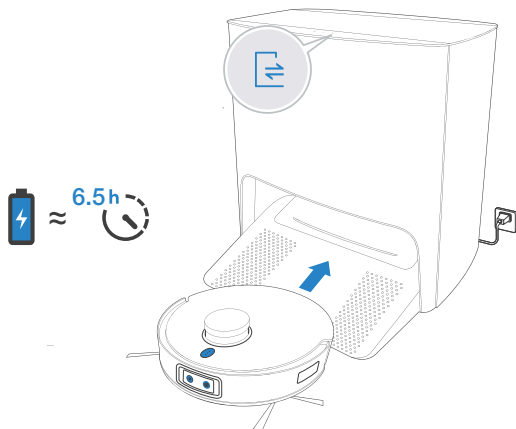
4 Het apparaat inschakelen



Opmerking: I = AAN, O = UIT.

De DEEBOT kan niet worden opgeladen wanneer deze is uitgeschakeld.

5 De DEEBOT opladen



Het wordt aanbevolen om de DEEBOT vanaf het station te laten reinigen. Verplaats het station niet tijdens het reinigen.

DEEBOT bedienen

Wanneer u voor de eerste keer een kaart genereert, volg uw DEEBOT dan om een mogelijk kleine problemen te verhelpen.

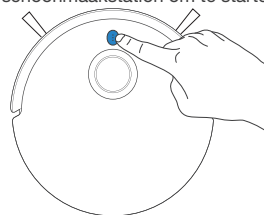
De DEEBOT kan bijvoorbeeld vast komen te zitten onder lage meubels.

Raadpleeg de volgende oplossingen:

- ① Til het meubilair indien mogelijk op;
- ② Dek de onderkant van het meubilair af;
- ③ Stel een virtuele grens in via de app.

1 Starten

Tik op  op de DEEBOT of op  op het schoonmaakstation om te starten

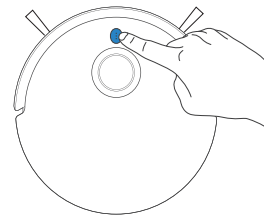


Opmerking:


1. Zorg ervoor dat de DEEBOT volledig is opgeladen als u voor het eerst gaat schoonmaken met het apparaat.
2. Het wordt afgeraden de dweilpadplaten voor de eerste schoonmaak te installeren.

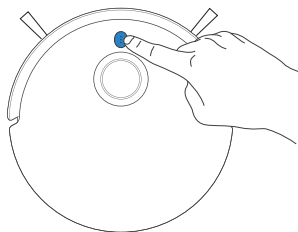
2 Onderbreken

Tik op  op de DEEBOT of op  op het schoonmaakstation om te onderbreken.




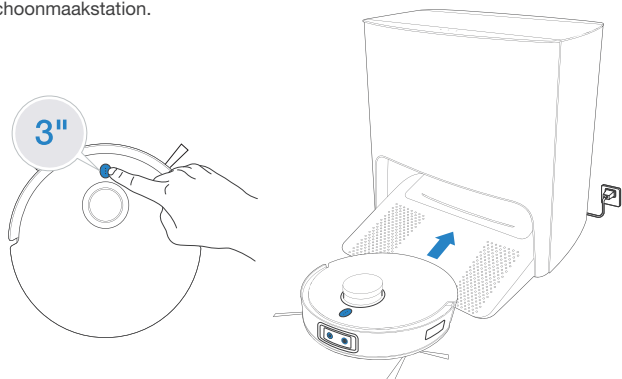
3 Activeren

Het indicatielampje gaat uit nadat de robot enkele minuten is onderbroken. Tik op  op de DEEBOT om de robot te activeren.



4 Terug naar het station

Houd  3 seconden ingedrukt om de DEEBOT terug te sturen naar het schoonmaakstation.

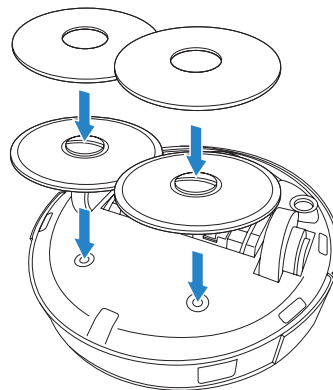


Opmerking: Wanneer de DEEBOT niet bezig is met schoonmaken, wordt aangeraden het apparaat AAN te laten staan zodat het apparaat kan opladen.

Dweilen

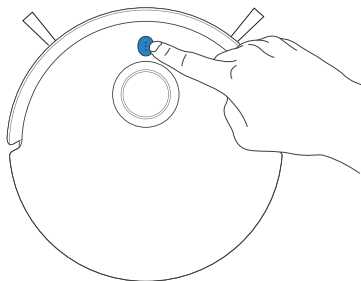
Gebruik de dweilfunctie niet op tapijt.

1 Bevestig de dweilpads en de dweilpadplaten.



2 Dweilen

Tik op  op de DEEBOT
of op  op het schoonmaakstation om te beginnen met dweilen



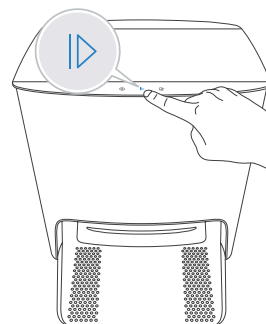
Opmerking:

1. Dient u de wasbare dweilpads niet vaak te verwijderen.
2. Gebruik geen doek of ander voorwerp om de dweilpadplaten schoon te boenen.
3. Wanneer de ECOVACS HOME-app aangeeft dat de dweilen moeten worden vervangen, moet u deze tijdig vervangen.

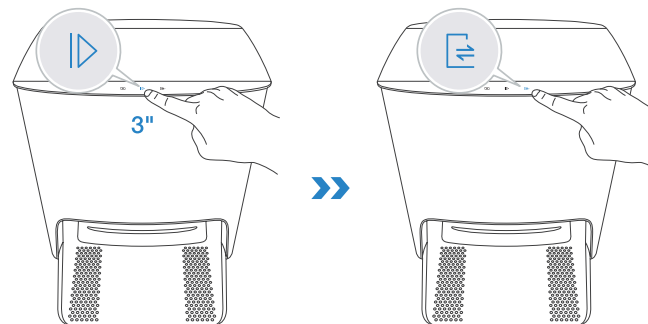
Ontdek meer accessoires in de ECOVACS HOME-app of op <https://www.ecovacs.com/global>.

Schoonmaakstation

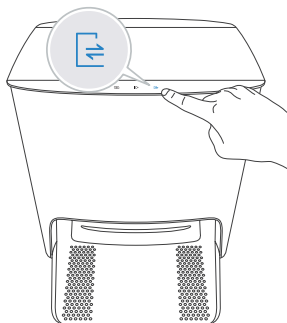
1 DEEBOT starten/onderbreken



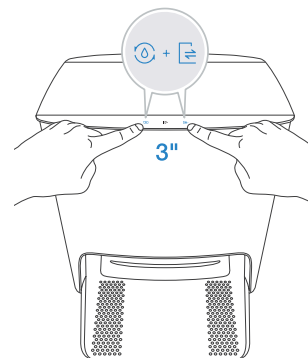
2 DEEBOT terugroepen



3 DEEBOT weg laten gaan van het schoonmaakstation



4 Kinderslot AAN/UIT



Wanneer het kinderslot is ingeschakeld, worden de aanraaktoets op de DEEBOT en het station vergrendeld om de veiligheid te waarborgen. Herhaal dezelfde stap om het kinderslot uit te schakelen.

Regulier onderhoud

Om ervoor te zorgen dat de DEEBOT optimaal blijft presteren, dient u onderhoud uit te voeren en onderdelen te vervangen met de volgende frequentie.

Robotonderdeel	Onderhoudsfrequentie	Vervangingsfrequentie
Wasbare pad voor dweilen	/	Elke 1-2 maanden
Zijborstel	Eenmaal per 2 weken	Elke 3-6 maanden
Hoofdborstel	Eenmaal per week	Elke 6-12 maanden
Sponsfilter/hoge-efficiëntiefilter	Eenmaal per week	Elke 3-6 maanden
AIVI-camera TrueMapping-afstandssensor Universeel wiel Valsensoren Bumper Oplaadcontacten Pennen van schoonmaakstation	Eenmaal per week	/
Opvangbak	Eenmaal per 2 weken	/
Schoonwatertank:	Eenmaal per 3 maanden	/
Vuilwatertank:	Na elke dweilsessie	/
Schoonmaakstation	Eenmaal per maand	/
Filter	Eenmaal per maand	/

Voordat u reinigings- en onderhoudstaken uitvoert op de DEEBOT, schakelt u de robot uit en haalt u de stekker van het schoonmaakstation uit het stopcontact. Er wordt een multifunctioneel reinigingshulpstuk meegeleverd voor eenvoudig onderhoud. Wees er voorzichtig mee; het hulpstuk heeft scherpe randen.

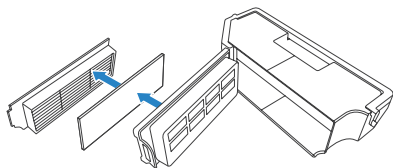
Opmerking: ECOVACS produceert diverse vervangingsonderdelen en kits. Neem contact op met de klantenservice voor meer informatie over vervangingsonderdelen.

Stofhouder onderhouden

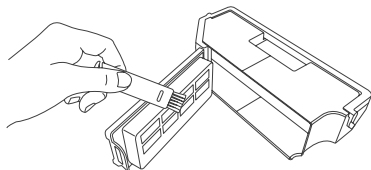
1



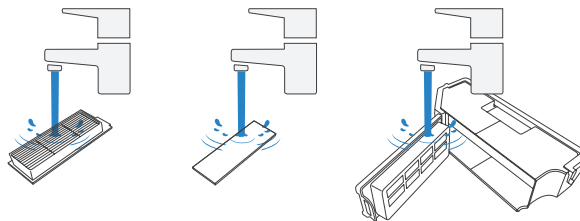
2



3



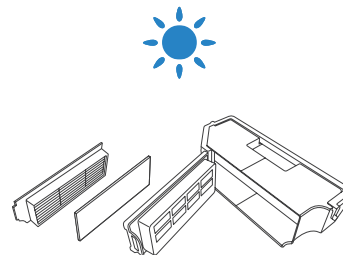
4



Opmerking:

1. Spoel het filter met water zoals hierboven weergegeven.
2. Gebruik geen vingers of borstel om het hoge-efficiëntiefilter schoon te maken.

5

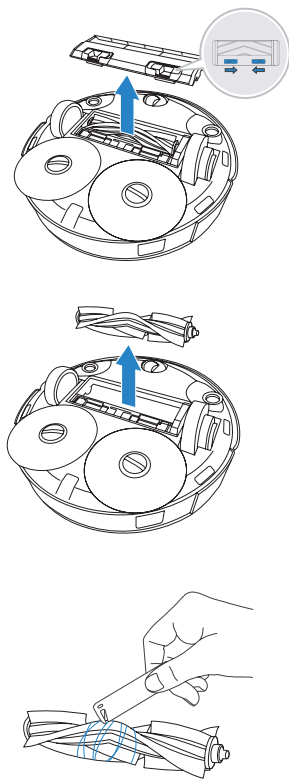


Opmerking:

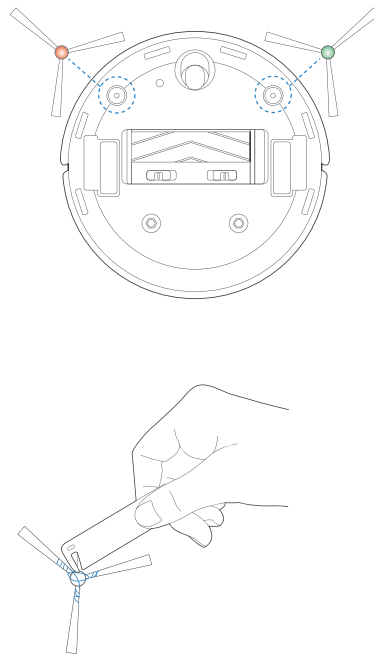
Droog het filter volledig af voor gebruik.
Ontdek meer accessoires in de ECOVACS HOME-app of op <https://www.ecovacs.com/global>.

Hoofdborstel en zijborstels onderhouden

Hoofdborstel

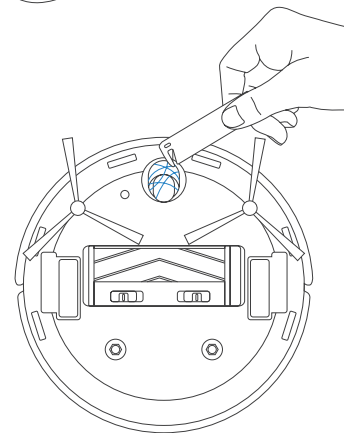
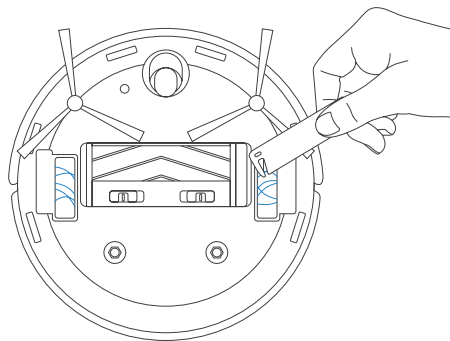
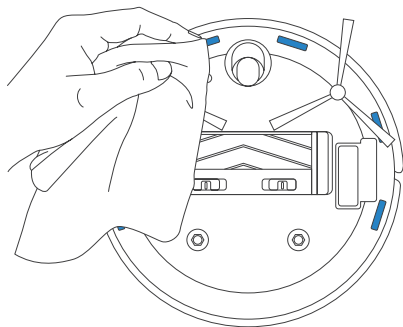
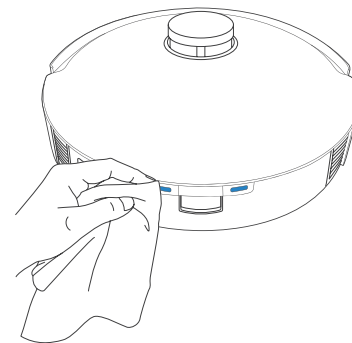
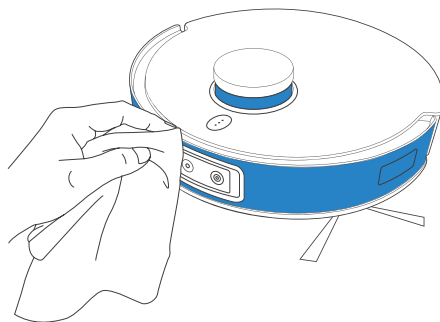
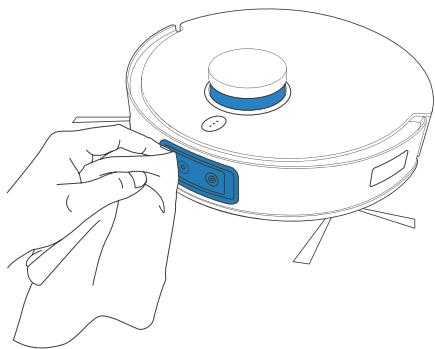


Zijborstels



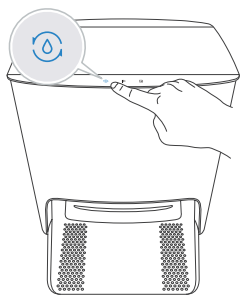
Onderhoud van andere onderdelen

Opmerking: Veeg de onderdelen schoon met een schone, droge doek. Gebruik geen reinigingspray of reinigingsmiddelen.

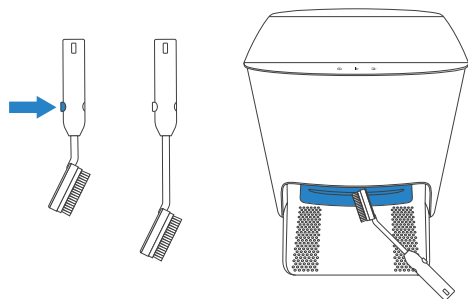


Schoonmaakstation onderhouden

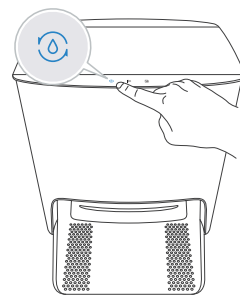
1 Voeg water toe aan de opvangbak



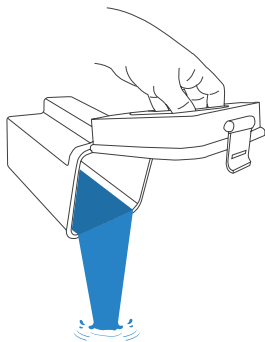
2 Reinig de opvangbak



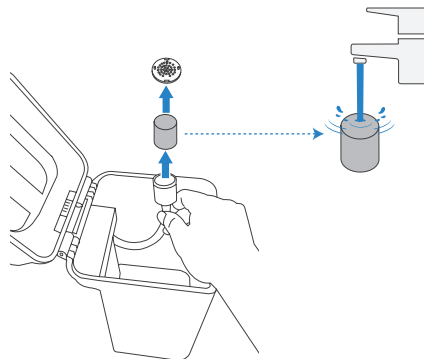
3 Laat het water uit de opvangbak lopen



4 Leeg de vuilwatertank

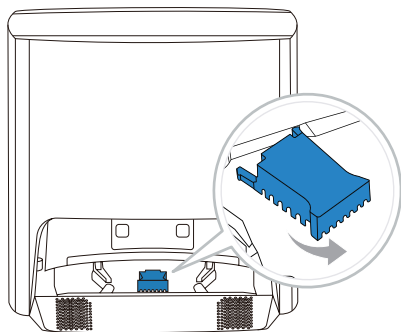


5 Reinig het filter van de schoonwatertank

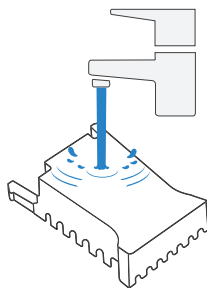


Filter onderhouden

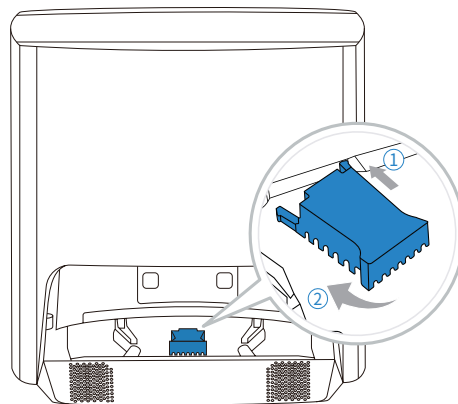
1 Verwijder het filter



2 Was het filter




3 Installeer het filter




Probleemoplossing

Nr.	Storing	Mogelijke oorzaken	Oplossingen
1	De DEEBOT kan geen verbinding maken met de ECOVACS HOME-app.	Onjuiste gebruikersnaam of onjuist wachtwoord ingevoerd voor het Wi-Fi-thuisnetwerk.	Voer de juiste gebruikersnaam en het juiste wachtwoord in voor het Wi-Fi-thuisnetwerk.
		De DEEBOT bevindt zich buiten bereik van uw Wi-Fi-thuisnetwerk.	Zorg ervoor dat de DEEBOT zich binnen bereik van uw Wi-Fi-thuisnetwerk bevindt.
		De DEEBOT bevindt zich niet in de configuratiestand.	Controleer of de DEEBOT is aangesloten op het stopcontact en is ingeschakeld. Open de klep en druk op de RESET-knop. De DEEBOT schakelt over naar de configuratiestand wanneer u een gesproken aanwijzing hoort.
		Onjuiste app geïnstalleerd.	Download en installeer de ECOVACS HOME-app.
		Gebruikt geen 2,4 GHz- of gemengd 2,4/5 GHz-netwerk.	De DEEBOT ondersteunt geen 5G-netwerk. Gebruik een 2,4 GHz- of gemengd 2,4/5 GHz-netwerk.
2	De kaart is verdwenen.	De kaart kan verdwijnen als u de DEEBOT verplaatst tijdens het schoonmaken.	Verplaats de DEEBOT naar de voorkant van het station om de kaart op te halen. Zoek de herstelde kaart in Kaartbeheer en tik op "Deze kaart gebruiken" om de kaart op te halen. Als dit probleem zich blijft voordoen nadat u de bovenstaande oplossingen hebt geprobeerd, genereert u de kaart opnieuw.
3	Kan geen meubilairplattegrond maken in app.	De DEEBOT begint niet met schoonmaken vanaf het station.	De DEEBOT moet beginnen met schoonmaken vanaf het station.
		Als de DEEBOT wordt verplaatst tijdens het schoonmaken, kan de dweil losraken.	Zorg er tijdens het schoonmaken voor dat de DEEBOT zo weinig mogelijk wordt verplaatst.
		Automatische reiniging is niet voltooid.	Controleer of de DEEBOT na het schoonmaken automatisch terugkeert naar het station.
4	De zijborstels van DEEBOT raken los tijdens het gebruik.	De zijborstels zijn niet goed geplaatst.	Zorg ervoor dat de zijborstels vastklikken bij het plaatsen.

Nr.	Storing	Mogelijke oorzaken	Oplossingen
5	Geen signaal gevonden. Kan niet terugkeren naar het station.	Het station is verkeerd geplaatst.	Plaats het station op de juiste wijze volgens de instructies in het gedeelte [DEEBOT opladen].
		Het station heeft geen stroom of is handmatig verplaatst.	Controleer of het station is aangesloten op een stopcontact. Verplaats het station niet handmatig.
		De DEEBOT begint niet met schoonmaken vanaf het station.	Het wordt aanbevolen om de DEEBOT vanaf het station te laten reinigen.
		De oplaadroute is geblokkeerd. De deur van de kamer met het station is bijvoorbeeld dicht.	Houd de oplaadroute vrij.
6	De DEEBOT keert terug naar het station voordat de schoonmaak is voltooid.	De kamer is zo groot dat de DEEBOT moet terugkeren om op te laden.	Schakel Schoonmaakbeurt hervatten in. Volg de instructies in de app voor meer informatie.
		De DEEBOT kan bepaalde gebieden die zijn geblokkeerd door meubilair of obstakels niet bereiken.	Ruim het te reinigen gebied op door meubilair en kleine objecten op de juiste plaats te zetten.
7	De DEEBOT kan niet worden opgeladen.	De DEEBOT is niet ingeschakeld.	Schakel de DEEBOT in.
		De oplaadcontacten van de DEEBOT zijn niet verbonden met de laadpunten.	Controleer of de oplaadcontacten van de robot zijn verbonden met de pennen van het station en of  knippert. Controleer of de oplaadcontacten van de DEEBOT en het station vuil zijn. Reinig deze onderdelen volgens de instructies in het gedeelte [Onderhoud] .
		Het station is niet aangesloten op de netvoeding.	Zorg dat het station is aangesloten op de netvoeding.
		De accu wordt overladen als de DEEBOT lange tijd niet wordt gebruikt.	Het wordt aanbevolen om de DEEBOT regelmatig te gebruiken. Als de accu niet kan worden opgeladen omdat deze lange tijd niet is gebruikt, neem dan contact op met de klantenservice voor hulp.
8	Tijdens het reinigen is het geluid erg hard.	Zijborstels en hoofdborstel zijn verstrikt geraakt. De stofhouder en het filter zijn geblokkeerd.	Het wordt aanbevolen de zijborstels, de hoofdborstel, de stofhouder, het filter enz. regelmatig te reinigen.
		De DEEBOT bevindt zich in de modus Max.	Schakel over naar de modus Standaard.
9	DEEBOT loopt vast tijdens het schoonmaken en stopt.	DEEBOT is verstrikt geraakt in iets dat op de grond ligt (stroomdraden, gordijnen, franjes van een vloerkleed, enzovoort).	De DEEBOT zal op verschillende manieren proberen zichzelf vrij te maken. Wanneer dit niet lukt, verwijdert u de obstakels handmatig en start u de robot opnieuw.
		De DEEBOT zit mogelijk vast onder meubilair met een hoogte tot de vloer die gelijk is aan de DEEBOT.	Creër een fysiek obstakel of stel een virtueel obstakel via de ECOVACS HOME-app in.

Nr.	Storing	Mogelijke oorzaken	Oplossingen
10	Tijdens het schoonmaken wijkt de DEEBOT van zijn route af, worden delen van de reiniging herhaald, treedt er lekkage in kleine gebieden op enz. (Als een groot gebied tijdelijk niet is geveegd, zal de DEEBOT de lekkage zelf verhelpen. Soms gaat de DEEBOT opnieuw een gereinigde kamer binnen om een eventueel gemist gebied te zoeken.)	Voorwerpen zoals kabels en slippers die op de grond liggen, beïnvloeden de normale werking van de DEEBOT.	Verwijder de rondslingerende kabels, slippers en andere voorwerpen van de grond voordat u gaat schoonmaken. En verminder de hoeveelheid rondslingerende voorwerpen op de grond zo veel mogelijk. Als er een lek is in een gebied, verhelpt de DEEBOT de lekkage zelf. Zorg dat u de werking van de DEEBOT niet verstoort (bijvoorbeeld door de DEEBOT te verplaatsen of de route te blokkeren).
		Het kan zijn dat de stuurwielen slippen op de vloer wanneer de DEEBOT trappen, drempels en deurbalken beklimt, waardoor de beoordeling van de hele huisomgeving wordt beïnvloed.	Het wordt aanbevolen om de deur van dit gebied te sluiten en het afzonderlijk te reinigen. Na de schoonmaakbeurt keert de DEEBOT terug naar het beginpunt. U kunt de DEEBOT gerust gebruiken.
		Er is sprake van net in de was gezette en gepolijste vloeren of gladde tegels, waardoor de wrijving tussen de stuurwielen en de vloer vermindert.	Wacht tot de was droog is voordat u de reiniging gaat uitvoeren.
		Vanwege verschillende thuisomgevingen kunnen sommige gebieden niet worden schoongemaakt.	Maak de thuisomgeving schoon om ervoor te zorgen dat de DEEBOT deze kan betreden om de reiniging uit te voeren.
		De TrueMapping-afstandssensor is vuil of wordt geblokkeerd door vreemde voorwerpen.	Veeg de TrueMapping-afstandssensor af met een schone, zachte doek of verwijder vreemde voorwerpen.
11	Video Manager kan niet worden geopend of heeft geen scherm.	De Wi-Fi-verbinding is verbroken.	Controleer de status van de Wi-Fi-verbinding. De DEEBOT moet zich in een gebied met een goed Wi-Fi-signaal bevinden om de Video Manager te kunnen inschakelen.
		Video Manager is niet geautoriseerd.	Controleer uw toestemming in het Privacybeleid voordat u de robot gebruikt.
		Vanwege netwerklatentie kunt u de Video Manager mogelijk tijdelijk niet openen.	Probeer het later opnieuw.
		De AIVI-camera is geblokkeerd.	Verwijder de afscherming.
12	Vertraging in afstandsbediening.	Het Wi-Fi-signaal is slecht, waardoor het laden van de video langzaam verloopt.	Gebruik de DEEBOT in gebieden met een goed Wi-Fi-signaal.

Nr.	Storing	Mogelijke oorzaken	Oplossingen
13	De AIVI-camera herkent geen objecten.	Het schoonmaakgebied is niet goed verlicht.	Voor slimme herkenning is voldoende verlichting vereist. Zorg ervoor dat de te reinigen gebieden goed verlicht zijn.
		De lens van de AIVI-camera is vuil of geblokkeerd.	Reinig de lens met een schone, zachte doek en zorg ervoor dat de sensor niet wordt geblokkeerd. Gebruik geen reinigingsmiddel of reinigingspray tijdens het schoonmaken.
14	Dweilpadplaat kan niet draaien.	De dweilpadplaat wordt geblokkeerd door vreemde voorwerpen.	Verwijder de vreemde voorwerpen.
15	De DEEBOT reageert niet op de instructie van het station.	De DEEBOT bevindt zich te ver van het station.	Als de DEEBOT buiten bereik is, kan deze ook worden bediend via de ECOVACS HOME-app.
		De DEEBOT en het station zijn niet gekoppeld.	Haal de stekker van het station uit het stopcontact en wacht 10 seconden om de stekker weer in te steken. Schakel de robot uit en vervolgens weer in. Duw de robot handmatig naar het station toe en zorg ervoor dat de oplaadpinnen correct zijn aangesloten. De DEEBOT begint vervolgens met opladen en er wordt via een spraakaanwijzing aangegeven dat de koppeling is gelukt.
16	Kan kinderslot niet inschakelen.	Communicatieonderbreking tussen het station en de DEEBOT (bijvoorbeeld: grote afstand of veel scheidingswanden)	Plaats de DEEBOT in de buurt van het station voor een soepele communicatie en schakel vervolgens het kinderslot in.
17	Stuurwielen zijn geblokkeerd.	De stuurwielen worden geblokkeerd door vreemde voorwerpen.	Draai de stuurwielen en druk erop om te controleren of er een vreemd voorwerp omheen is gewikkeld of vastzit. Als er een vreemd voorwerp aanwezig is, verwijder dit dan tijdig. Neem contact op met de klantenservice als het probleem zich blijft voordoen.

Nr.	Storing	Mogelijke oorzaken	Oplossingen
18	Wanneer de opvangbak vol is en niet kan worden geleegd, geeft de stem aan dat de opvangbak vol is.	De vuilwatertank is niet goed geïnstalleerd.	Duw de vuilwatertank omlaag om er zeker van te zijn dat deze goed is geïnstalleerd.
		De afdichtpluggen in de vuilwatertank zijn niet goed geïnstalleerd.	Controleer of de afdichtpluggen goed zijn aangebracht.
		Het station kan het water niet normaal afvoeren.	Tik twee keer op  om te zien of het station het water goed kan afvoeren. Als het probleem optreedt tijdens schoonmaken met de dweilpads, houdt u  ingedrukt om de taak te voltooien en tikt u twee keer  om te zien of het station het water goed kan afvoeren. Als het water goed wordt afgevoerd, veegt u de wateroverloopsensor van de opvangbak droog. Als het station het water niet afvoert, controleert u of er vreemde voorwerpen aanwezig zijn tussen de vuilwatertank en het station en verwijdert u deze.
		De aanzuigpoort van de opvangbak is geblokkeerd door een vreemd voorwerp.	Zorg ervoor dat er geen vreemde voorwerpen in de aanzuigpoort van de opvangbak zitten.
		De gesproken melding is er nog steeds nadat u bovenstaande oplossingen hebt geprobeerd.	Haal de stekker van het station uit het stopcontact en steek de stekker weer in het stopcontact. Neem contact op met de klantenservice als het probleem zich blijft voordoen.

Technische specificaties

Model	DBX23
Nominaal ingangsvermogen	20 V \equiv 2 A
Model schoonmaakstation	CH2128
Nominaal ingangsvermogen (Opladen)	220-240 V \sim 50-60 Hz 0,3 A
Vermogen (Drogen)	100 W
Nominaal uitgangsvermogen	20 V \equiv 2 A
Frequentiebanden	2400-2483,5 MHz
Stroomverbruik bij stand-by in netwerk	Minder dan 2,00 W.

Uitgangsvermogen van de Wi-Fi-module is minder dan 100 mW.

Opmerking: Technische en ontwerpgegevens kunnen worden gewijzigd in het kader van continue productverbetering.

Ga voor meer informatie over accessoires naar <https://www.ecovacs.com/global>.

Ecovacs Robotics Co., Ltd.

No.518 Songwei Road, Wusongjiang Industry Park, Guoxiang Street, Wuzhong District, Suzhou, Jiangsu, China.

451-2116-1200