



DEEBOT™ N8
Instruction Manual

Live Smart. Enjoy Life.

Should you encounter situations that have not been properly addressed in this Instruction Manual, please contact our Customer Service Center where a technician will be able to help you with your specific problem or question.

For more information, please visit the ECOVACS ROBOTICS official website: www.ecovacs.com

The company reserves the right to make technological and/or design changes to this product for continuous improvement.

Thank you for choosing DEEBOT!

Contents

1. Important Safety Instructions	4
2. Package Contents	8
3. Operating and Programming.....	11
4. Maintenance	17
5. Indicator Light.....	23
6. Troubleshooting.....	24
7. Technical Specifications	28

1. Important Safety Instructions

IMPORTANT SAFETY INSTRUCTIONS

When using an electrical Appliance, basic precautions should always be followed, including the following:

READ ALL INSTRUCTIONS BEFORE USING THIS APPLIANCE SAVE THESE INSTRUCTIONS

1. This Appliance is not intended for use by persons (including children) with reduced physical, sensory or mental capabilities, or lack of experience and knowledge, unless they have been given supervision or instruction concerning use of the Appliance by a person responsible for their safety.
2. Children should be supervised to ensure that they do not play with the Appliance.
3. Clear the area to be cleaned. Remove power cords and small objects from the floor that could entangle the Appliance. Tuck rug fringe under the rug base, and lift items such as curtains and tablecloths off the floor.
4. If there is a drop off in the cleaning area due to a step or stairs, you should operate the

Appliance to ensure that it can detect the step without falling over the edge. It may become necessary to place a physical barrier at the edge to keep the unit from falling. Make sure the physical barrier is not a trip hazard.

5. Only use as described in this manual. Only use attachments recommended or sold by the manufacturer.
6. Please make sure your power supply source voltage matches the power voltage marked on the Docking Station.
7. For INDOOR household use ONLY. Do not use the Appliance in outdoor, commercial or industrial environments.
8. Use only the original rechargeable battery and Docking Station provided with the Appliance from the manufacturer. Non-rechargeable batteries are prohibited. For battery information, please refer to Specifications section.
9. Do not use without dust bin and/or filters in place.
10. Do not operate the Appliance in an area where there are lit candles or fragile objects.
11. Do not use in extremely hot or cold environments (below $-5^{\circ}\text{C}/23^{\circ}\text{F}$ or above $40^{\circ}\text{C}/104^{\circ}\text{F}$).
12. Keep hair, loose clothing, fingers, and all parts of body away from any openings and moving parts.







13. Do not operate the Appliance in a room where an infant or child is sleeping.
14. Do not use Appliance on wet surfaces or surfaces with standing water.
15. Do not allow the Appliance to pick up large objects like stones, large pieces of paper or any item that may clog the Appliance.
16. Do not use Appliance to pick up flammable or combustible materials such as gasoline, printer or copier toner, or use in areas where they may be present.
17. Do not use Appliance to pick up anything that is burning or smoking, such as cigarettes, matches, hot ashes, or anything that could cause a fire.
18. Do not put objects into the suction intake. Do not use if the suction intake is blocked. Keep the intake clear of dust, lint, hair, or anything that may reduce air flow.
19. Take care not to damage the power cord. Do not pull on or carry the Appliance or Docking Station by the power cord, use the power cord as a handle, close a door on the power cord, or pull power cord around sharp edges or corners. Do not run Appliance over the power cord. Keep power cord away from hot surfaces.
20. If the power cord is damaged, it must be replaced by the manufacturer or its service agent in order to avoid a hazard.
21. Do not use the Docking Station if it is damaged. The power supply is not to be repaired and not to be used any longer if it is damaged or defective.
22. Do not use with a damaged power cord or receptacle. Do not use the Appliance or Docking Station if it is not working properly, has been dropped, damaged, left outdoors, or come in contact with water. It must be repaired by the manufacturer or its service agent in order to avoid a hazard.
23. Turn OFF the power switch before cleaning or maintaining the Appliance.
24. The plug must be removed from the receptacle before cleaning or maintaining the Docking Station.
25. Remove the Appliance from the Docking Station, and turn OFF the power switch to the Appliance before removing the battery for disposal of the Appliance.
26. The battery must be removed and discarded according to local laws and regulations before disposal of the Appliance.

27. Please dispose of used batteries according to local laws and regulations.
28. Do not incinerate the Appliance even if it is severely damaged. The batteries can explode in a fire.
29. When not using the Docking Station for a long period of time, please unplug it.
30. The Appliance must be used in accordance with the directions in this Instruction Manual. ECOVACS ROBOTICS cannot be held liable or responsible for any damages or injuries caused by improper use.
31. The robot contains batteries that are only replaceable by skilled persons. To replace the robot's battery, please contact Customer Service.
32. If the robot will not be used for a long time, power OFF the robot for storage and unplug the Docking Station.
- 33. WARNING:** For the purposes of recharging the battery, only use the detachable supply unit CH1822 provided with the Appliance, or CH1918 sold separately as an accessory.
34. This Appliance can be used by children aged from 8 years and above and persons with reduced physical, sensory or mental capabilities or lack of experience and knowledge if they

have been given supervision or instruction concerning use of the Appliance in a safe way and understand the hazards involved. Children shall not play with the Appliance. Cleaning and user maintenance shall not be made by children without supervision. (For Europe)

To satisfy RF exposure requirements, a separation distance of 20 cm or more should be maintained between this device and persons during device operation.

To ensure compliance, operations at closer than this distance is not recommended. The antenna used for this transmitter must not be co-located in conjunction with any other antenna or transmitter.

	Class II
	Short-circuit-proof safety isolating transformer
	Switch mode power supply
	For indoor use only
	Direct current
	Alternating current

For EU Countries

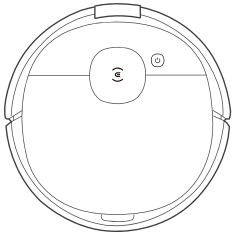
For EU Declaration of Conformity information, visit <https://www.ecovacs.com/global/compliance>



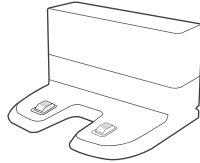
Correct Disposal of this Product

This marking indicates that this product should not be disposed of with other household waste throughout the EU. To prevent possible harm to the environment or human health from uncontrolled waste disposal, recycle it responsibly to promote the sustainable reuse of material resources. To recycle your used device, please use the return and collection systems or contact the retailer where the product was purchased. They can safely recycle this product.

2. Package Contents/2.1 Package Contents



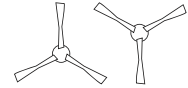
Robot



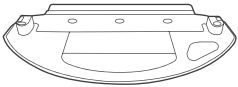
Docking Station



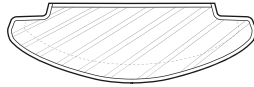
Instruction Manual



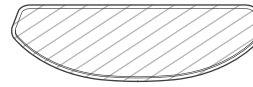
Side Brushes



Mopping Pad Plate



Washable Mopping Pad

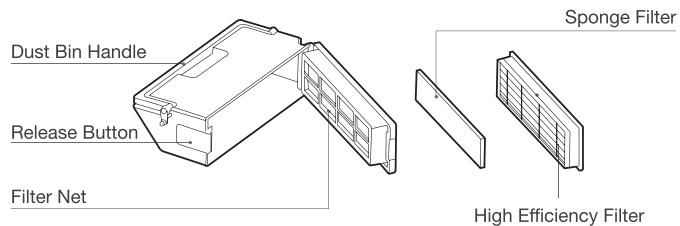
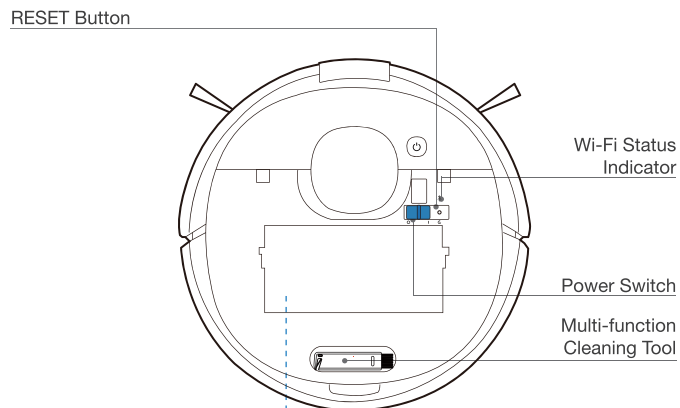
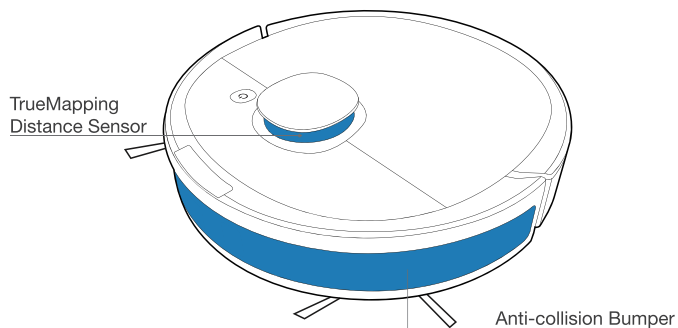
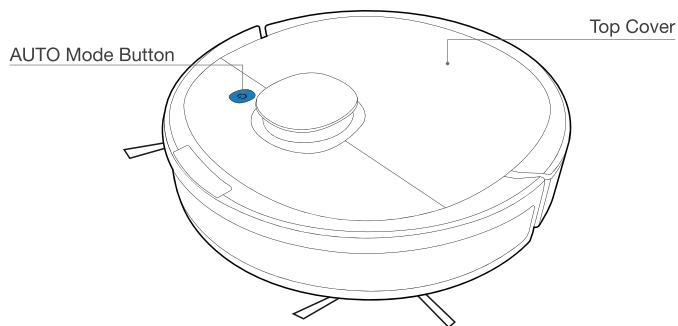


Disposable Mopping Pads

Note: Figures and illustrations are for reference only and may differ from actual product appearance. Product design and specifications are subject to changes without notice.

2. Package Contents/2.2 Product Diagram

Robot

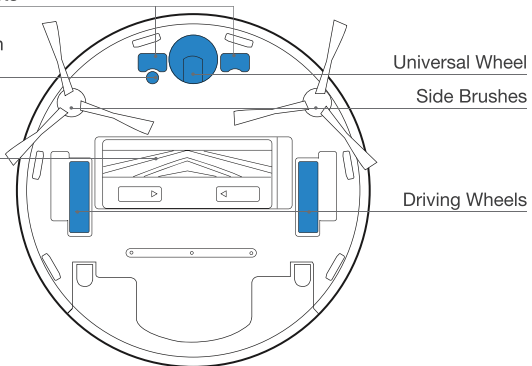


Bottom View

Charging Contacts

Carpet Detection Sensor

Main Brush



Universal Wheel

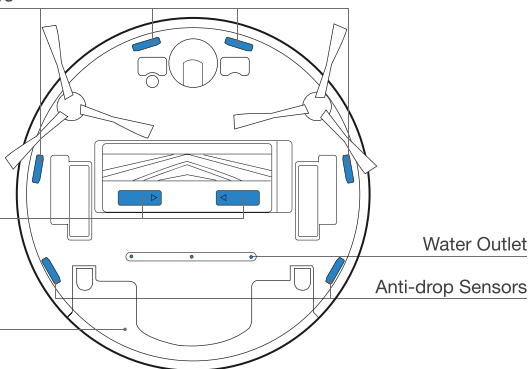
Side Brushes

Driving Wheels

Anti-drop Sensors

Main Brush Release Button

Reservoir

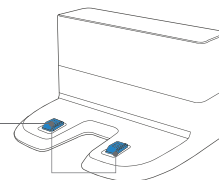


Water Outlet

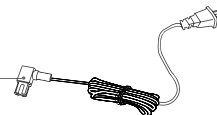
Anti-drop Sensors

Docking Station

Docking Station Pins



Power Cord



Reservoir

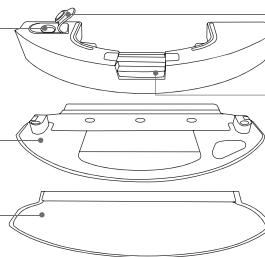
Water Inlet

Mopping Pad Plate

Mopping Pad

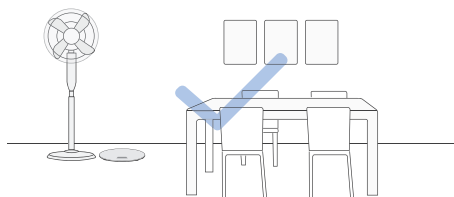
Water Inlet Cover

Reservoir Release Button

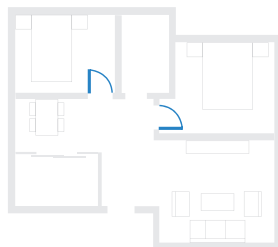


3. Operating and Programming/3.1 Notes Before Cleaning

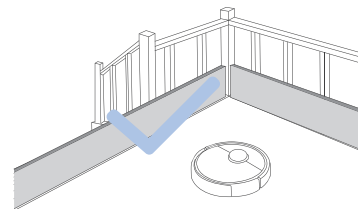
Tidy up the area to be cleaned by putting furniture, such as chairs, in their proper place.



During the first use, make sure each room door is open to help DEEBOT fully explore your house.



It may be necessary to place a physical barrier at the edge of a drop to stop the unit from falling over the edge.



Put away objects including cables, cloths and slippers, etc. on the floor to improve the cleaning efficiency.



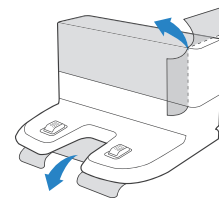
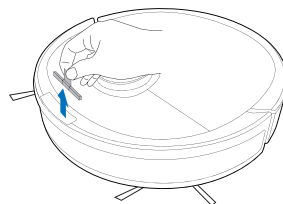
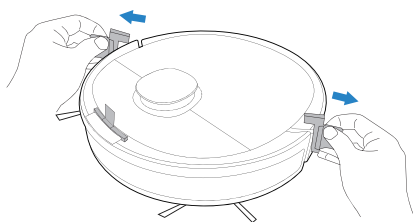
Before using the product on a rug with tasseled edges, please fold the rug edges under.



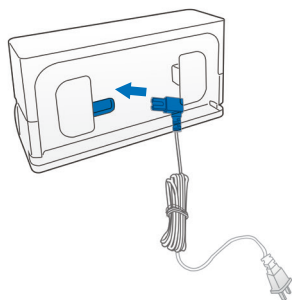
Please do not stand in narrow spaces, such as hallways, and make sure not to block the Detection Sensor.

3. Operating and Programming/3.2 Quick Start

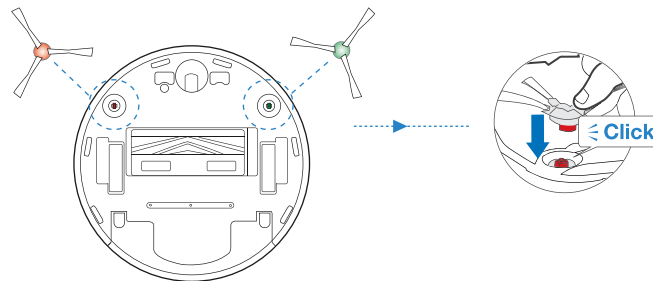
1 Remove Protective Strips and Films



2 Assemble Docking Station

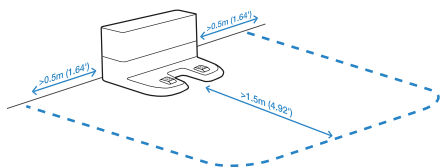


3 Install Side Brushes

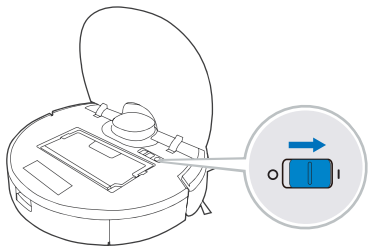


3. Operating and Programming/3.3 Charging DEEBOT

1 Docking Station Placement



2 Power ON





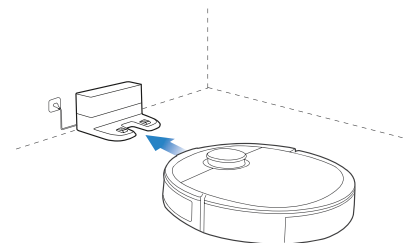
Note: **I** = ON, **O** = OFF.

! DEEBOT cannot be charged when being powered OFF.

3 Charge DEEBOT

Empty remaining water from the Reservoir and remove the Reservoir and the mopping pad plate before charging DEEBOT.

 flashes when DEEBOT is charging.  goes out when DEEBOT is fully charged.



* You can also purchase an Auto-Empty Station that automatically empties your DEEBOT's dustbin. Explore more accessories at www.ecovacs.com/global.

3. Operating and Programming/3.4 ECOVACS HOME App


To enjoy all available features, it is recommended to control your DEEBOT via the ECOVACS HOME app.

Before you start, make sure that:

- Your mobile phone is connected to a Wi-Fi network.
- The 2.4GHz band wireless signal is enabled on your router.
- The Wi-Fi indicator light on DEEBOT is slowly flashing.



Wi-Fi Indicator Light

	Slowly flashing	Disconnected to Wi-Fi or waiting for Wi-Fi connection
	Rapidly flashing	Connecting to Wi-Fi
	Solid	Connected to Wi-Fi

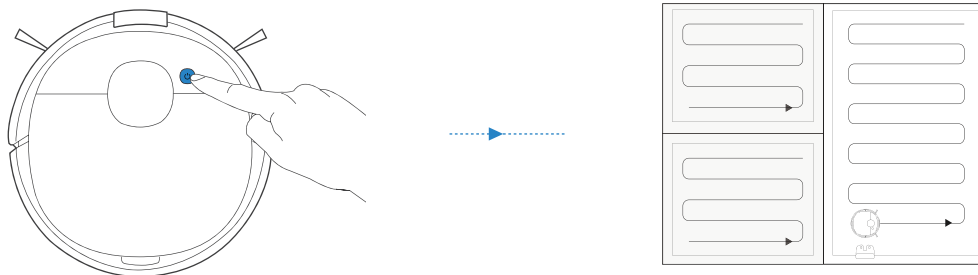
Tips:

If you have any problems during the Wi-Fi setup process, refer to the Troubleshooting > Wi-Fi Connection section in this manual.

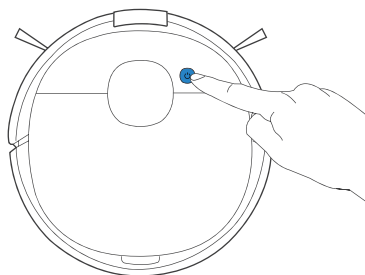
3. Operating and Programming/3.5 Operating DEEBOT

During the first cleaning, please supervise DEEBOT and assist it should there be a problem.


1 Start

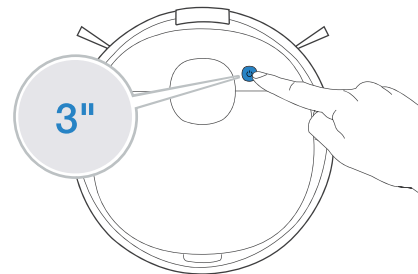


2 Pause



3 Return to Charge

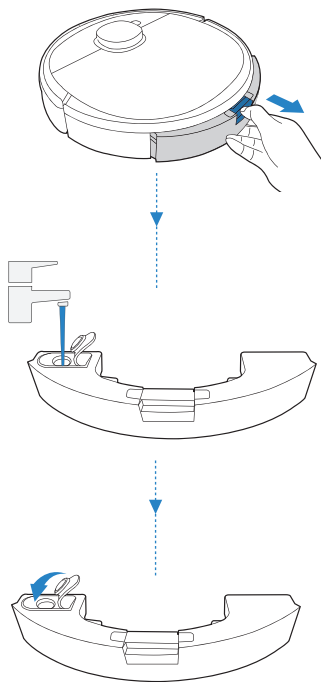
Pressing  for 3 seconds to send DEEBOT back to the Docking Station.



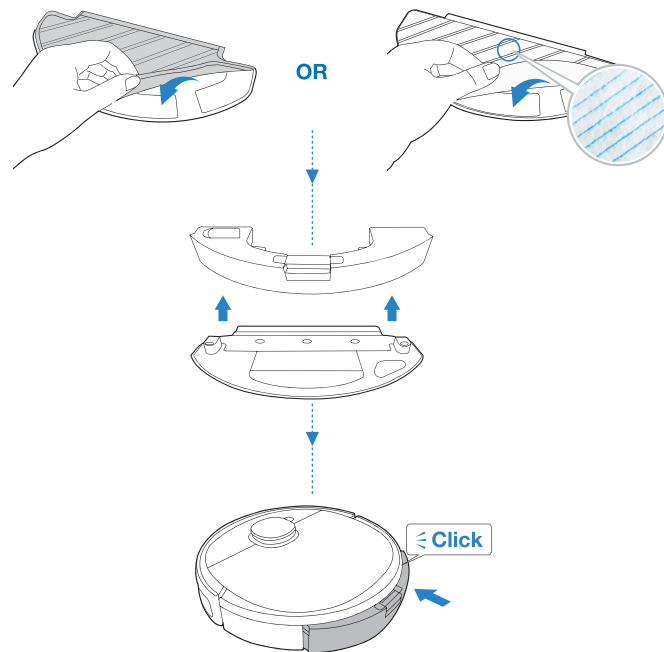
Note: The robot's Control Panel stops glowing after the robot is paused for a few minutes. Press the AUTO Mode Button on DEEBOT to wake up the robot.

3. Operating and Programming/3.6 OZMO Mopping System

1 **Note:** To prolong the service life of the reservoir, it is recommended to use purified water or softened water for OZMO mopping system.



2 **Note:** When DEEBOT is mopping, DEEBOT automatically detects the carpet and keeps away from it. If you need to clean the carpet, please uninstall the mopping pad plate first.



4. Maintenance/4.1 Regular Maintenance

To keep DEEBOT running at peak performance, perform maintenance tasks and replace parts with the following frequencies:

Robot Part	Maintenance Frequency	Replacement Frequency
Disposable Mopping Pad	/	Replace after each use
Washable Mopping Pad	After each use	Every 50 washes
Reservoir/Mopping Pad Plate	After each use	/
Side Brush	Once every 2 weeks	Every 3-6 months
Main Brush	Once per week	Every 6-12 months
Sponge Filter/ High Efficiency Filter	Once per week	Every 3-6 months
Universal Wheel Anti-Drop Sensors Bumper Charging Contacts Docking Station Pins	Once per week	/

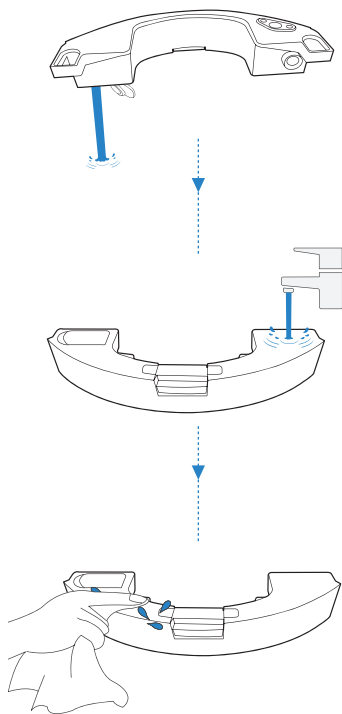
A multi-function Cleaning Tool is provided for easy maintenance. Handle with care, this cleaning tool has sharp edges.

Note: ECOVACS manufactures various replacement parts and fittings. Please contact Customer Service for more information on replacement parts.

4. Maintenance/4.2 OZMO Mopping System

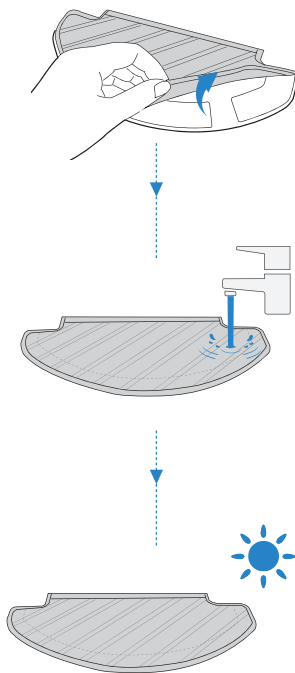
Before performing cleaning and maintenance tasks on DEEBOT, turn the robot OFF and unplug the Docking Station.

1

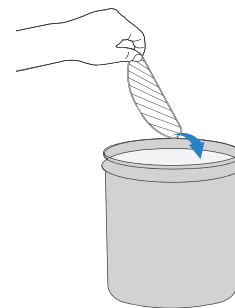


2

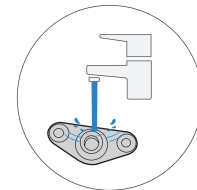
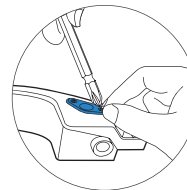
Washable Mopping Pad



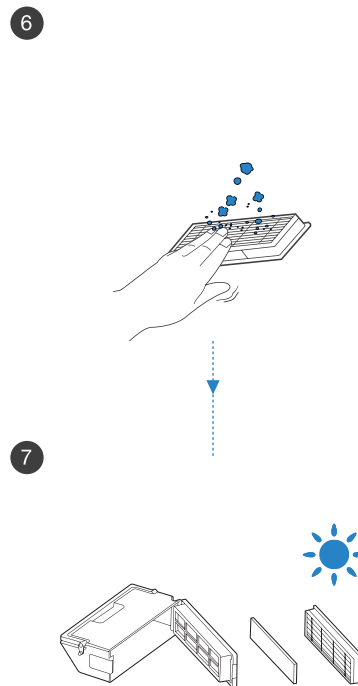
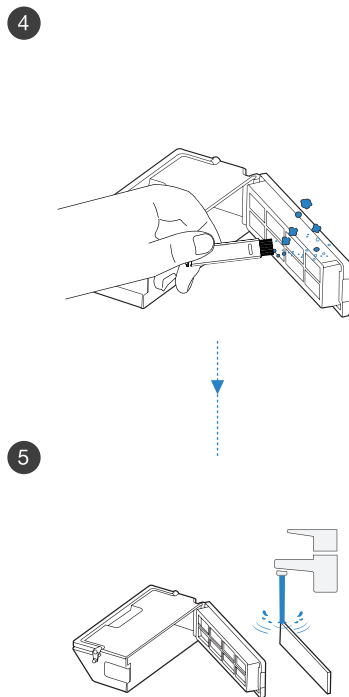
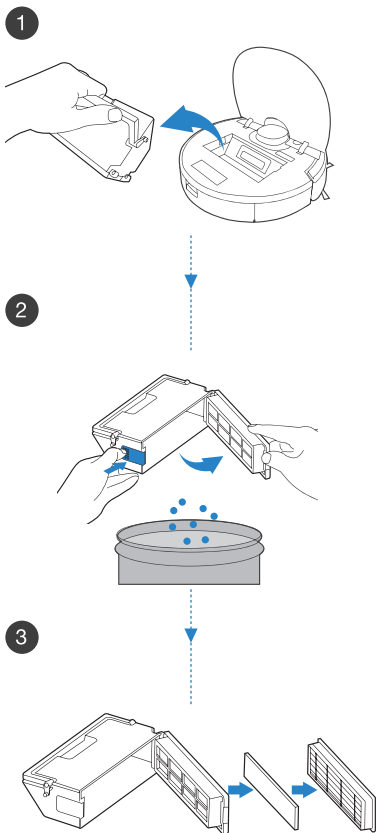
Disposable Mopping Pad



! Clean the water inlet filter on the bottom of the Reservoir if it is clogged.

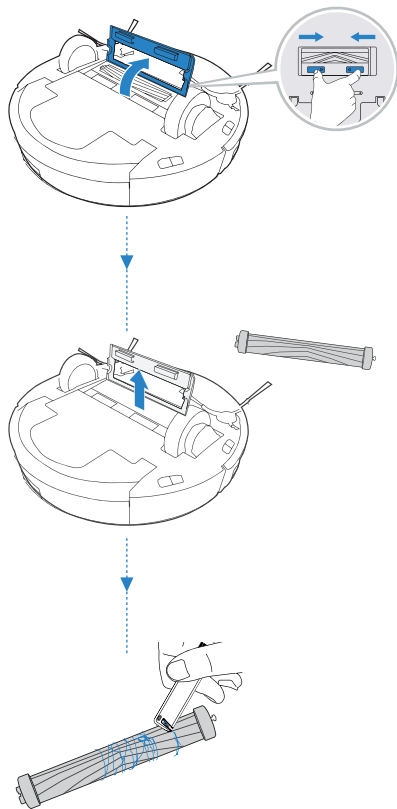


4. Maintenance/4.3 Dust Bin and Filters

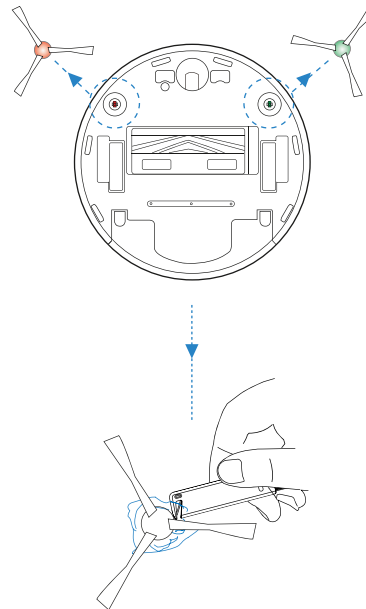


4. Maintenance/4.4 Main Brush and Side Brushes

Main Brush



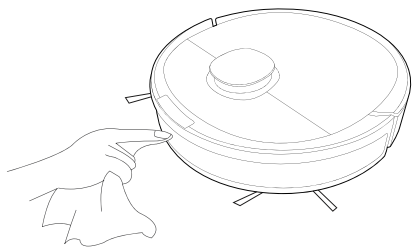
Side Brushes



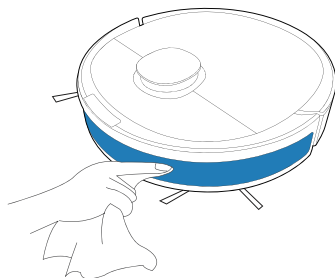
4. Maintenance/4.5 Other Components

Note: Before cleaning the robot's Charging Contacts and Docking Station Pins, turn the robot OFF and unplug the Docking Station.

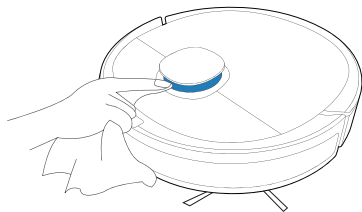
1



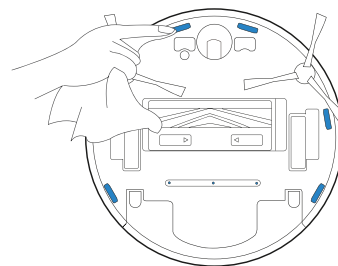
2



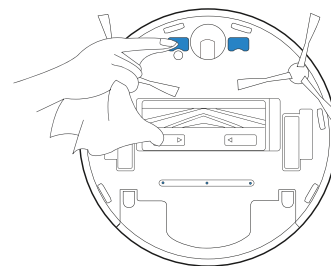
3



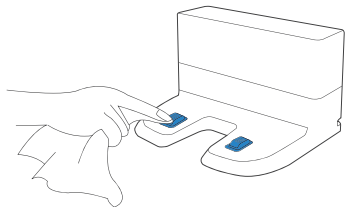
4



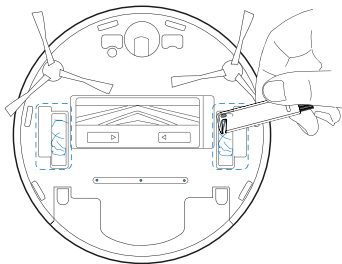
5



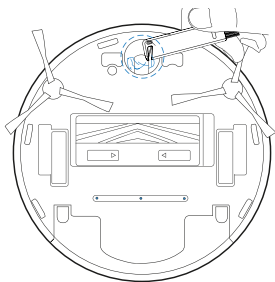
6



7

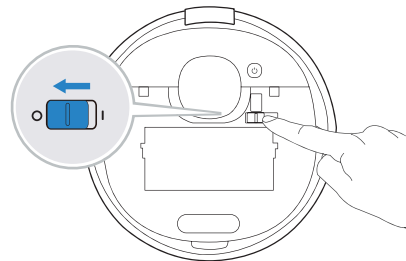


8



4. Maintenance/4.6 Storage

If DEEBOT will not be used for a while, fully charge DEEBOT and power OFF before storage. Charge DEEBOT every 1.5 month to prevent battery drain.



Note: When DEEBOT is not cleaning, it is recommended to keep DEEBOT powered ON and charging.

5. Indicator Light

DEEBOT will tell you something is wrong with an indicator light and voice report. More detailed support is available through the ECOVACS HOME and online website.

Indicator Light	Scenario
AUTO Mode Button glows a solid WHITE.	The robot is cleaning.
	The robot is paused while cleaning.
AUTO Mode Button flashes WHITE.	The robot is charging.
	The robot is starting.
	The robot is relocating.
AUTO Mode Button glows a solid RED.	The robot has low battery.
AUTO Mode Button flashes RED.	The robot has a problem.

6. Troubleshooting/6.1 Troubleshooting

No.	Malfunction	Possible Causes	Solutions
1	DEEBOT is not charging.	DEEBOT is not switched ON.	Switch ON DEEBOT.
		DEEBOT has not connected to the Docking Station.	Be sure that the robot's Charging Contacts have connected to the Docking Station Pins.
		The Power Cord is not connected to the Docking Station.	Make sure the Power Cord is firmly connected to the Docking Station.
		The Docking Station is not connected to the power supply.	Make sure the Docking Station is connected to the power supply.
		The battery is completely discharged.	Please contact Customer Care for help.
2	DEEBOT cannot return to the Docking Station.	The Docking Station is not correctly placed.	Refer to section 3.3 to correctly place the Docking Station.
		The Docking Station is not correctly connected.	Make sure the Docking Station is correctly connected.
		The Docking Station is manually moved during the cleaning.	It is suggested not to move the Docking Station during the cleaning.
		DEEBOT is paused for more than 90 minutes.	It is suggested not to pause DEEBOT for more than 90 minutes.
		DEEBOT did not start cleaning from the Docking Station.	Make sure DEEBOT starts cleaning from the Docking Station.
3	DEEBOT gets stuck while working and stops.	DEEBOT is tangled with something on the floor (electrical wires, curtains, carpet fringing, etc.).	DEEBOT will try various ways to free itself. If it is unsuccessful, manually remove the obstacles and restart.
		DEEBOT might be stuck under furniture with an entrance of similar height.	Please set a physical barrier, or set a Virtual Boundary in the ECOVACS HOME App.

No.	Malfunction	Possible Causes	Solutions
4	DEEBOT returns to the Docking Station before it has finished cleaning.	Working time varies according to floor surface, room complexity and the Cleaning Mode selected. When the battery gets low, DEEBOT automatically switches to Recharge Mode and returns to the Docking Station to recharge itself.	Turn on Continuous Cleaning function in ECOVACS HOME App. DEEBOT will automatically resume the uncompleted cleaning cycle when Continuous Cleaning is enabled.
		DEEBOT is unable to reach certain areas blocked by furniture or barriers.	Tidy up the area to be cleaned by putting furniture and small objects in their proper place.
		The Docking Station is too distant from the center of the house.	Please place the Docking Station against the wall of a central room of the house.
5	DEEBOT does not clean automatically at the scheduled time.	Time Scheduling function is cancelled.	Program DEEBOT to clean at specific times using the ECOVACS HOME App.
		DEEBOT is switched OFF.	Switch ON DEEBOT.
		The robot's battery is low.	Keep DEEBOT switched ON and connected to the Docking Station to make sure it has a full battery to work at any time.
6	The water is not coming out of the Reservoir when DEEBOT is mopping.	The water inlet filter on the bottom of Reservoir is clogged.	Unscrew the water inlet on the bottom of Reservoir and clean the filter as described in Section 4.2.
		The Reservoir runs out of water.	Add water into the Reservoir.
		The water outlets on the bottom of DEEBOT are clogged.	Check the water outlets on the bottom and clean.

No.	Malfunction	Possible Causes	Solutions
7	DEEBOT misses cleaning spots to be cleaned, or repeats cleaning the area cleaned.	The cleaning cycle is interfered by small objects or barriers on the floor.	Remove power cords and small objects from the floor to ensure cleaning efficiency. DEEBOT will automatically clean the area missed, please avoid moving DEEBOT manually or block the path during the cleaning cycle.
		DEEBOT is working on slippery polished floors.	Make sure the floor wax is dried before DEEBOT starts cleaning.
		DEEBOT is unable to reach certain areas blocked by furniture or barriers.	Tidy up the area to be cleaned by putting furniture and small objects in their proper place.
		The TrueMapping Distance Sensor is blocked.	Remove the objects that are blocking the TrueMapping Distance Sensor.
8	DEEBOT is making too much noise when cleaning.	DEEBOT is tangled or blocked with debris.	Clean DEEBOT as described in section 4 Maintenance and restart. If the trouble persists, please contact Customer Care.
9	DEEBOT is not able to connect to the home Wi-Fi network.	Incorrect home Wi-Fi username or password entered.	Enter the correct home Wi-Fi username and password.
		Incorrect App installed.	Please download and install ECOVACS HOME App.
		DEEBOT is not within range of your home Wi-Fi signal.	Make sure DEEBOT is within range of your home Wi-Fi signal.
		Network setup started before DEEBOT was ready.	Turn ON Power Switch. Press the RESET Button. DEEBOT is ready for network setup when its Wi-Fi Indicator light flashes slowly.
DEEBOT does not support 5 GHz Wi-Fi.	Make sure the robot has been connected with 2.4 GHz Wi-Fi network.		
10	DEEBOT does not clean the whole area.	The cleaning area is not tidy.	Remove small objects from the floor and tidy up the cleaning area before DEEBOT starts cleaning.
11	DEEBOT reservoir drops out of place during use.	The reservoir is not correctly installed.	Make sure DEEBOT reservoir clicks into place when installing.
12	DEEBOT Side Brushes drop out of place during use.	The Side Brushes are not correctly installed.	Make sure the Side Brushes click into place when installing.

6. Troubleshooting/6.2 Wi-Fi Connection

Before Wi-Fi setup, make sure DEEBOT, mobile phone, and Wi-Fi network meet the following requirements.

DEEBOT and Mobile Phone Requirements

- DEEBOT is fully charged and the power switch of DEEBOT is turned on.
- Wi-Fi status light slowly flashes.
- Turn off mobile phone's cellular data (you can turn it back on after setup).

Wi-Fi Network Requirements

- You are using a 2.4GHz or 2.4/5 GHz mixed network.
- Your router supports 802.11b/g/n and IPv4 protocol.
- Do not use a VPN (Virtual Private Network) or Proxy Server.
- Do not use a hidden network.
- WPA and WPA2 using TKIP, PSK, AES/CCMP encryption.
- WEP EAP (Enterprise Authentication Protocol) is not supported.
- Use Wi-Fi channels 1-11 in North America and channels 1-13 outside North America (refer to local regulatory agency).
- If you are using a network extender/repeater, the network name (SSID) and password are the same as your primary network.

7. Technical Specifications

Model	DLN26			
Rated Input	20V === 1A			
Docking Station Model	CH1822		CH1918 (Sold Separately)	
	Input	100-240V ~ 50-60Hz 0.5A	Rated Input (Charging)	220-240V ~ 50-60Hz 0.3A
	Output	20V === 1A	Rated Output	20V === 1A
	/		Power (Auto-Emptying)	1000W
Frequency bands	2400-2483.5MHz			
Off Mode Power	Less than 0.50W			
Networked Standby Power	Less than 2.00W			

Output power of the Wi-Fi module is less than 100mW.

Note: Technical and design specifications may be changed for continuous product improvement.

Ecovacs Robotics Co., Ltd

No.518 Songwei Road, Wusongjiang industry Park, Guoxiang Street,
Wuzhong District, Suzhou, Jiangsu, China.